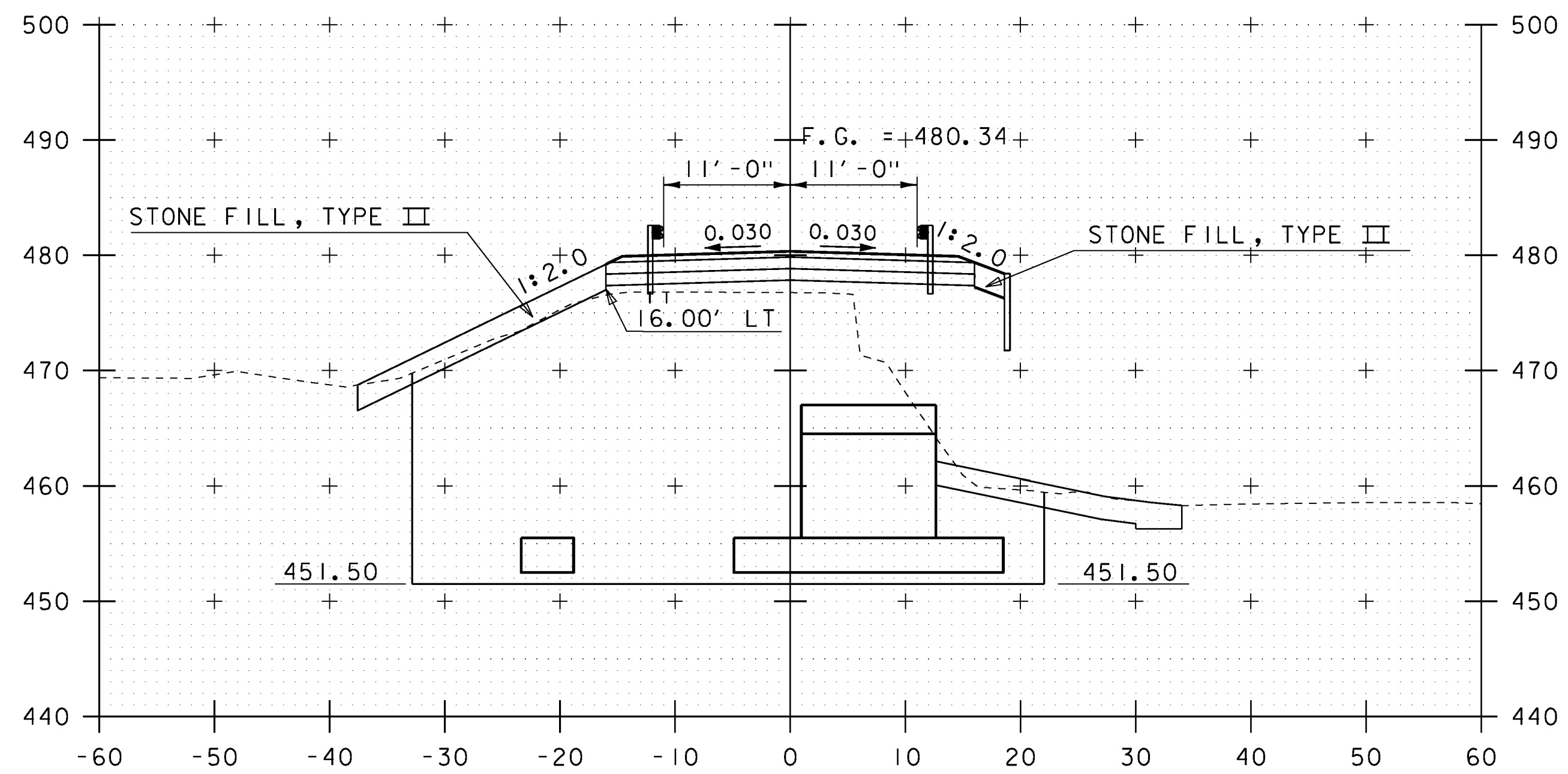
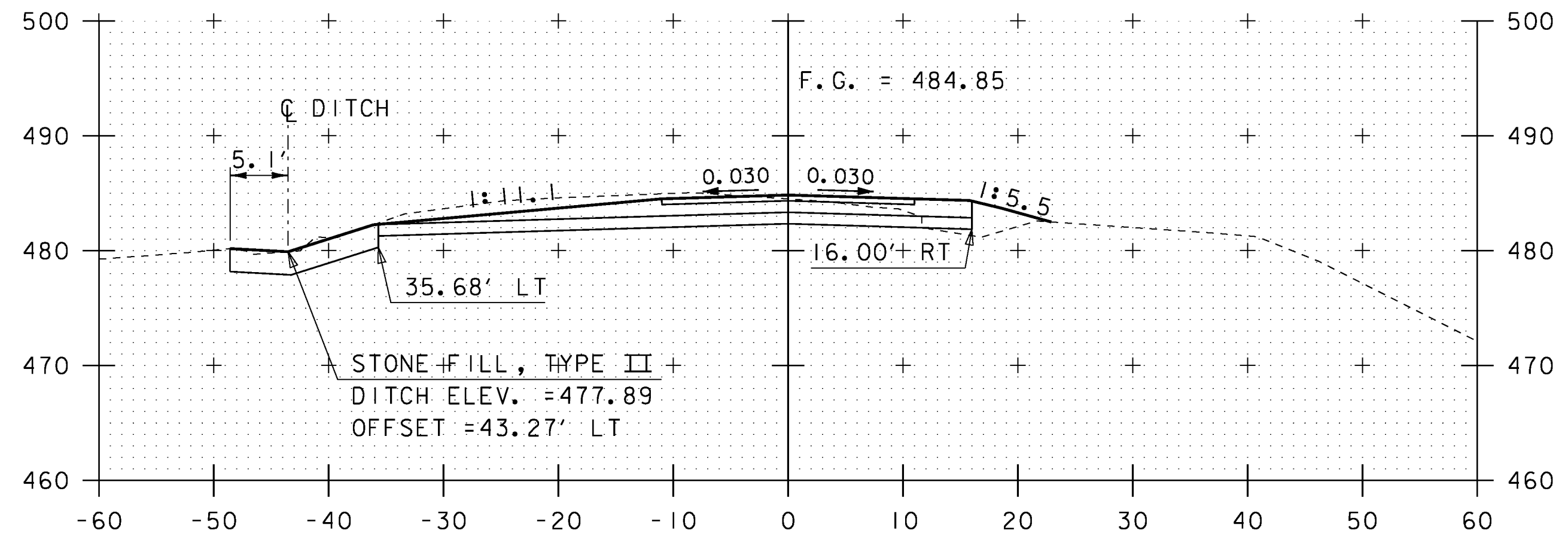


14+25

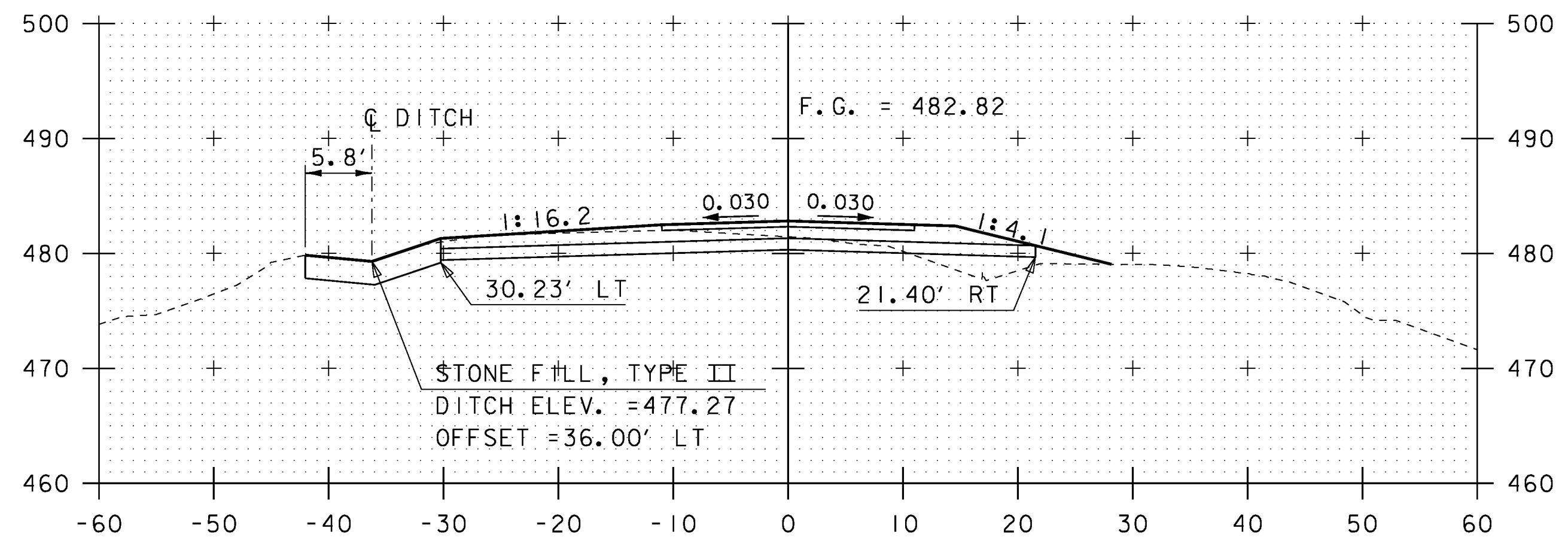


14+00

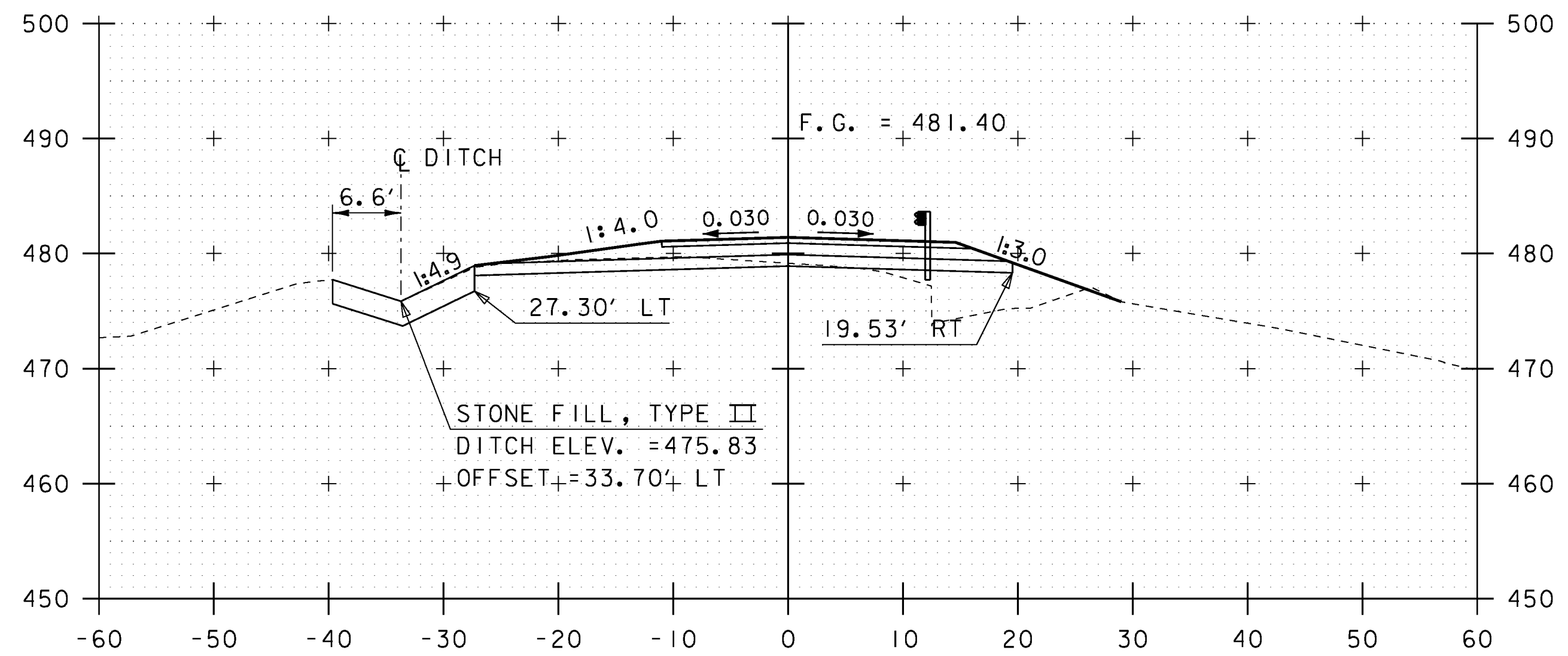
END BRIDGE
STA 13+96.84



15+00



14+75



14+50

SCALE 1" = 10'-0"

STA. 14+00 TO STA. 15+00



PROJECT NAME: FAIRFIELD
PROJECT NUMBER: BRO 1448(38)

FILE NAME: z11j072_xsl.dgn
PROJECT LEADER: D. LANDRY
DESIGNED BY: E. ALEXOPOULOS
ROADWAY CROSS SECTIONS (4 OF 6)

PLOT DATE: 01-NOV-2013
DRAWN BY: W. GAYNOR
CHECKED BY: T. KENDRICK
SHEET 37 OF 41