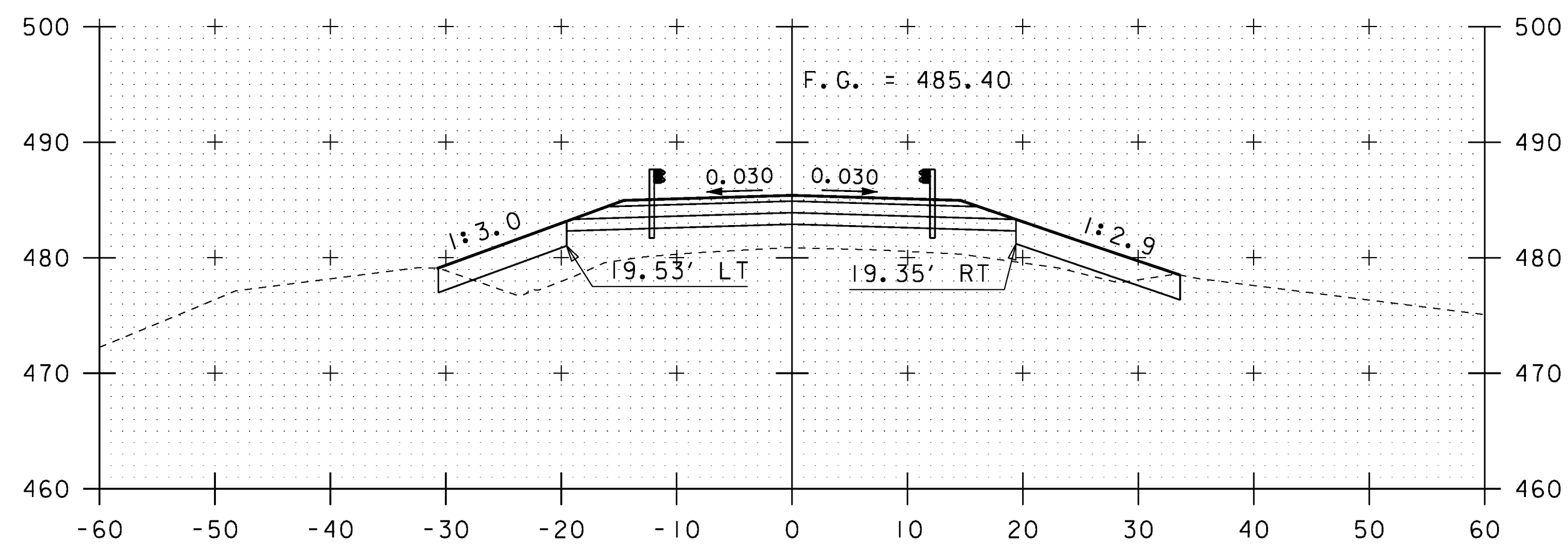
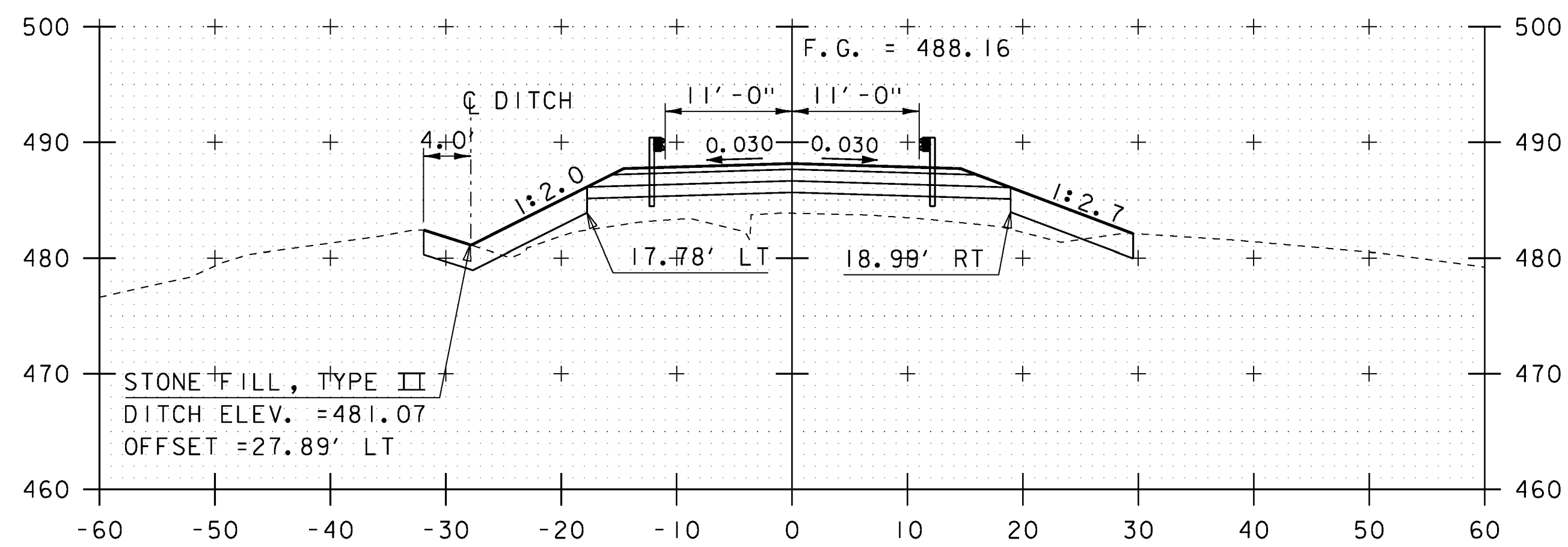


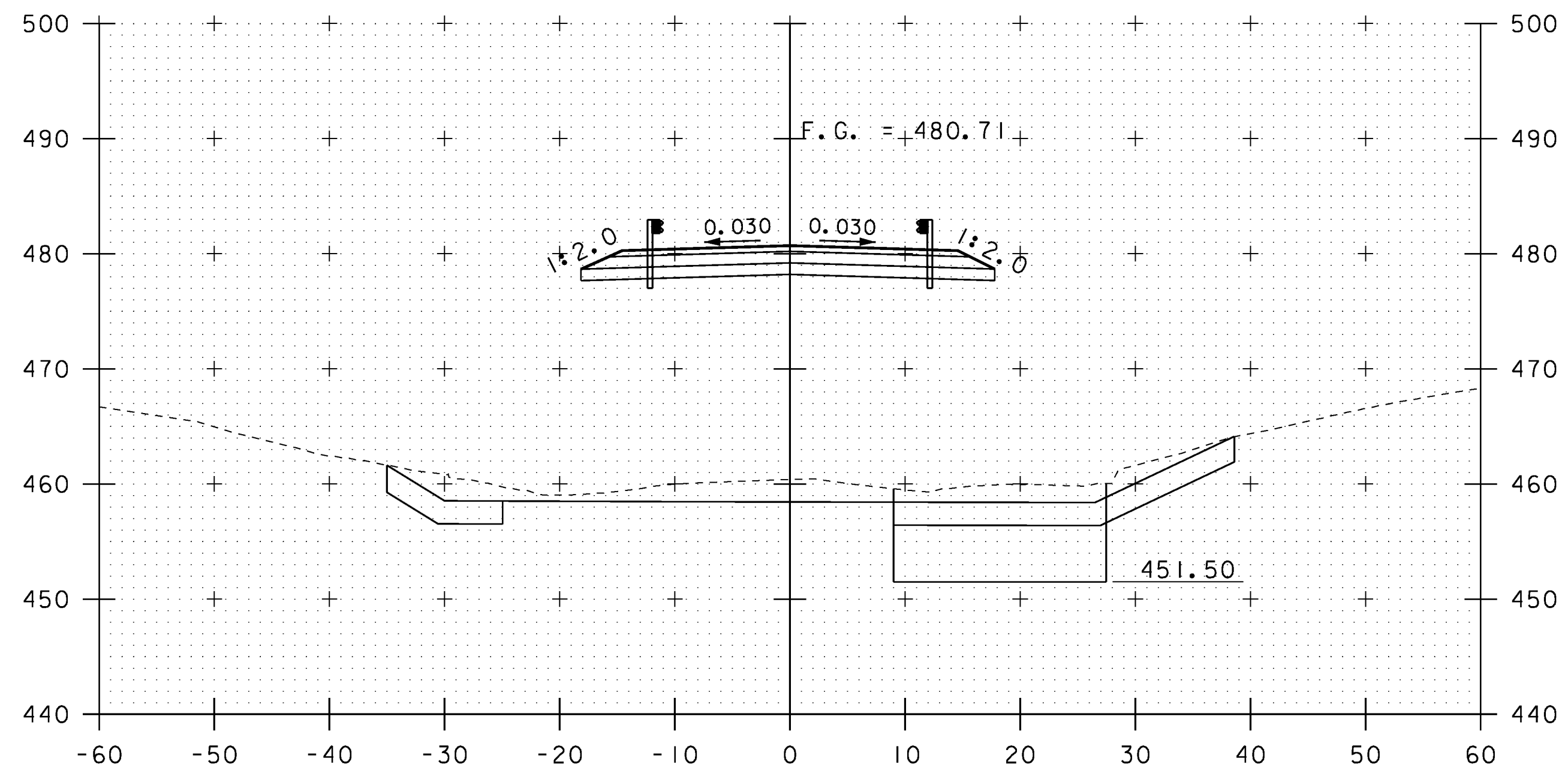
13+25



13+00

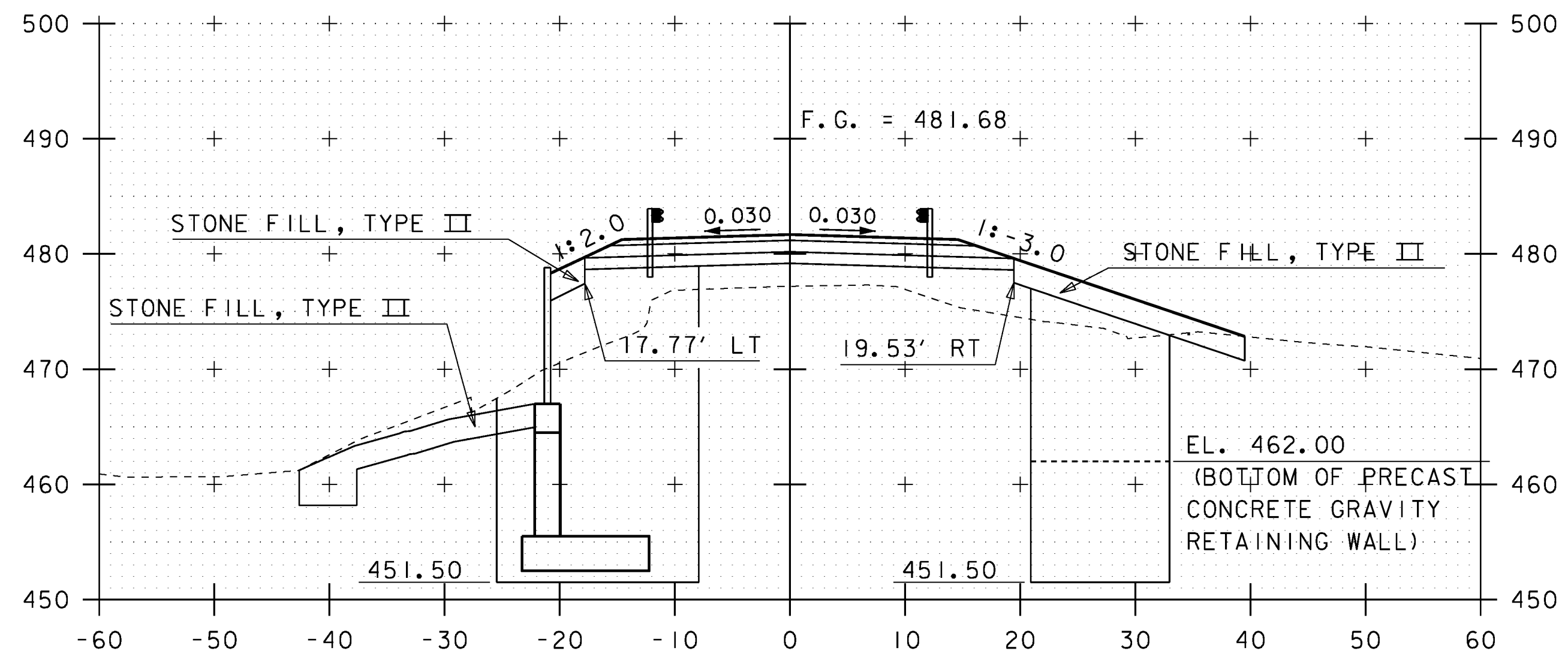


12+75



13+75

BEGIN BRIDGE
STA 13+60.66



13+50

SCALE 1" = 10'-0"
10 0 10

STA. 12+75 TO STA. 13+75



PROJECT NAME: FAIRFIELD
PROJECT NUMBER: BRO 1448(38)

FILE NAME: z11j072_xsl.dgn
PROJECT LEADER: D. LANDRY
DESIGNED BY: E. ALEXOPOULOS
ROADWAY CROSS SECTIONS (3 OF 6)

PLOT DATE: 01-NOV-2013
DRAWN BY: W. GAYNOR
CHECKED BY: T. KENDRICK
SHEET 36 OF 41