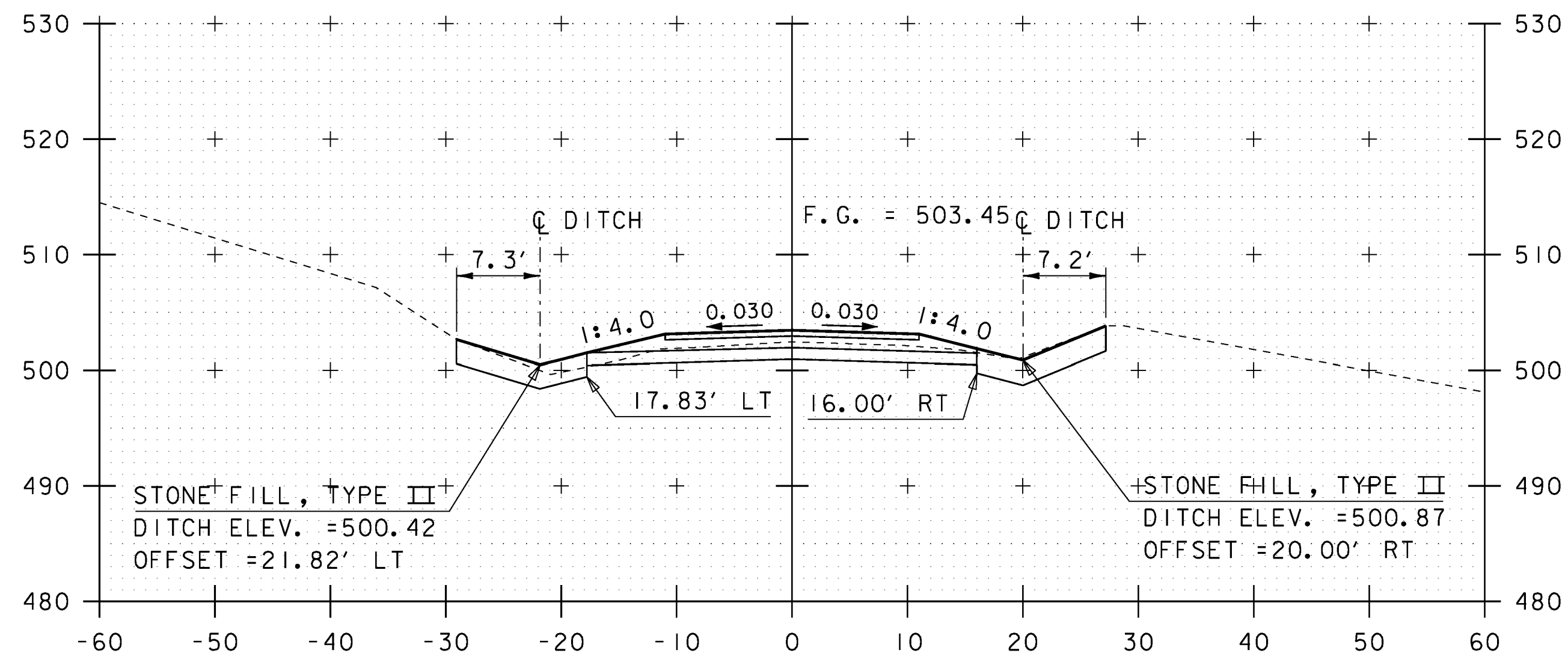
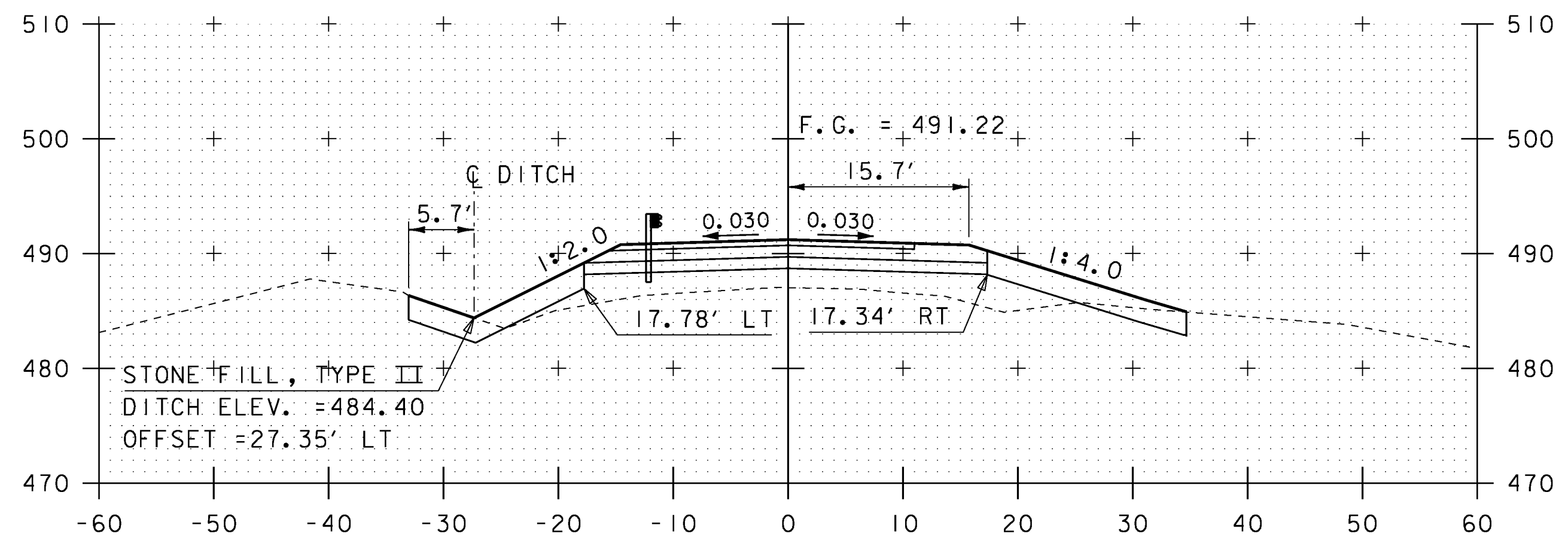


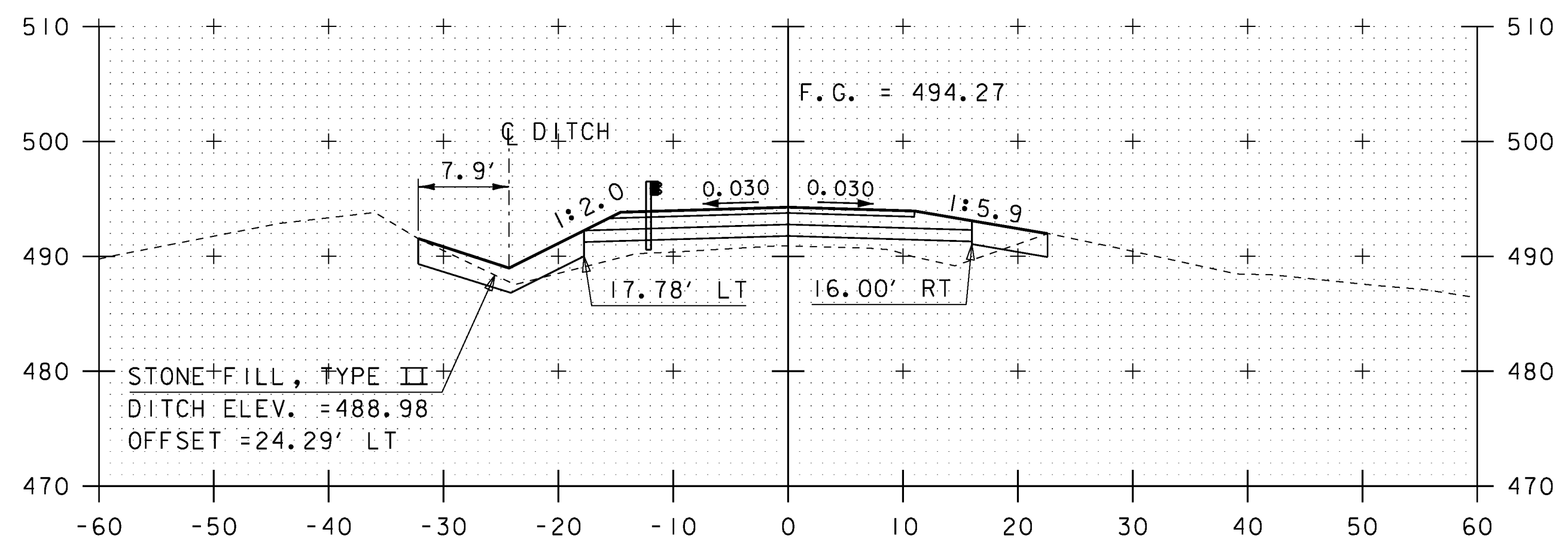
11+75



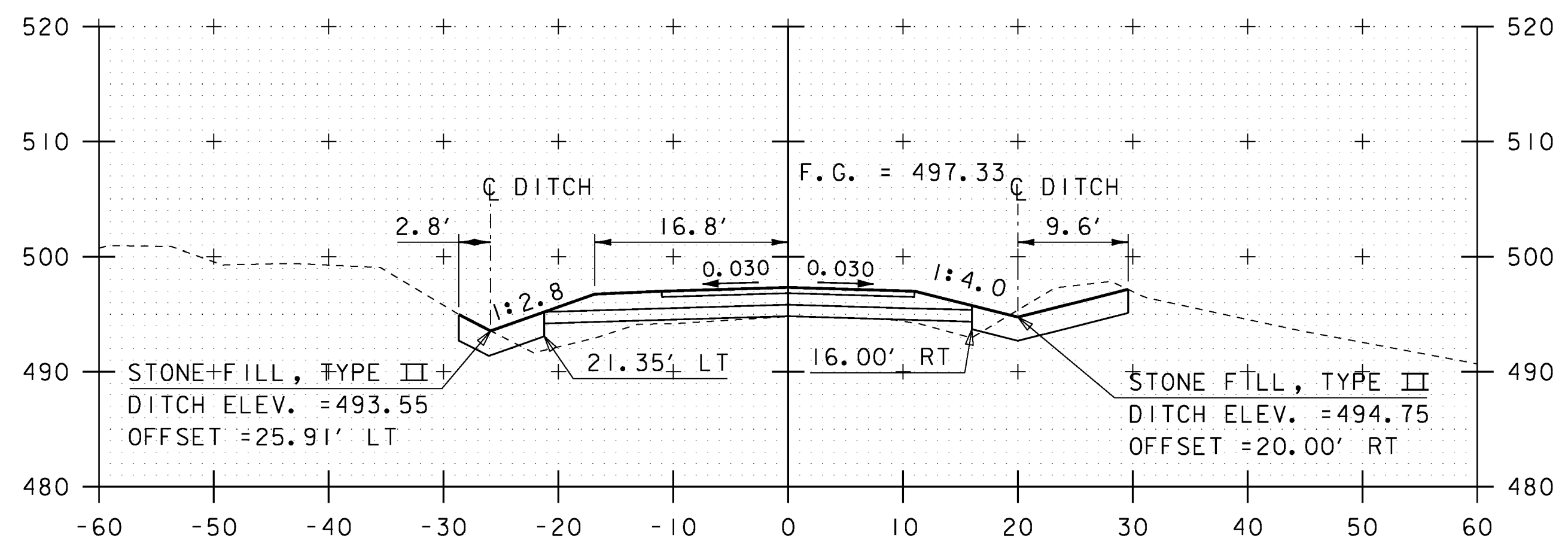
11+50



12+50



12+25



12+00

SCALE 1" = 10'-0"

STA. 11+50 TO STA. 12+50



PROJECT NAME: FAIRFIELD
PROJECT NUMBER: BRO 1448(38)

FILE NAME: z11j072_xsl.dgn
PROJECT LEADER: D. LANDRY
DESIGNED BY: E. ALEXOPOULOS
ROADWAY CROSS SECTIONS (2 OF 6)

PLOT DATE: 01-NOV-2013
DRAWN BY: W. GAYNOR
CHECKED BY: T. KENDRICK
SHEET 35 OF 41