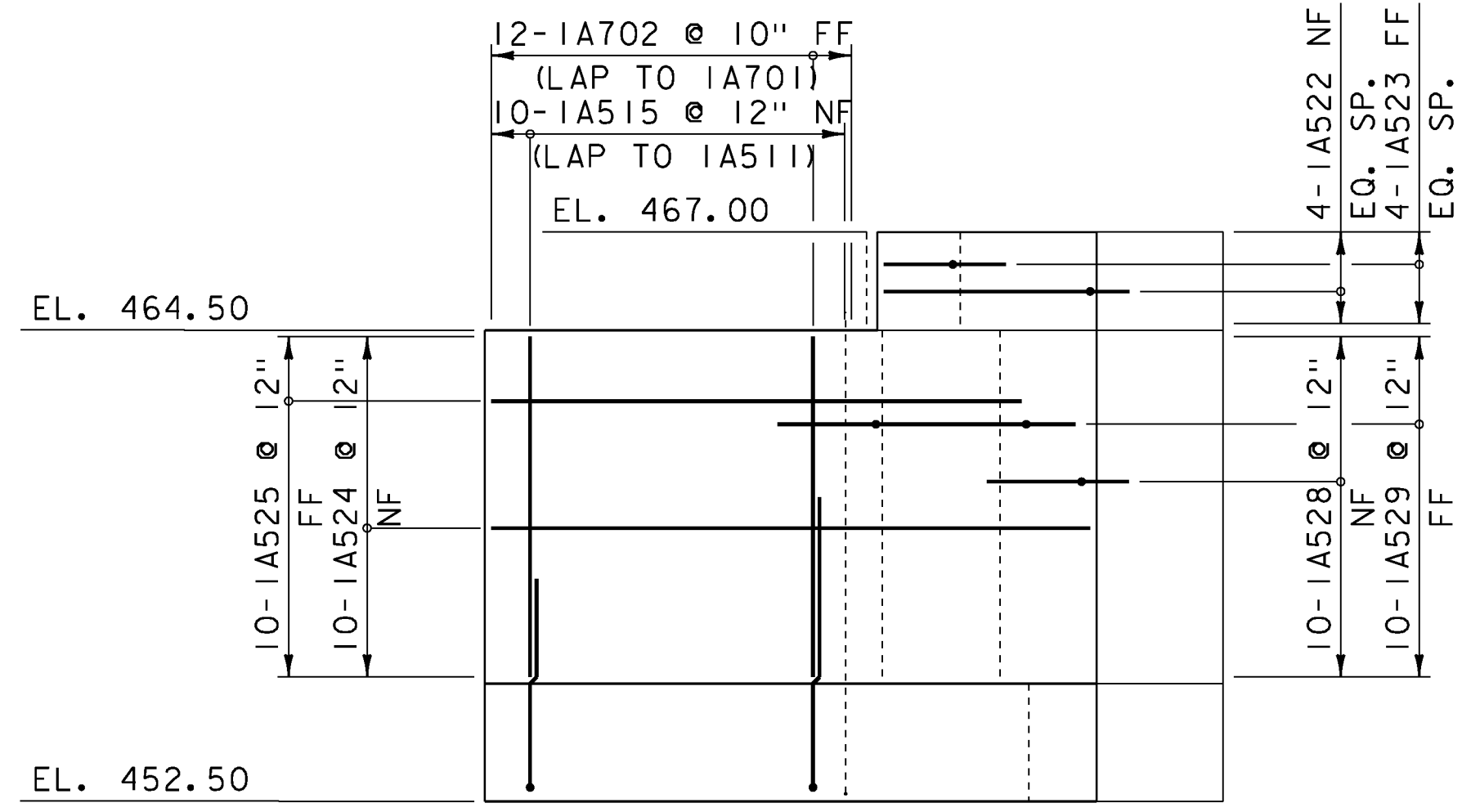
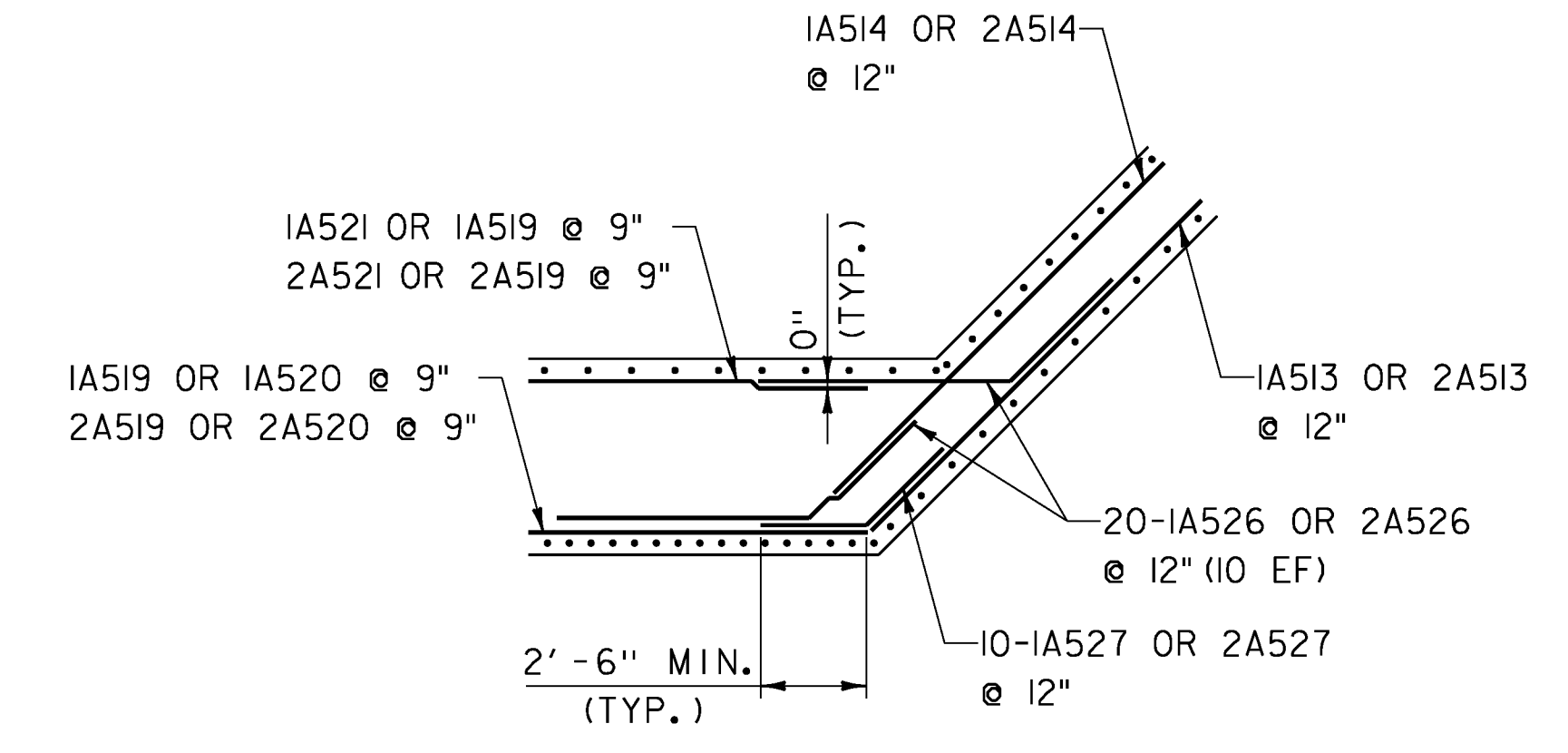


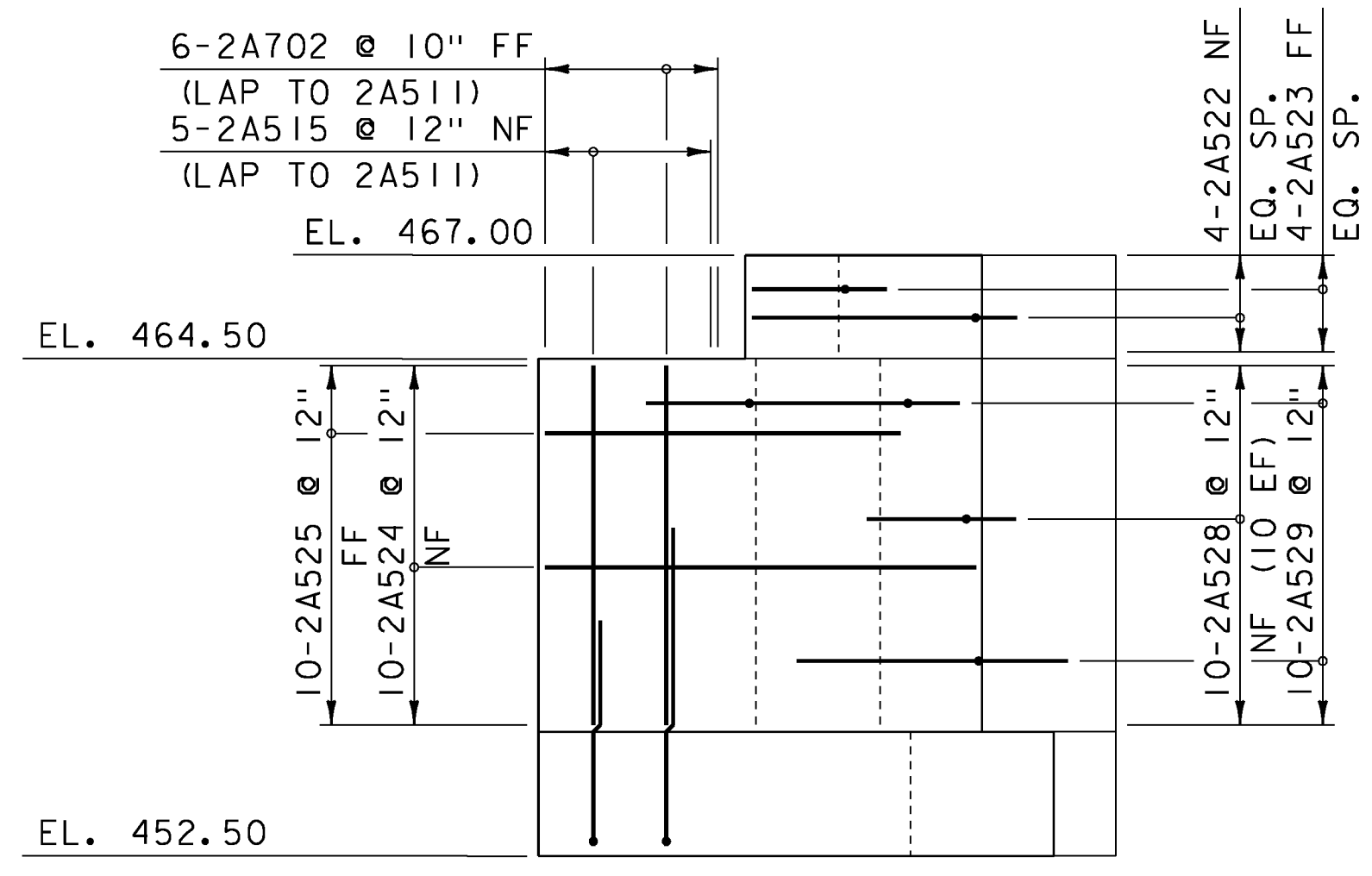
WINGWALL NO. 1 ELEVATION
SCALE: 1/4" = 1'-0"



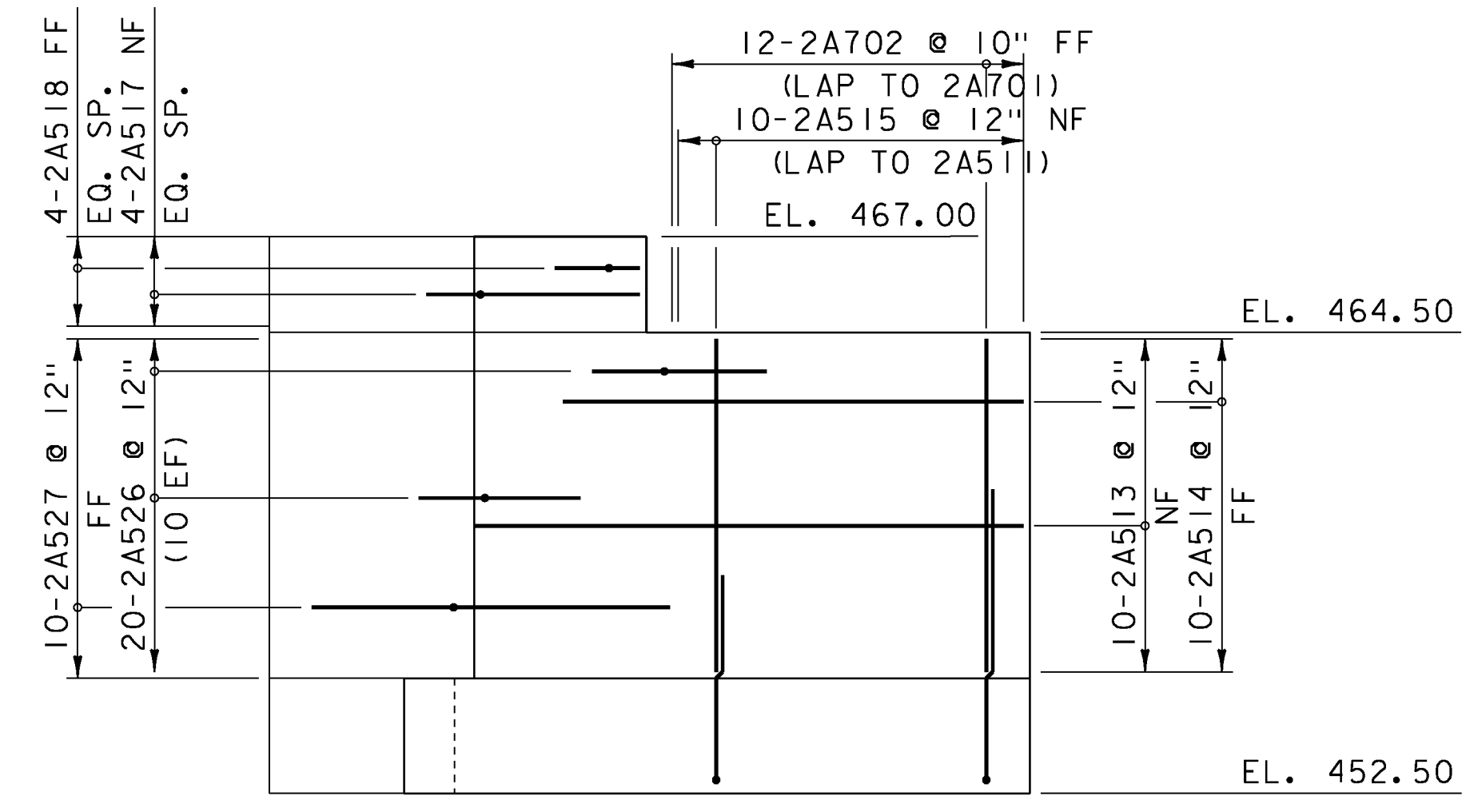
WINGWALL NO. 2 ELEVATION
SCALE: 1/4" = 1'-0"



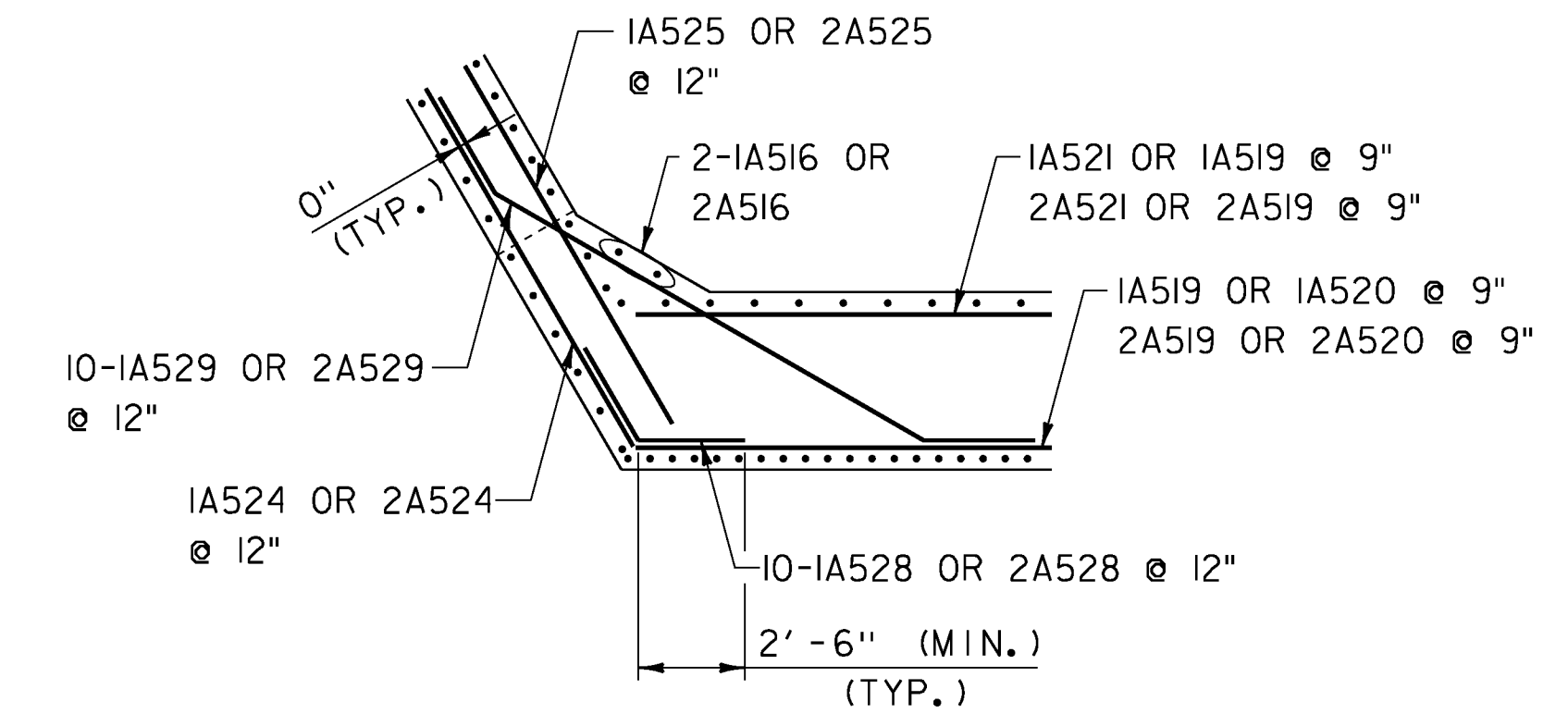
**WINGWALLS NO. 1 & NO. 4
CORNER DETAIL**
SCALE: 1/4" = 1'-0"



WINGWALL NO. 3 ELEVATION
SCALE: 1/4" = 1'-0"



WINGWALL NO. 4 ELEVATION
SCALE: 1/4" = 1'-0"



**WINGWALLS NO. 2 & NO. 3
CORNER DETAIL**
SCALE: 1/4" = 1'-0"

NOTE:
NF = NEAR FACE
FF = FAR FACE
EF = EACH FACE
▲ = CUT TO FIT IN FIELD
3" CLEAR, UNLESS OTHERWISE SPECIFIED ON THE PLANS.
2'-2" BAR LAP UNLESS OTHERWISE SPECIFIED ON THE PLANS.

PROJECT NAME: FAIRFIELD	PLOT DATE: 01-NOV-2013
PROJECT NUMBER: BRO 1448(38)	DRAWN BY: P. DUSTIN
FILE NAME: z11j072sub1.dgn	CHECKED BY: T. KENDRICK
PROJECT LEADER: D. LANDRY	SHEET 31 OF 41
DESIGNED BY: T. TRAVER	
WINGWALL DETAILS	

