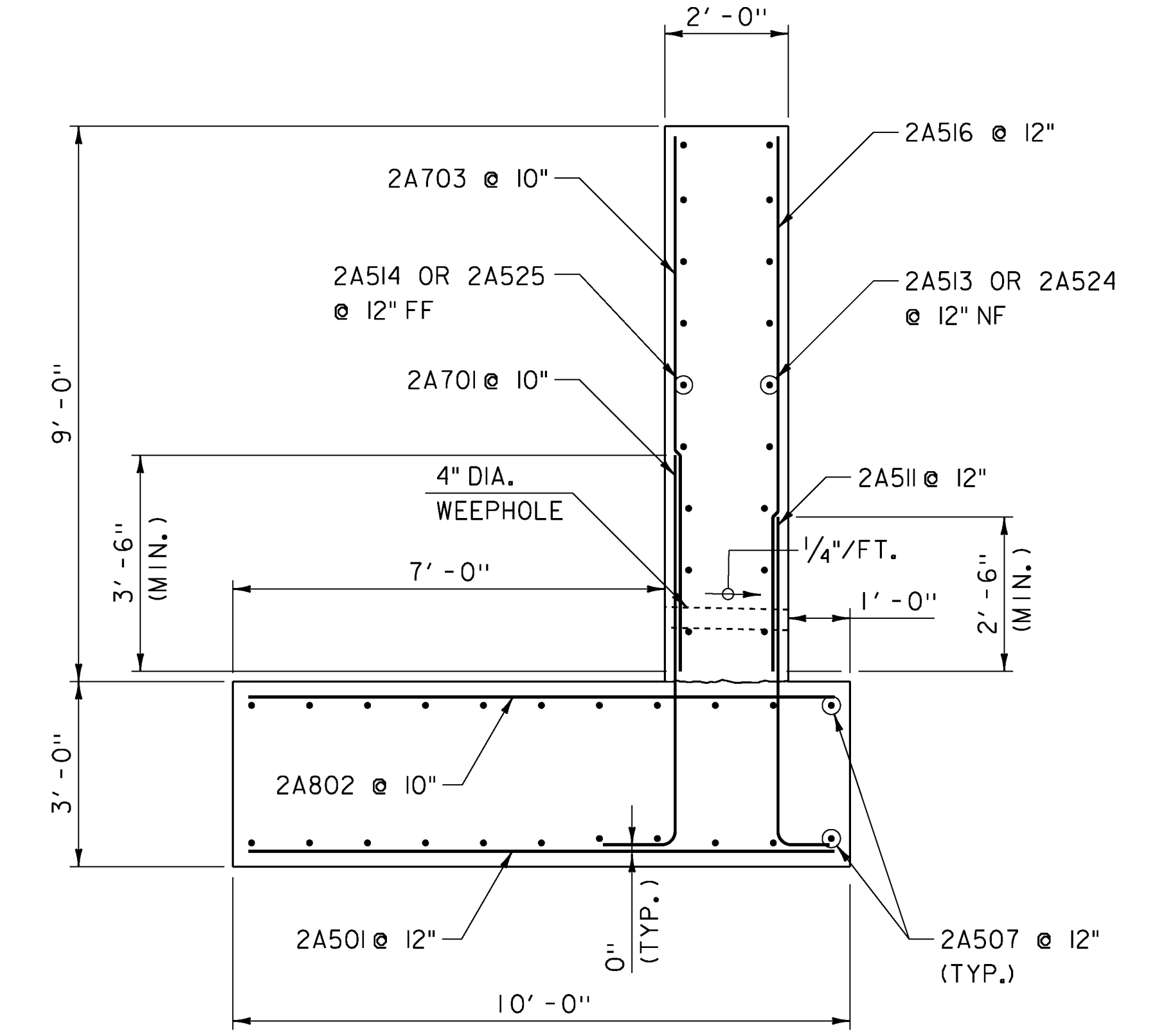
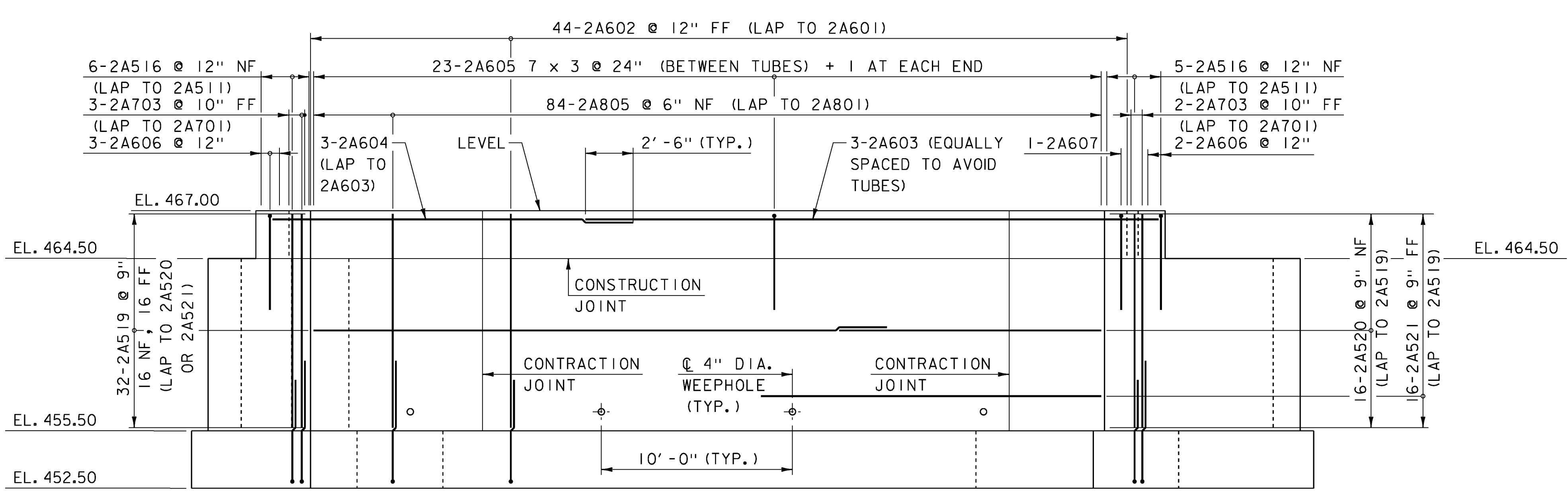


ABUTMENT NO. 2 PLAN
SCALE: 1/4" = 1'-0"



ABUTMENT NO. 2 WINGWALL TYPICAL SECTION
ABUTMENT NO. 1 WINGWALL TYPICAL SECTION SIMILAR



ABUTMENT NO. 2 ELEVATION
SCALE: 1/4" = 1'-0"

NOTE:
 NF = NEAR FACE
 FF = FAR FACE
 EF = EACH FACE
 ▲ = CUT TO FIT IN FIELD
 3" CLEAR, UNLESS OTHERWISE SPECIFIED ON THE PLANS.
 2'-2" BAR LAP UNLESS OTHERWISE SPECIFIED ON THE PLANS.

NOTES
 1. FOR TYPICAL ABUTMENT SECTION, SEE SHEET 29.

PROJECT NAME: FAIRFIELD	PLOT DATE: 01-NOV-2013
PROJECT NUMBER: BRO 1448(38)	DRAWN BY: P. DUSTIN
FILE NAME: z11j072sub2.dgn	CHECKED BY: T. KENDRICK
PROJECT LEADER: D. LANDRY	SHEET 30 OF 41
DESIGNED BY: T. TRAVER	
ABUTMENT NO. 2 DETAILS	

