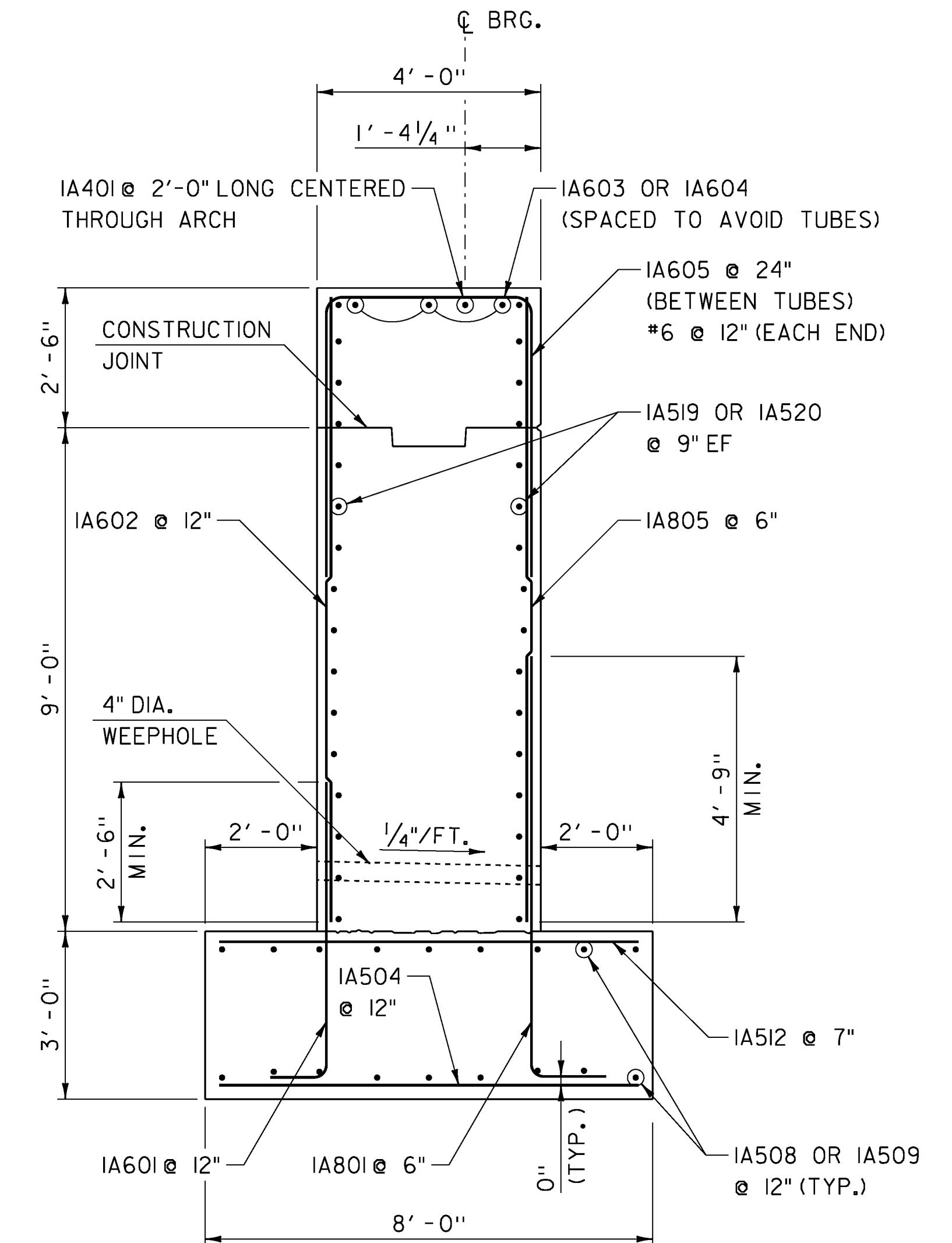


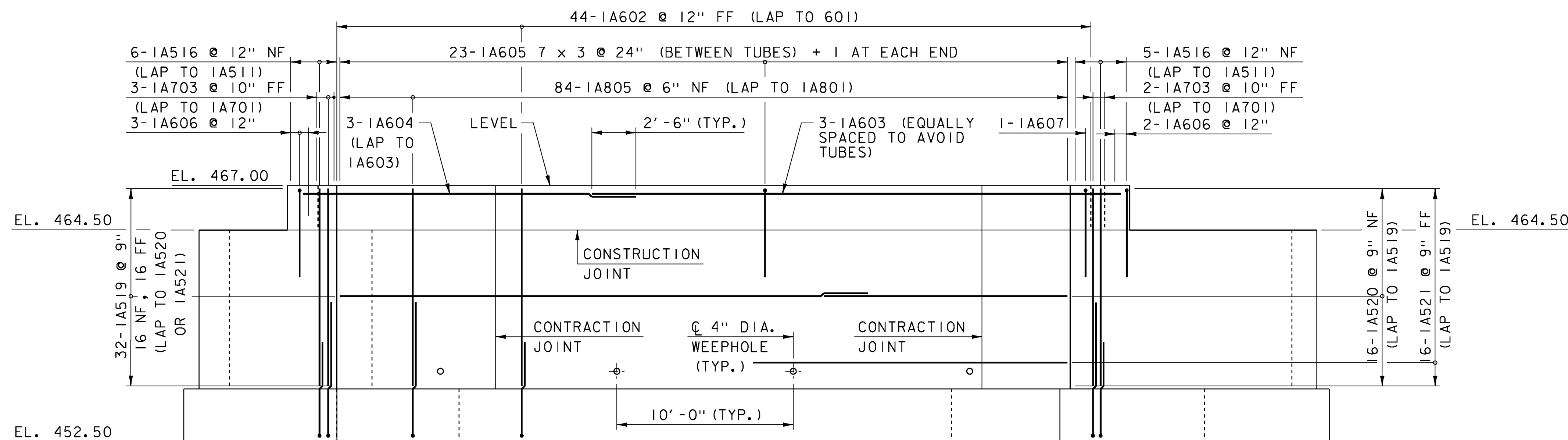
ABUTMENT NO. 1 PLAN

SCALE: 1/4" = 1'-0"



ABUTMENT NO. 1 TYPICAL SECTION

ABUTMENT NO. 2 SIMILAR
SCALE: 1/2" = 1'-0"



ABUTMENT NO. 1 ELEVATION

SCALE: 1/4" = 1'-0"

NOTE:

- NF = NEAR FACE
- FF = FAR FACE
- EF = EACH FACE
- ▲ = CUT TO FIT IN FIELD
- 3" CLEAR, UNLESS OTHERWISE SPECIFIED ON THE PLANS.
- 2'-2" BAR LAP UNLESS OTHERWISE SPECIFIED ON THE PLANS.

NOTES

1. FOR TYPICAL WINGWALL SECTION, SEE SHEET 30.

PROJECT NAME: FAIRFIELD
PROJECT NUMBER: BRO 1448(38)

FILE NAME: z11j072sub1.dgn
PROJECT LEADER: D. LANDRY
DESIGNED BY: T. TRAVER
ABUTMENT NO. 1 DETAILS

PLOT DATE: 01-NOV-2013
DRAWN BY: P. DUSTIN
CHECKED BY: T. KENDRICK
SHEET 29 OF 41

