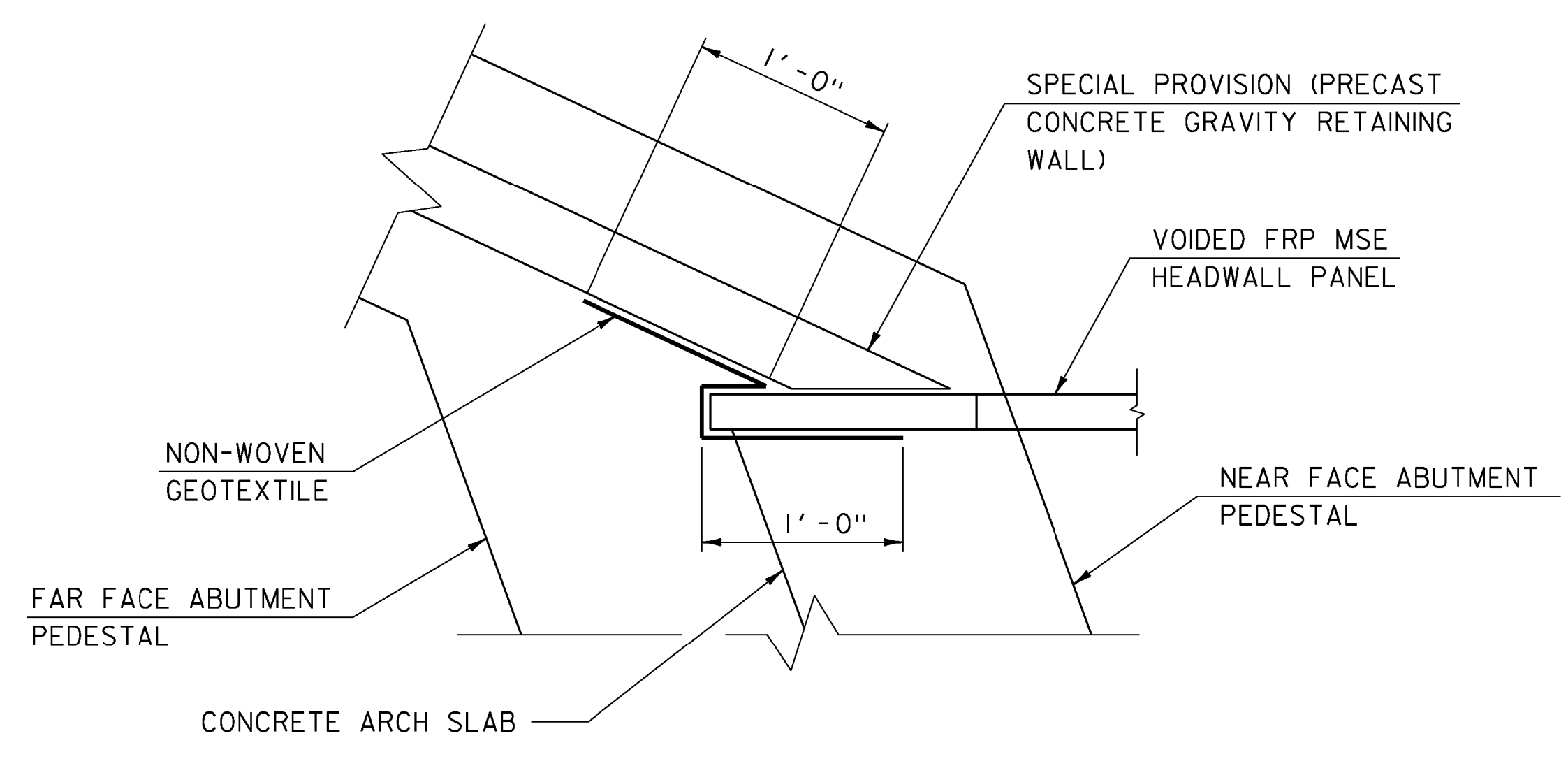
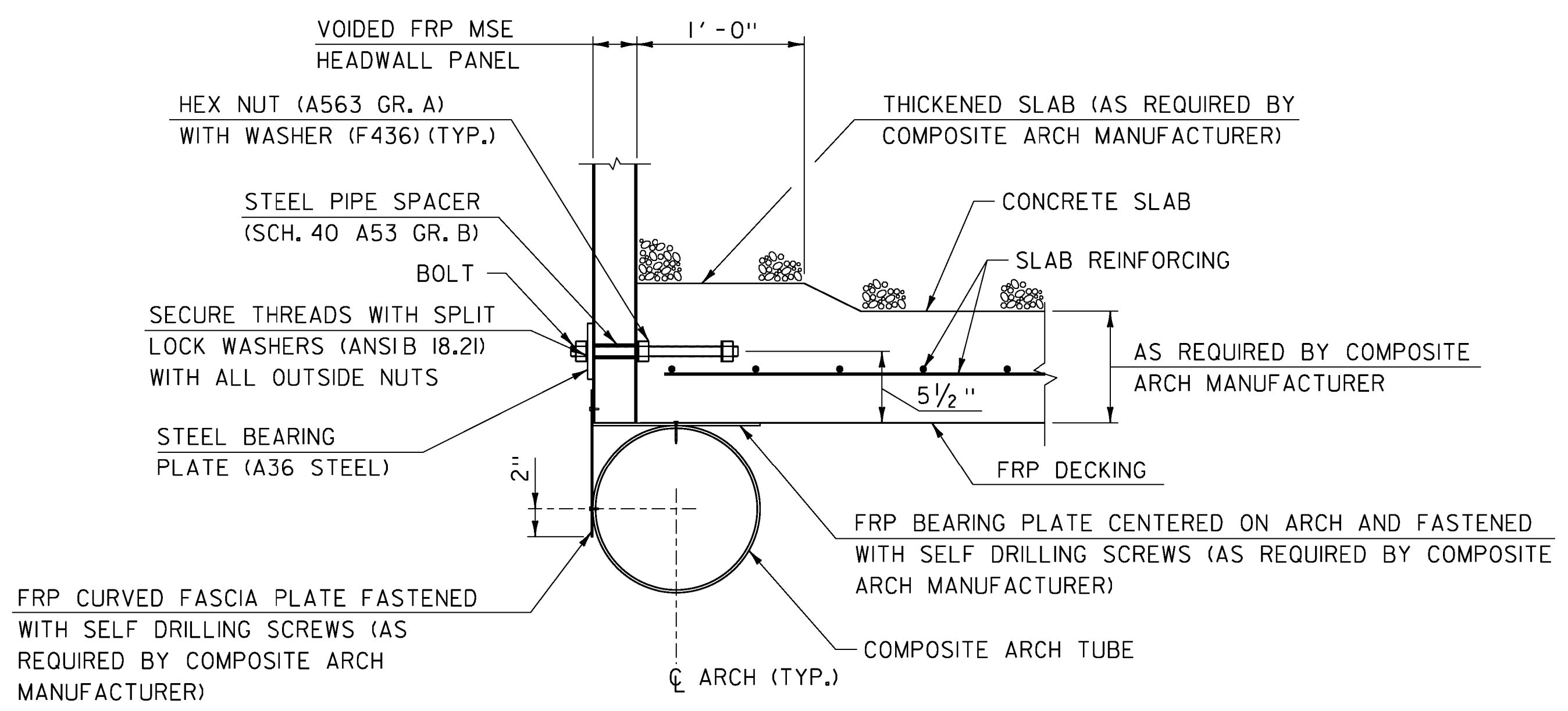


**TYPICAL FRP MSE HEADWALL SECTION**  
SCALE 1 1/2" = 1'-0"

\* COST INCLUDED IN SPECIAL PROVISION (FRP MECHANICALLY STABILIZED EARTH ARCH HEADWALLS)



**FILTER FABRIC CORNER DETAIL**  
NOT TO SCALE



**TYPICAL FASCIA DETAIL**  
SCALE 1 1/2" = 1'-0"

NOTE: UNDERDRAIN ITEMS NOT SHOWN FOR CLARITY

**NOTES**

- 1. DETAILS SHOWN ON THIS SHEET ARE CONCEPTUAL. FINAL DETAILS TO BE PROVIDED BY THE MANUFACTURER FOR VTRANS APPROVAL.

PROJECT NAME:	FAIRFIELD
PROJECT NUMBER:	BRO 1448(38)
FILE NAME:	z11j072supl.dgn
PROJECT LEADER:	D. LANDRY
DESIGNED BY:	E. ALEXOPOULOS
COMPOSITE ARCH SUPERSTURCTURE (2 OF 2)	SHEET 27 OF 41
PLOT DATE:	01-NOV-2013
DRAWN BY:	W. GAYNOR
CHECKED BY:	T. KENDRICK

