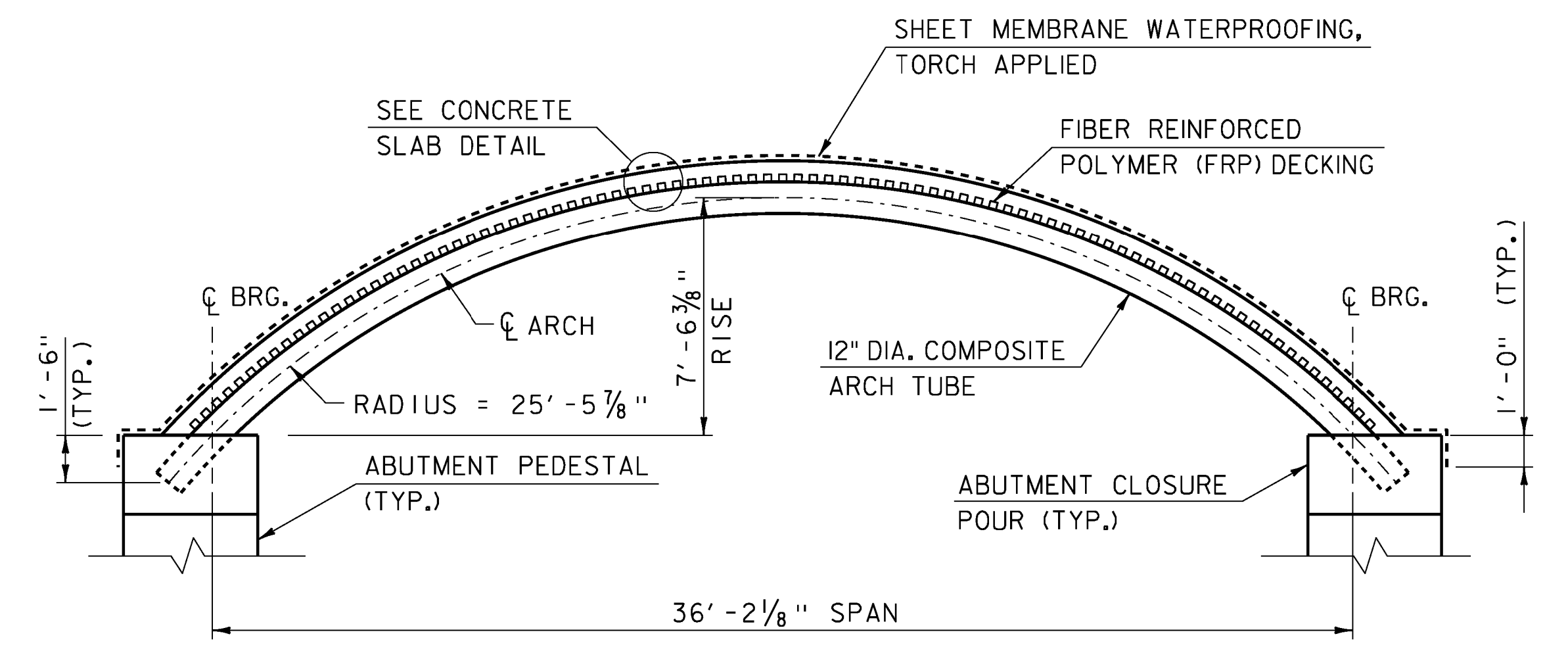
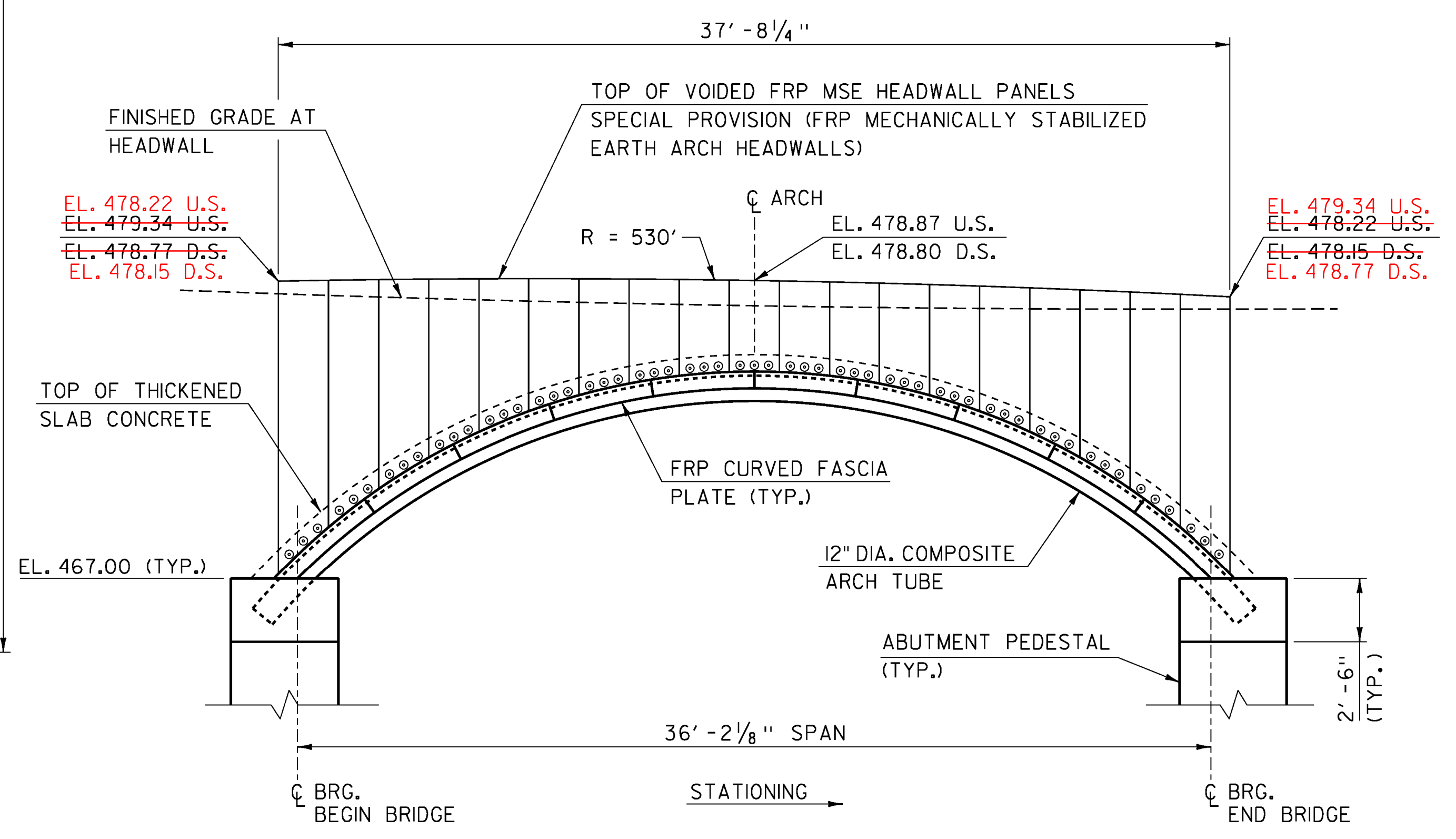


**ARCH SUPERSTRUCTURE PLAN**  
SCALE 1/4" = 1'-0"

CHANGE TO 9 ARCH TUBES WITH CO #1 AND MANUFACTURER DESIGN SUBMITTAL. SEE SHOP DRAWINGS INCLUDED.

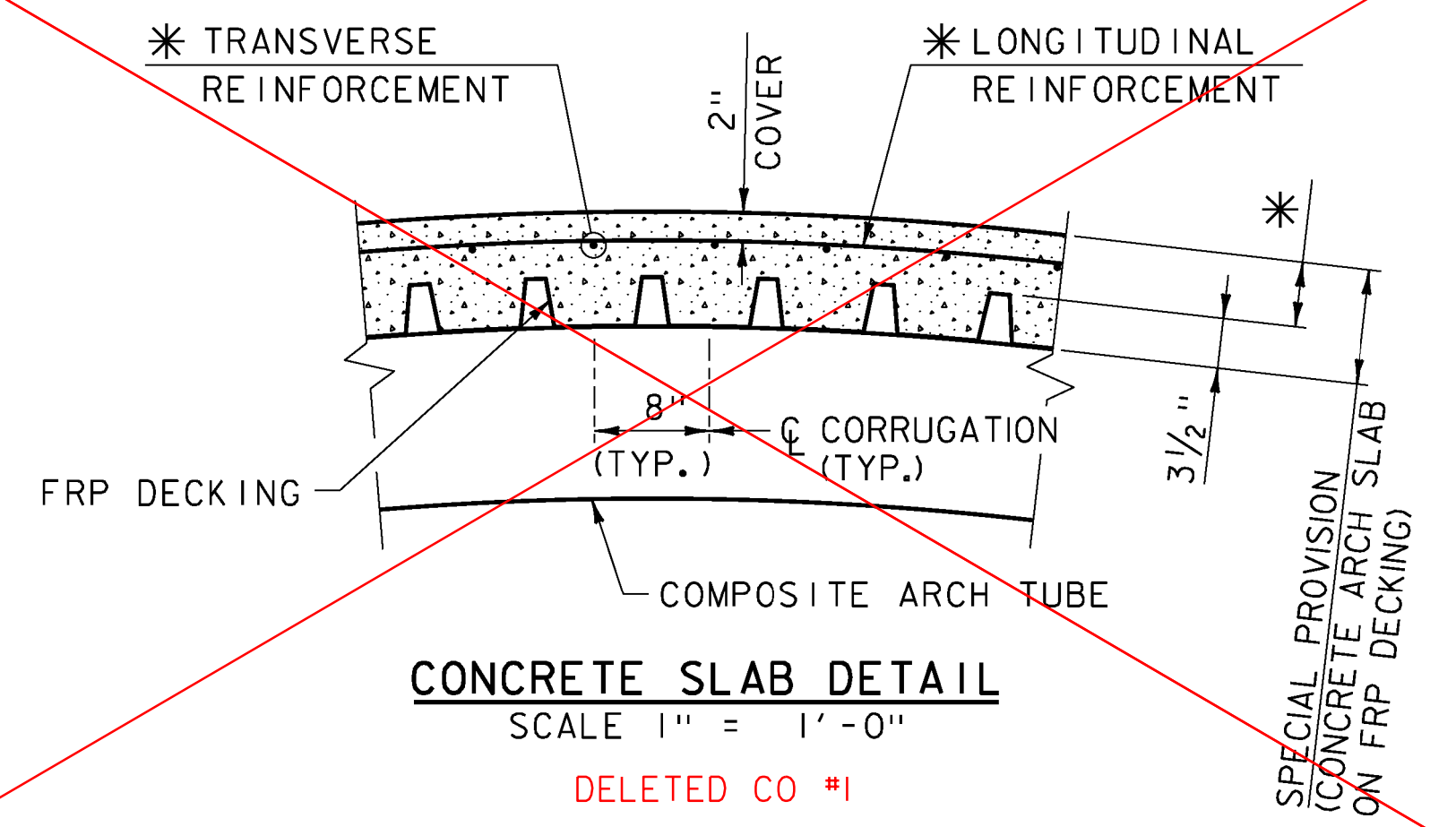


**ARCH ELEVATION**  
SCALE 1/4" = 1'-0"



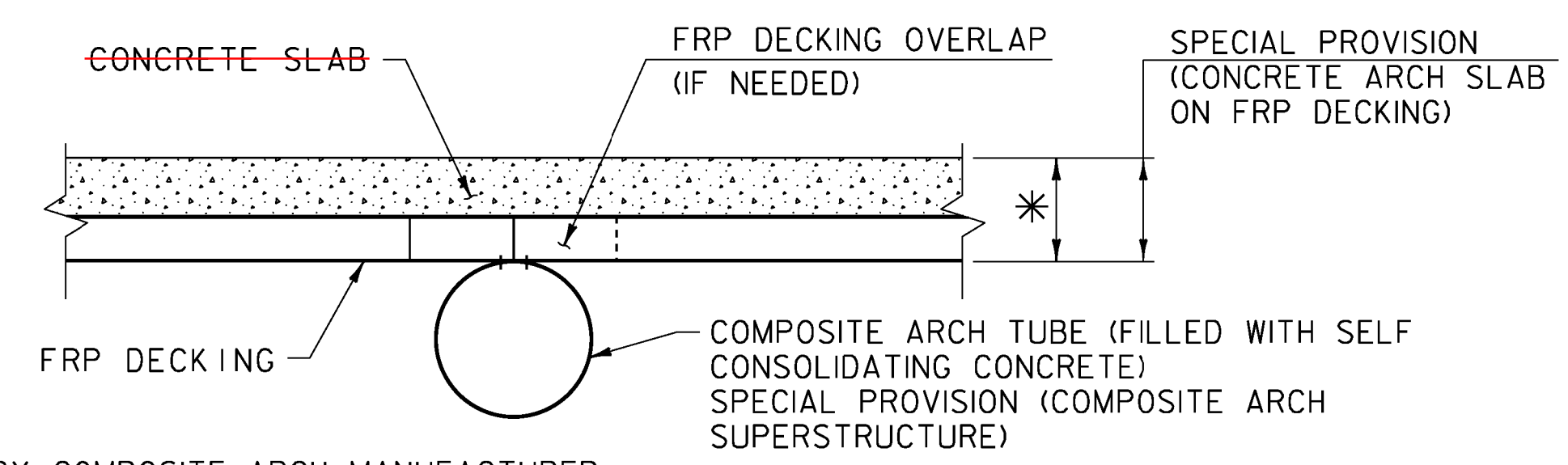
**HEADWALL ELEVATION**  
SCALE 1/4" = 1'-0"

NOTE:  
U.S. = UPSTREAM  
D.S. = DOWNSTREAM



**CONCRETE SLAB DETAIL**  
SCALE 1" = 1'-0"

DELETED CO #1



**DECKING SPLICE DETAIL**  
SCALE 1" = 1'-0"

\* AS REQUIRED BY COMPOSITE ARCH MANUFACTURER



PROJECT NAME: FAIRFIELD	PLOT DATE: 01-NOV-2013
PROJECT NUMBER: BRO 1448(38)	DRAWN BY: W. GAYNOR
FILE NAME: z11j072frm_01.dgn	DESIGNED BY: E. ALEXOPOULOS
PROJECT LEADER: D. LANDRY	CHECKED BY: T. KENDRICK
COMPOSITE ARCH SUPERSTRUCTURE (1 OF 2)	SHEET 26 OF 41