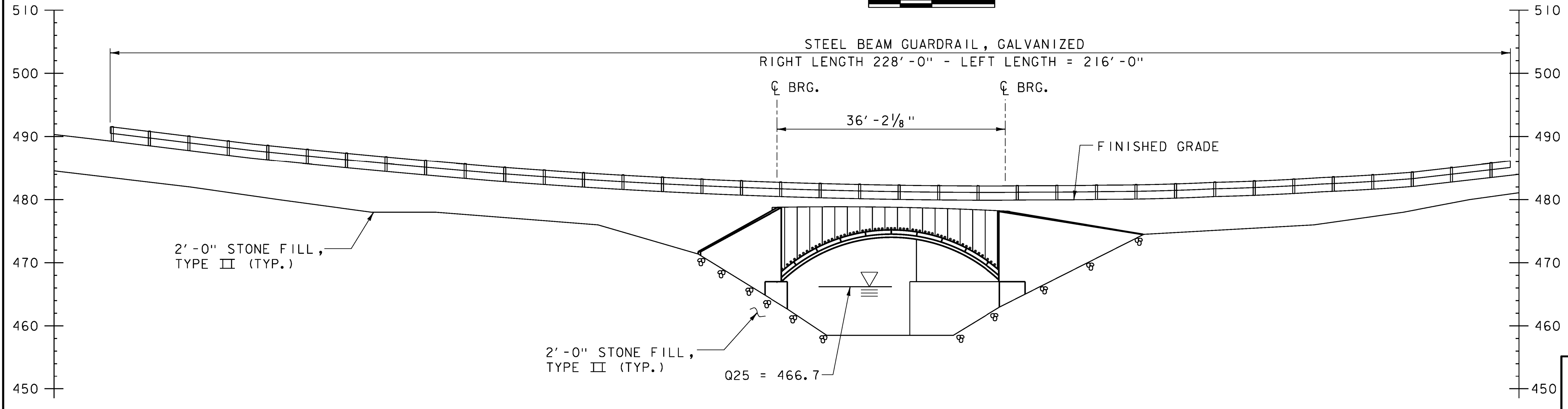


**PLAN**  
SCALE 1" = 10'-0"  
10 0 10



**ELEVATION**  
SCALE 1" = 10'-0"  
10 0 10

PROJECT NAME: FAIRFIELD	PLOT DATE: 01-NOV-2013
PROJECT NUMBER: BRO 1448(38)	DRAWN BY: W. GAYNOR
FILE NAME: z1j072pe_01.dgn	CHECKED BY: T. KENDRICK
DESIGNED BY: E. ALEXOPOULOS	PLAN AND ELEVATION
	SHEET 25 OF 41

