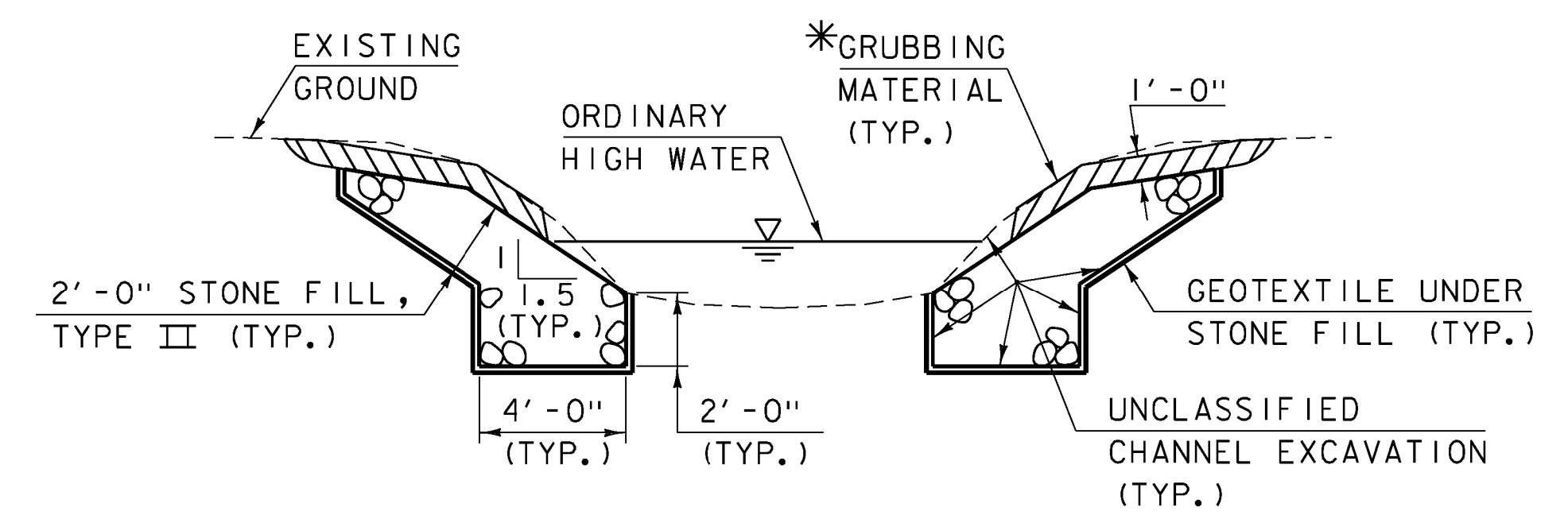
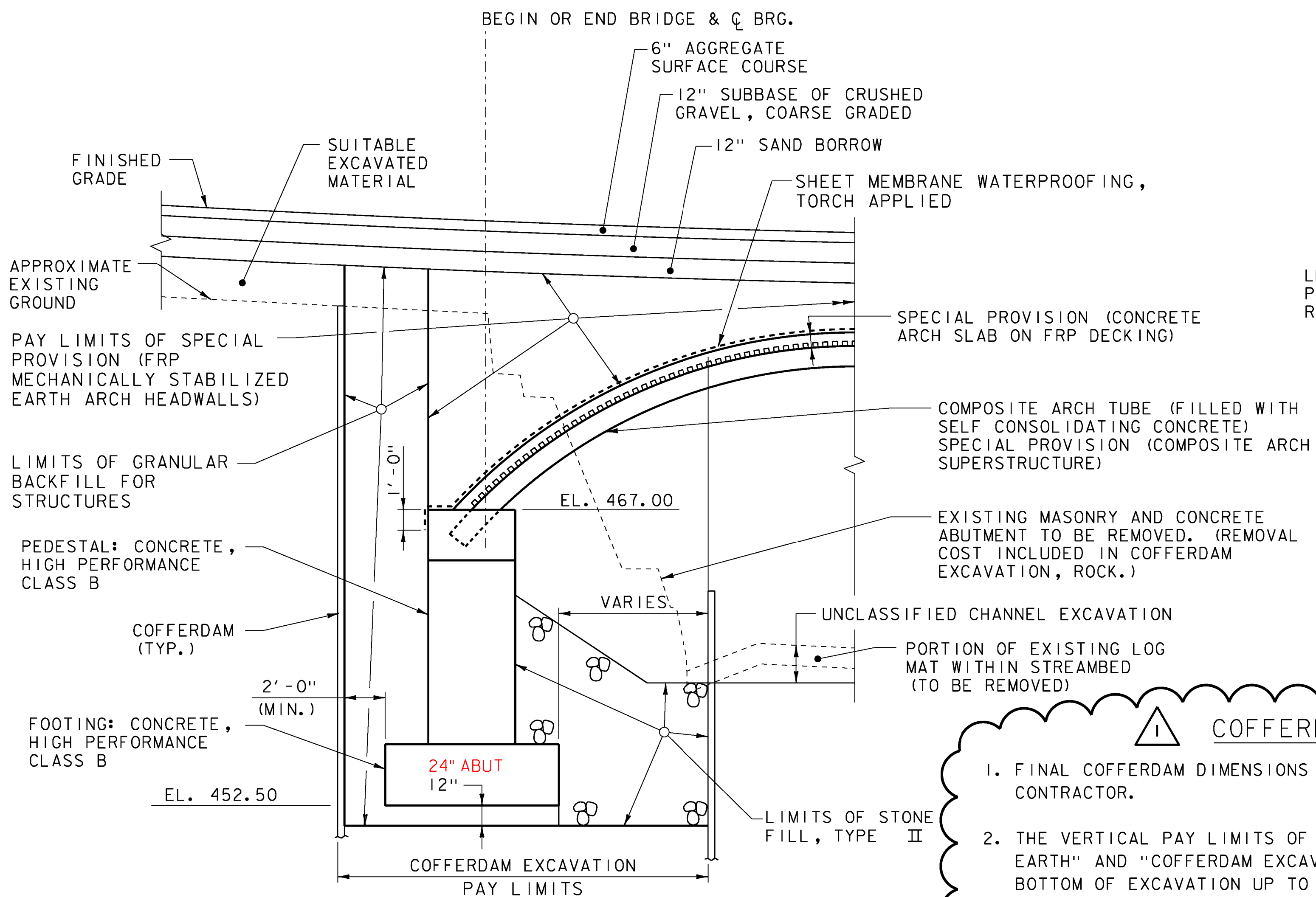


**SUBBASE TRANSITION DETAIL**  
NOT TO SCALE



**TYPICAL CHANNEL SECTION**  
NOT TO SCALE

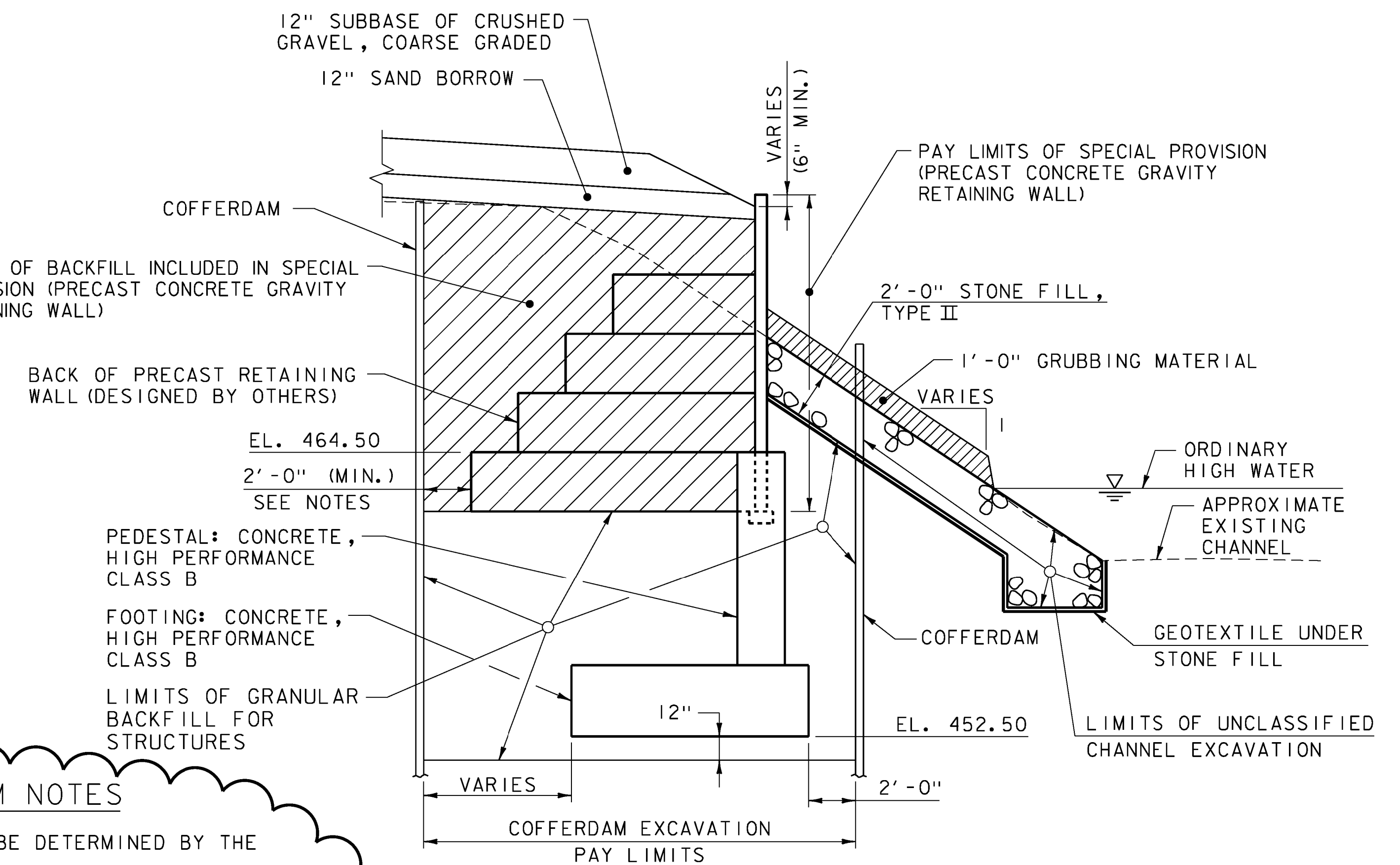
\*GRUBBING MATERIAL SHALL NOT BE PLACED ON THE STONE FILL IN THE AREA UNDER THE BRIDGE. WHENEVER CHANNEL SLOPE INTERSECTS ROADWAY SUBBASE, GRUBBING MATERIAL SHALL BEGIN AT THE BOTTOM OF SUBBASE.



**TYPICAL ABUTMENT EARTHWORK SECTION**  
SCALE 1/4" = 1'-0"

**MATERIAL TOLERANCE TABLE**

MATERIAL ITEM	TOLERANCE
AGGREGATE SURFACE COURSE	± 1/2"
SUBBASE	± 1"
SAND BORROW	± 1"



**TYPICAL WINGWALL EARTHWORK SECTION**  
SCALE 1/4" = 1'-0"

**COFFERDAM NOTES**

1. FINAL COFFERDAM DIMENSIONS TO BE DETERMINED BY THE CONTRACTOR.
2. THE VERTICAL PAY LIMITS OF EITHER "COFFERDAM EXCAVATION, EARTH" AND "COFFERDAM EXCAVATION, ROCK" SHALL BE FROM BOTTOM OF EXCAVATION UP TO THE EXISTING GROUND OR BOTTOM OF SUBBASE, WHICHEVER IS LOWER.
3. IF A COFFERDAM IS CONSTRUCTED WHICH IS LARGER THAN THE INDICATED COFFERDAM EXCAVATION PAY LIMITS, PAYMENT FOR ALL UNCLASSIFIED CHANNEL EXCAVATION, INCLUDING THAT PORTION WHICH IS INSIDE THE COFFERDAM BUT OUTSIDE THE COFFERDAM PAY LIMITS, WILL BE MADE AT THE CONTRACT UNIT PRICE FOR UNCLASSIFIED CHANNEL EXCAVATION. NO MEASUREMENT AND PAYMENT WILL BE MADE FOR COFFERDAM EXCAVATION AND GRANULAR BACKFILL FOR STRUCTURES OUTSIDE THE PAY LIMITS DETAILED ON SHEET 15.
4. FOR PAY LIMITS OF COFFERDAMS, SEE SHEET 15 AND SUBSTRUCTURE NOTE 4 ON SHEET 5.

**REVISIONS AFTER PROPOSAL**

△ COFFERDAM NOTES REVISED 12/13

PROJECT NAME: FAIRFIELD  
PROJECT NUMBER: BRO 1448(38)

FILE NAME: z1j072exc\_01.dgn  
PROJECT LEADER: D. LANDRY  
DESIGNED BY: E. ALEXOPOULOS  
TYPICAL SECTIONS (2 OF 2)

PLOT DATE: 05-DEC-2013  
DRAWN BY: W. GAYNOR  
CHECKED BY: T. KENDRICK  
SHEET 4 OF 41