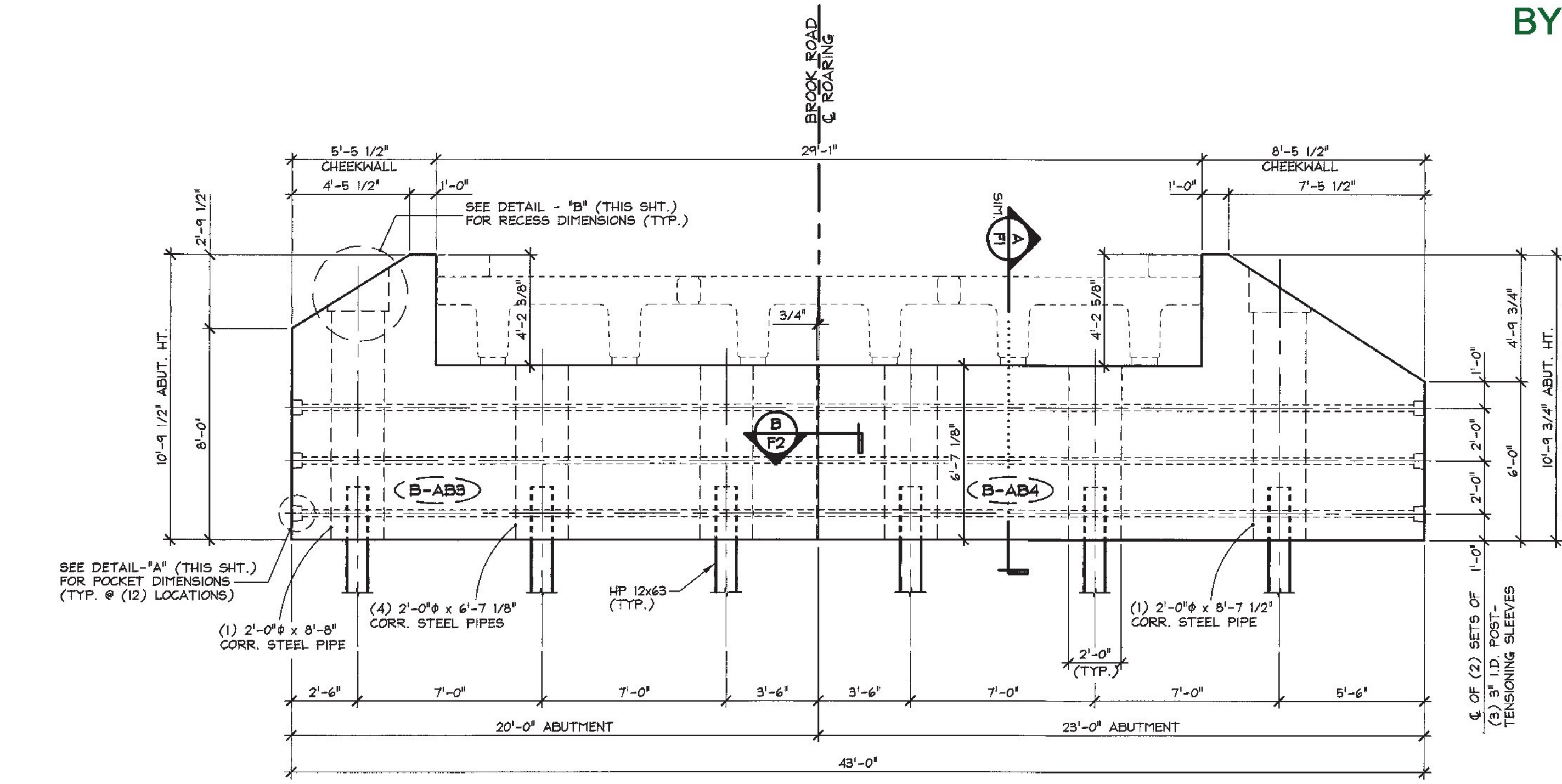


2 PRECAST ABUTMENT #1 ELEVATION
F2
1/4" = 1'-0"



3 PRECAST ABUTMENT #2 ELEVATION
F2
1/4" = 1'-0"

SHOP DRAWING REVIEW

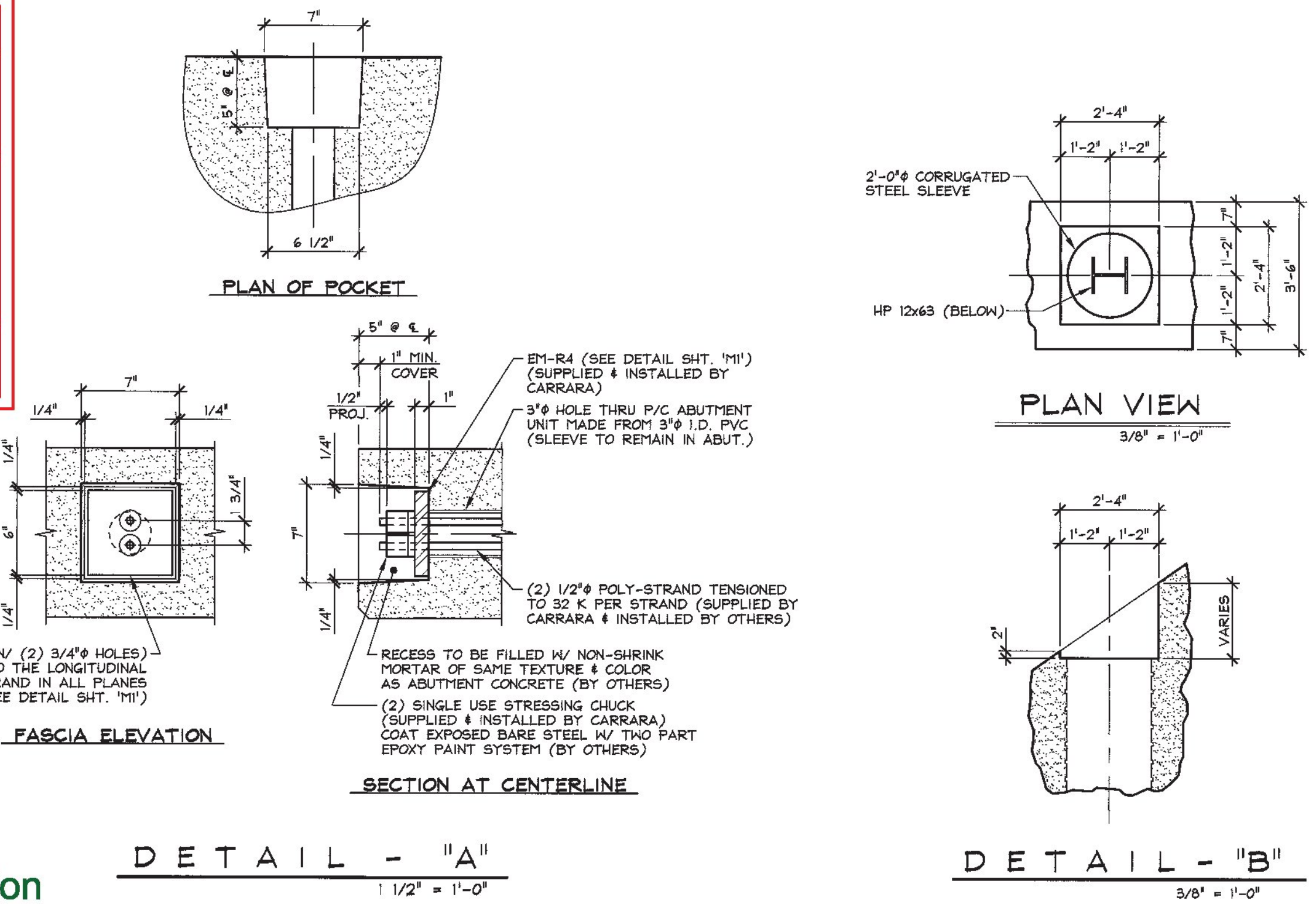
REVIEWED AS REQUIRED BY THE CONSTRUCTION CONTRACT DOCUMENTS AND APPROVED, BUT ONLY FOR CONFORMANCE TO THE DESIGN CONCEPT OF THE WORK, AND SUBJECT TO FURTHER LIMITATIONS AND REQUIREMENTS CONTAINED IN THE CONSTRUCTION CONTRACT DOCUMENTS.

REJECTED REVISE AND RESUBMIT APPROVED AS NOTED

CORRECTIONS OR COMMENTS MADE ON THE SHOP DRAWINGS DURING THIS REVIEW DO NOT RELIEVE CONTRACTOR FROM COMPLIANCE WITH REQUIREMENTS OF THE DRAWINGS AND SPECIFICATIONS. THIS CHECK IS ONLY FOR REVIEW OF GENERAL CONFORMANCE WITH THE DESIGN CONCEPT OF THE PROJECT AND GENERAL COMPLIANCE WITH THE INFORMATION GIVEN IN THE CONTRACT DOCUMENTS. THE CONTRACTOR IS RESPONSIBLE FOR CONFIRMING AND CORRELATING ALL QUANTITIES AND DIMENSIONS; SELECTING FABRICATION PROCESSES AND TECHNIQUES OF CONSTRUCTION; COORDINATING THEIR WORK WITH THAT OF ALL OTHER TRADES; AND PERFORMING THEIR WORK IN A SAFE AND SATISFACTORY MANNER.

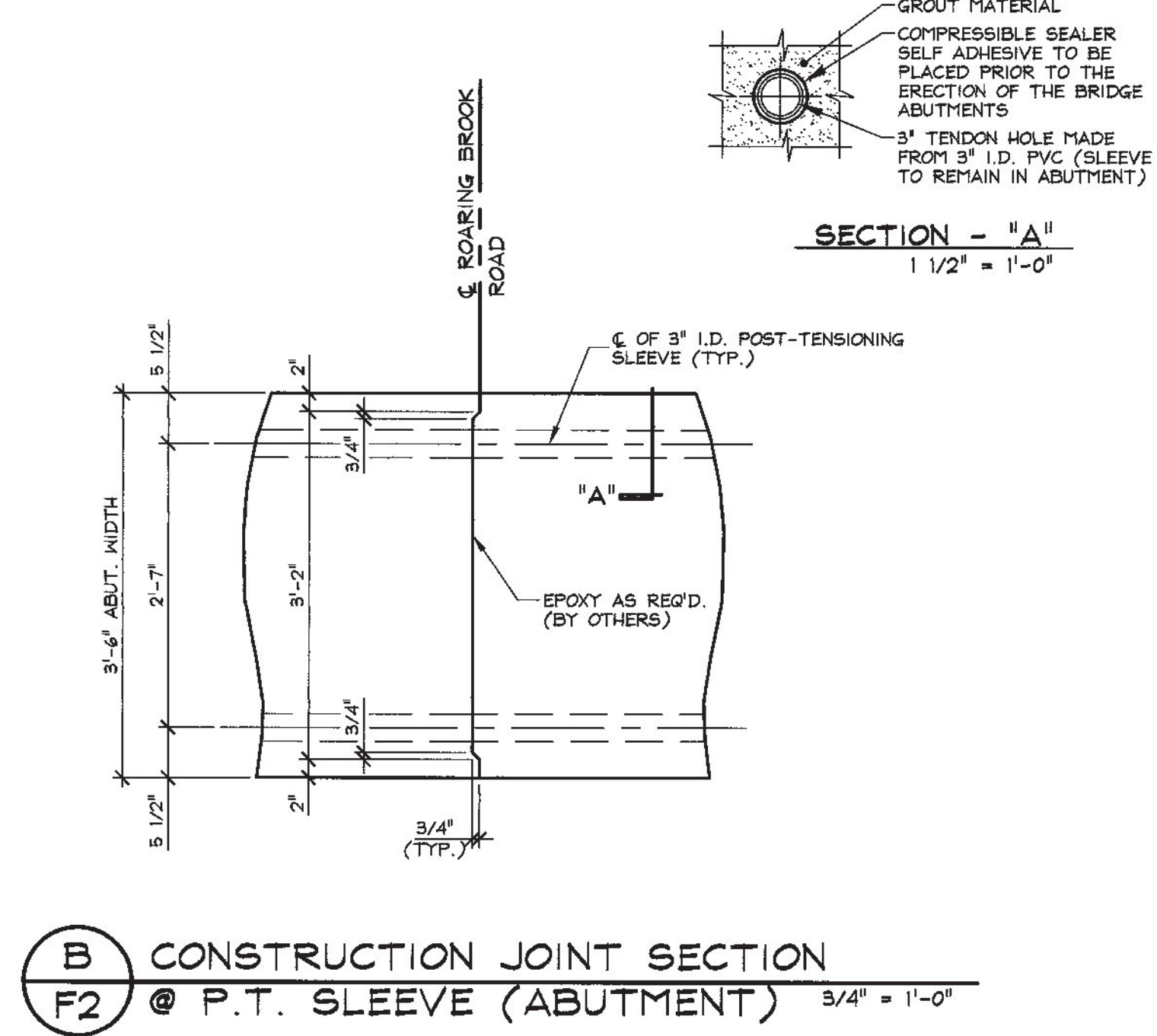
CLD Consulting Engineers
540 Commercial Street
Manchester, NH 03101
603-988-8223

Job Number: 120174
Reviewed by: SRB
Date: 07/09/2015



Vermont Agency of Transportation
RECEIVED
ON: July 9, 2015
and Checked for
CONFORMANCE
BY: T Sumner DATE: 07/09/2015

Vermont Agency of Transportation
RECEIVED
ON: June 10, 2015
and Checked for
CONFORMANCE
BY: Todd A. Sumner DATE: 06/16/2015



B CONSTRUCTION JOINT SECTION
F2 @ P.T. SLEEVE (ABUTMENT)
3/4" = 1'-0"

SHOP DRAWING REVIEW

REVIEWED AS REQUIRED BY THE CONSTRUCTION CONTRACT DOCUMENTS AND APPROVED, BUT ONLY FOR CONFORMANCE TO THE DESIGN CONCEPT OF THE WORK, AND SUBJECT TO FURTHER LIMITATIONS AND REQUIREMENTS CONTAINED IN THE CONSTRUCTION CONTRACT DOCUMENTS.

REJECTED REVISE AND RESUBMIT APPROVED AS NOTED

CORRECTIONS OR COMMENTS MADE ON THE SHOP DRAWINGS DURING THIS REVIEW DO NOT RELIEVE CONTRACTOR FROM COMPLIANCE WITH REQUIREMENTS OF THE DRAWINGS AND SPECIFICATIONS. THIS CHECK IS ONLY FOR REVIEW OF GENERAL CONFORMANCE WITH THE DESIGN CONCEPT OF THE PROJECT AND GENERAL COMPLIANCE WITH THE INFORMATION GIVEN IN THE CONTRACT DOCUMENTS. THE CONTRACTOR IS RESPONSIBLE FOR CONFIRMING AND CORRELATING ALL QUANTITIES AND DIMENSIONS; SELECTING FABRICATION PROCESSES AND TECHNIQUES OF CONSTRUCTION; COORDINATING THEIR WORK WITH THAT OF ALL OTHER TRADES; AND PERFORMING THEIR WORK IN A SAFE AND SATISFACTORY MANNER.

CLD Consulting Engineers
540 Commercial Street
Manchester, NH 03101
603-988-8223

Job Number: 120174
Reviewed by: SRB
Date: 06/11/2015

APPROVAL STAMP:	J.P. CARRARA & SONS INC. Precast & Prestress Manufacturer 244 GSE ST., MIDDLEBURY, VERMONT 05753 Phone: (802)388-6361 Fax: (802)388-9010	J.P. Sicard CONTRACTOR BARTON, VERMONT
STATE OF VERMONT AGENCY OF TRANSPORTATION COUNTY OF ORLEANS		DATE: FEB. 25, 2015 SCALE: NOTED
TOWN OF BARTON ROARING BROOK ROAD TH #2, RURAL MINOR COLLECTOR BRIDGE NO.: 8 PROJECT NO.: BRO 1449(31)		CHKD: DFTM: T.D. JOB NO: 23462-015
PRECAST ABUTMENT ELEVATIONS & DETAILS		DWG. NO: F2