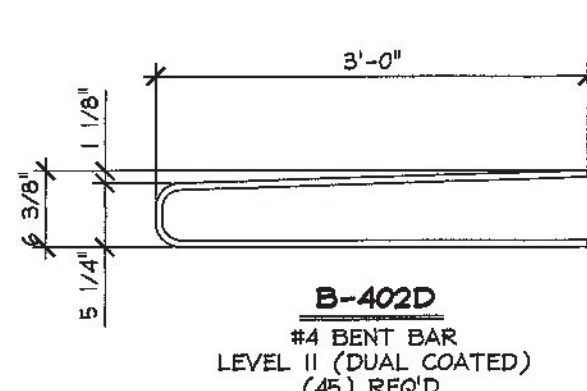
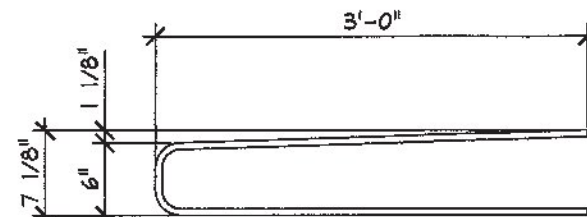


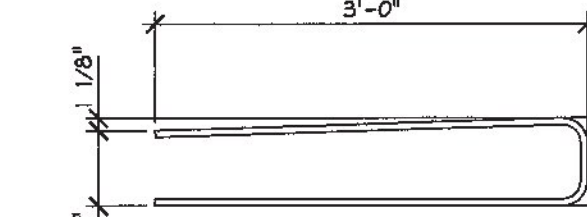
B-401D
#4 BENT BAR
LEVEL II (DUAL COATED)
(366) REQ'D.



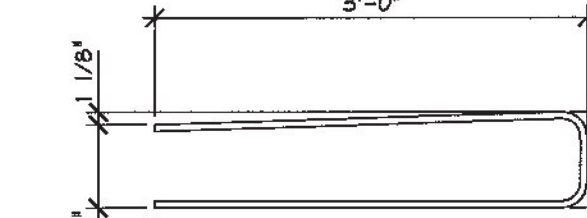
B-402D
#4 BENT BAR
LEVEL II (DUAL COATED)
(45) REQ'D.



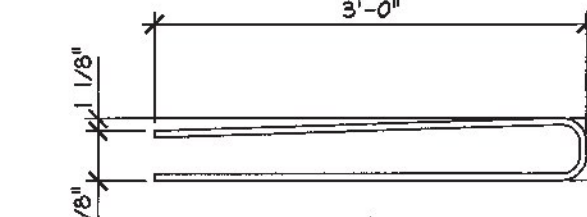
B-403D
#4 BENT BAR
LEVEL II (DUAL COATED)
(44) REQ'D.



B-404D
#4 BENT BAR
LEVEL II (DUAL COATED)
(45) REQ'D.



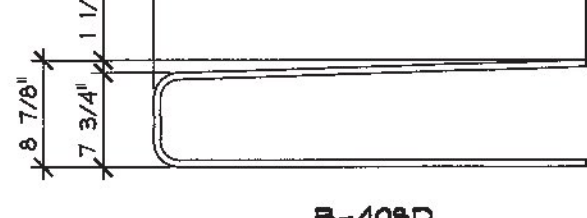
B-405D
#4 BENT BAR
LEVEL II (DUAL COATED)
(45) REQ'D.



B-406D
#4 BENT BAR
LEVEL II (DUAL COATED)
(45) REQ'D.



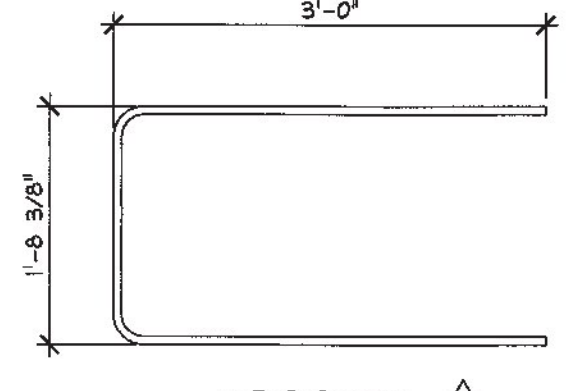
B-407D
#4 BENT BAR
LEVEL II (DUAL COATED)
(45) REQ'D.



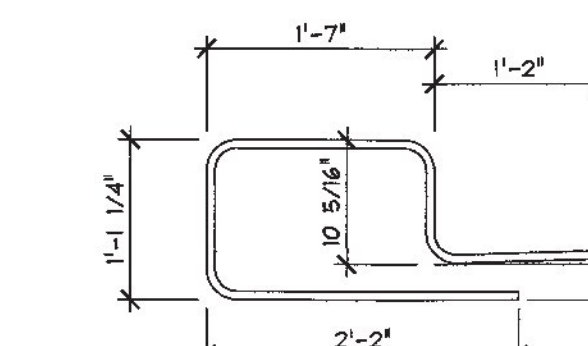
B-408D
#4 BENT BAR
LEVEL II (DUAL COATED)
(45) REQ'D.



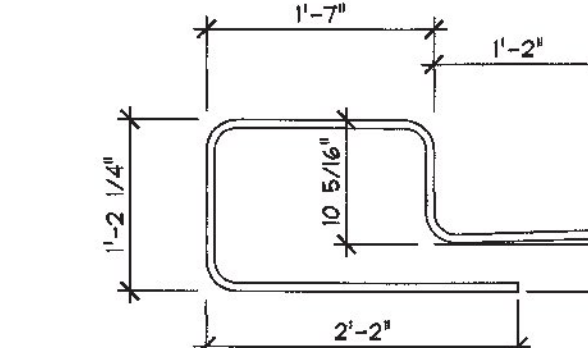
B-409D
#4 BENT BAR
LEVEL II (DUAL COATED)
(44) REQ'D.



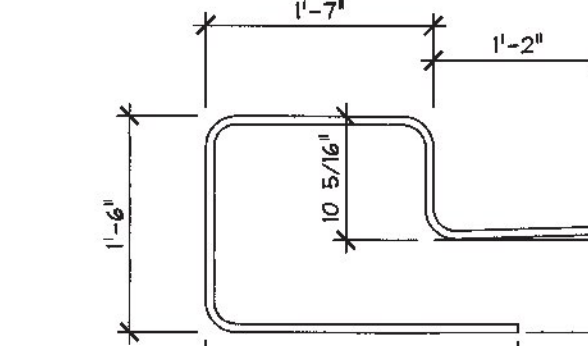
B-410D
#4 BENT BAR
LEVEL II (DUAL COATED)
(45) REQ'D.



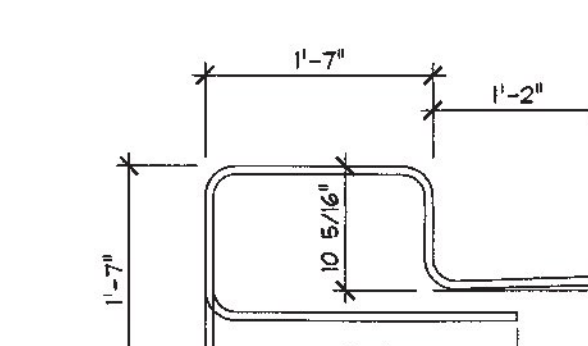
B-503L
#5 BENT BAR
LEVEL II (DUAL COATED)
(15) REQ'D.



B-504L
#5 BENT BAR
LEVEL II (DUAL COATED)
(15) REQ'D.



B-505L
#5 BENT BAR
LEVEL II (DUAL COATED)
(15) REQ'D.



B-506L
#5 BENT BAR
LEVEL II (DUAL COATED)
(13) REQ'D.



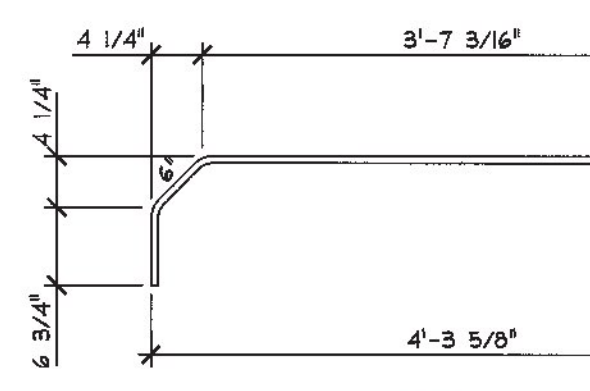
B-507L
#5 BENT BAR
LEVEL II (DUAL COATED)
(15) REQ'D.



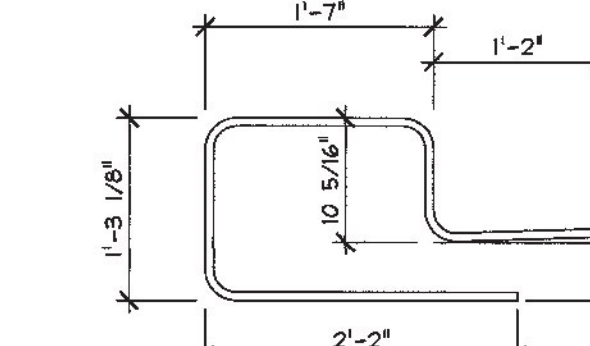
B-508L
#5 BENT BAR
LEVEL II (DUAL COATED)
(15) REQ'D.



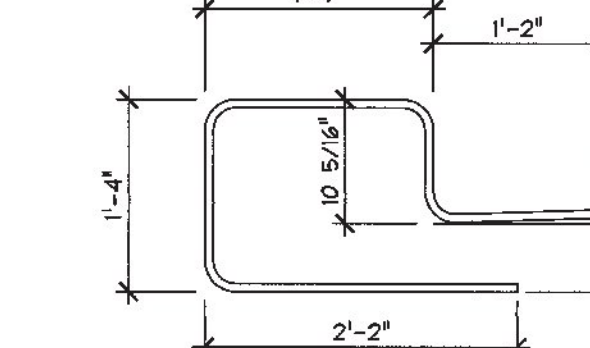
B-509L
#5 BENT BAR
LEVEL II (DUAL COATED)
(15) REQ'D.



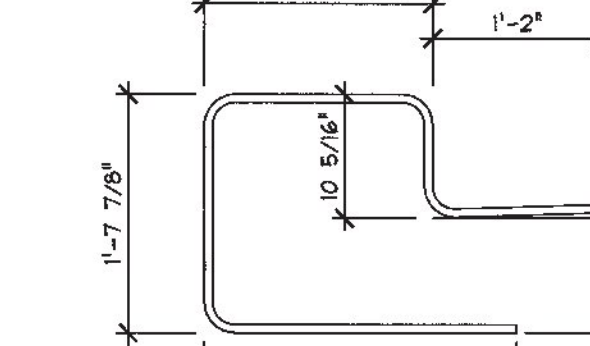
B-502D
#5 BENT BAR
LEVEL II (DUAL COATED)
(126) REQ'D.



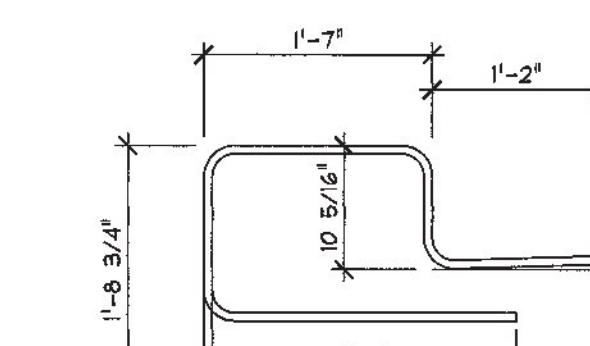
B-510D
#5 BENT BAR
LEVEL II (DUAL COATED)
(13) REQ'D.



B-511D
#5 BENT BAR
LEVEL II (DUAL COATED)
(13) REQ'D.



B-512D
#5 BENT BAR
LEVEL II (DUAL COATED)
(15) REQ'D.



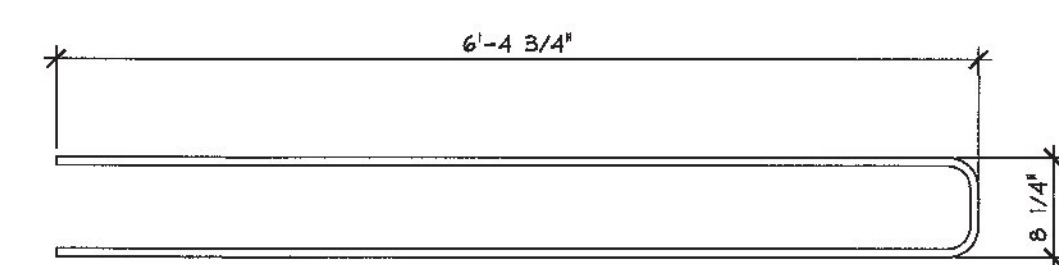
B-513D
#5 BENT BAR
LEVEL II (DUAL COATED)
(13) REQ'D.



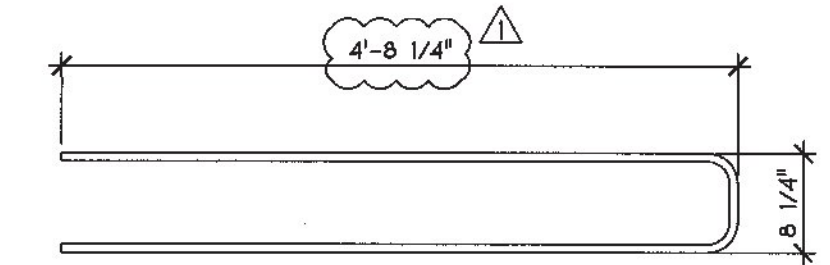
B-514D
#5 BENT BAR
LEVEL II (DUAL COATED)
(13) REQ'D.

MISCELLANEOUS MATERIALS				P/S NEXT BEAMS	
ITEM	MARK	QTY.	DESCRIPTION	REMARKS	
1	B-401D	366	#4 BENT BAR (LEVEL II, DUAL COATED)		
2	B-402D	45	#4 BENT BAR (LEVEL II, DUAL COATED)		
3	B-403D	44	#4 BENT BAR (LEVEL II, DUAL COATED)		
4	B-404D	45	#4 BENT BAR (LEVEL II, DUAL COATED)		
5	B-405D	45	#4 BENT BAR (LEVEL II, DUAL COATED)		
6	B-406D	45	#4 BENT BAR (LEVEL II, DUAL COATED)		
7	B-407D	45	#4 BENT BAR (LEVEL II, DUAL COATED)		
8	B-408D	45	#4 BENT BAR (LEVEL II, DUAL COATED)		
9	B-409D	44	#4 BENT BAR (LEVEL II, DUAL COATED)		
10	B-410D	45	#4 BENT BAR (LEVEL II, DUAL COATED)		
11	B-502D	126	#5 BENT BAR (LEVEL II, DUAL COATED)		
12	B-503D	15	#5 BENT BAR (LEVEL II, DUAL COATED)		
13	B-504D	13	#5 BENT BAR (LEVEL II, DUAL COATED)		
14	B-505D	13	#5 BENT BAR (LEVEL II, DUAL COATED)		
15	B-506D	13	#5 BENT BAR (LEVEL II, DUAL COATED)		
16	B-507D	15	#5 BENT BAR (LEVEL II, DUAL COATED)		
17	B-508D	15	#5 BENT BAR (LEVEL II, DUAL COATED)		
18	B-509D	14	#5 BENT BAR (LEVEL II, DUAL COATED)		
19	B-510D	13	#5 BENT BAR (LEVEL II, DUAL COATED)		
20	B-511D	13	#5 BENT BAR (LEVEL II, DUAL COATED)		
21	B-512D	15	#5 BENT BAR (LEVEL II, DUAL COATED)		
22					
23		61	#4 x 8'-9 1/2" (LEVEL II, DUAL COATED)	(+1 SAMPLE)	
24		541	#5 x 8'-9 1/2" (LEVEL II, DUAL COATED)	(+1 SAMPLE)	
25		39	#5 x 40'-0" (LEVEL II, DUAL COATED)		
26		39	#5 x 14'-9" (LEVEL II, DUAL COATED)		
27		39	#5 x 30'-0" (LEVEL II, DUAL COATED)		
28		39	#5 x 19'-0" (LEVEL II, DUAL COATED)		
29		12	SET OF (4) 0.60" STRAND LIFTING LOOPS		
30	MK-BA1	44	3/4" F42 FERRULE INSERT (GALV.)		
31	MK-BA2	22	DAYTON C-24 TYPE 4-APR DECK FORM HANGER (GALV.)		

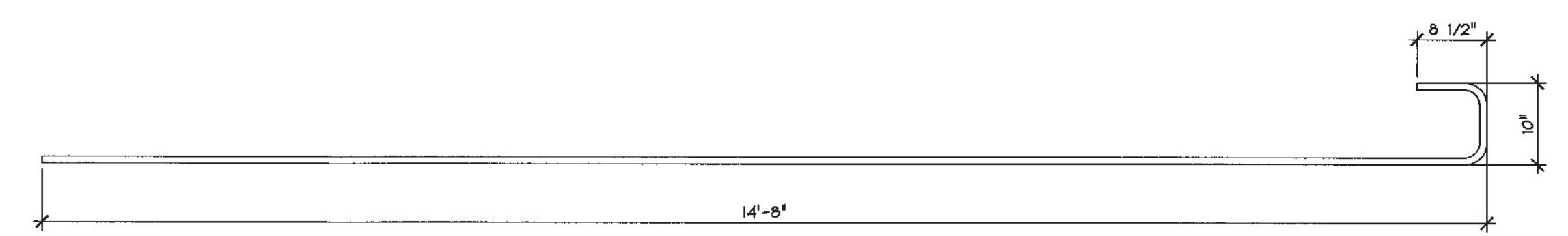
MISCELLANEOUS MATERIALS				P/C APPROACH SLABS	
ITEM	MARK	QTY.	DESCRIPTION	REMARKS	
1	BA-501D	116	#5 BENT BAR (LEVEL II, DUAL COATED)		
2	BA-502D	58	#5 BENT BAR (LEVEL II, DUAL COATED)		
3	BA-601	89	#6 BENT BAR (LEVEL I)	(+1 SAMPLE)	
4					
5					
6		88	#6 x 14'-8" (LEVEL I)		
7		8	#5 x 5'-2" (LEVEL I)		
8		8	#5 x 5'-6" (LEVEL I)		
9					
10		32	DAYTON 4T x 7 1/8" SWIFT LIFT (DOMESTIC)		



BA-502D
#5 BENT BAR
LEVEL II (DUAL COATED)
(58) REQ'D.



BA-501D
#5 BENT BAR
LEVEL II (DUAL COATED)
(116) REQ'D.



BA-601
#6 BENT BAR
LEVEL I
(89) REQ'D.

SHOP DRAWING REVIEW

REVIEWED AS REQUIRED BY THE CONSTRUCTION CONTRACT DOCUMENTS AND APPROVED BUT ONLY FOR CONFORMANCE TO THE DESIGN CONCEPT OF THE WORK AND SUBJECT TO FURTHER LIMITATIONS AND REQUIREMENTS CONTAINED IN THE CONSTRUCTION CONTRACT DOCUMENTS.

REJECTED REVISE AND RESUBMIT APPROVED AS NOTED

CORRECTIONS OR COMMENTS MADE ON THE SHOP DRAWINGS DURING THIS REVIEW DO NOT RELIEVE CONTRACTOR FROM COMPLIANCE WITH REQUIREMENTS OF THE DRAWINGS AND SPECIFICATIONS. THIS CHECK IS ONLY FOR REVIEW OF GENERAL CONFORMANCE WITH THE DESIGN CONCEPT OF THE PROJECT AND GENERAL COMPLIANCE WITH THE INFORMATION GIVEN IN THE CONTRACT DOCUMENTS. THE CONTRACTOR IS RESPONSIBLE FOR CORRECTING AND CORRELATING ALL QUANTITIES AND DIMENSIONS, SELECTING FABRICATION PROCESSES AND TECHNIQUES OF CONSTRUCTION COORDINATING THEIR WORK WITH THAT OF ALL OTHER TRADES AND PERFORMING THEIR WORK IN A SAFE AND SATISFACTORY MANNER.

CD Consulting Engineers
540 Commercial Street
Manchester, NH 03101
603-888-8228

Job Number: 120174
Reviewed by: SRB
Date: 08/11/2015

6/9/2015 REVISED AS NOTED T.D.
5/28/2015 REVISED AS NOTED T.D.

APPROVAL STAMP:

J.P. CARRARA & SONS INC.
Precast & Prestress Manufacturer
244 GSE SR., WOODBURY, VERMONT 05753 Phone: (802)388-6361 Fax: (802)388-8010

J.P. Sicard
CONTRACTOR
BARTON, VERMONT

STATE OF VERMONT AGENCY OF TRANSPORTATION
COUNTY OF ORLEANS

DATE: FEB. 25, 2015

TOWN OF BARTON
ROARING BROOK ROAD TH #2, RURAL MINOR COLLECTOR
BRIDGE NO.: 8 PROJECT NO.: BRO 1449(31)

SCALE: NOTED

CHKD: - DFTM: T.D.

JOB NO: 23462-015

NEXT BEAM MATERIAL LIST

DWG. NO: M1