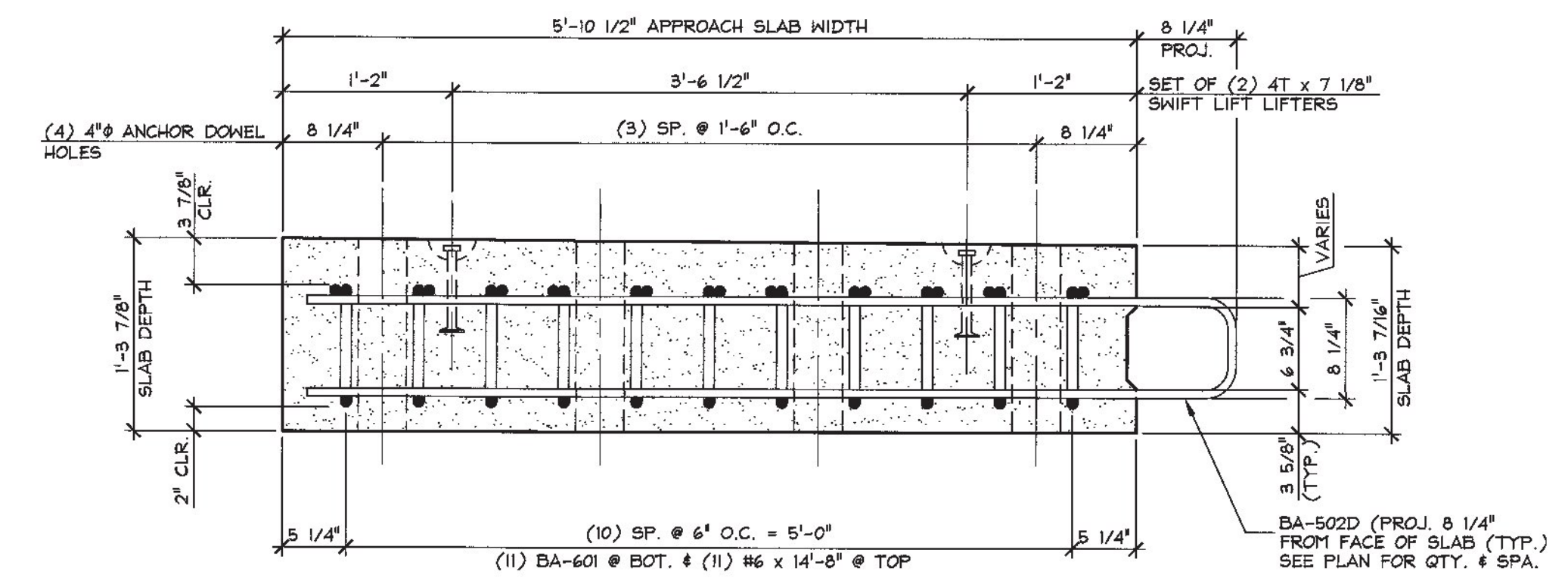
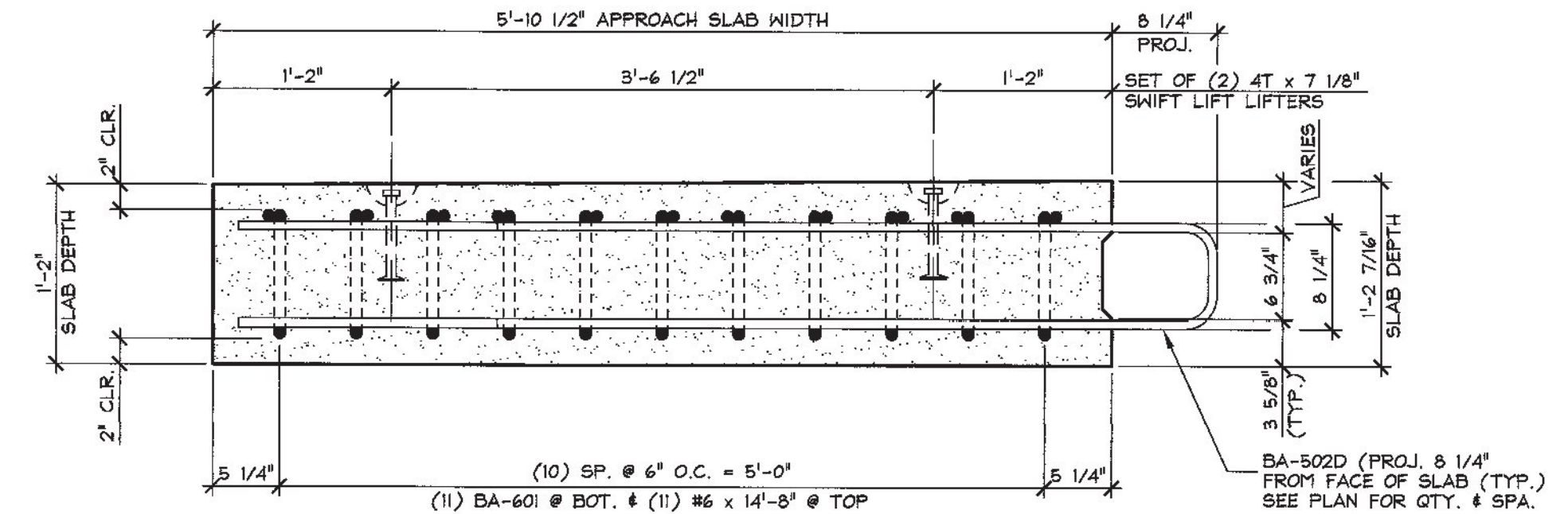


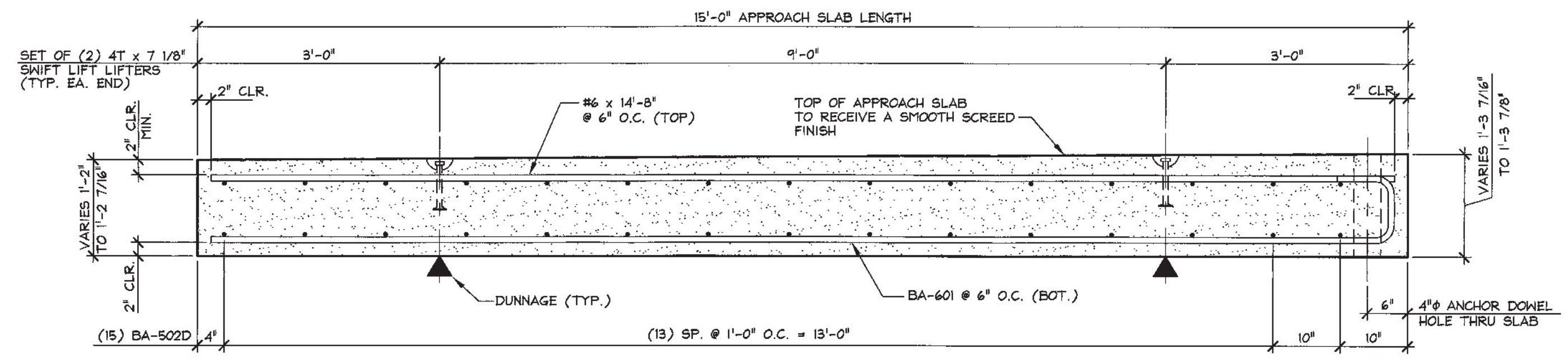
1 PLAN VIEW IN FORM
 ASI
 1/2" = 1'-0"



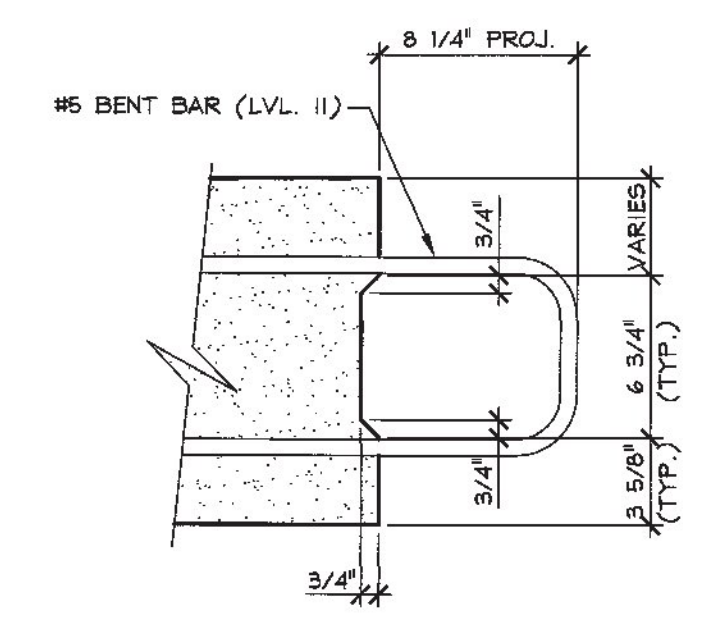
C SECTION
 ASI
 1" = 1'-0"



B SECTION
 ASI
 1" = 1'-0"



A LONGITUDINAL SECTION
 ASI
 3/4" = 1'-0"



SHEAR KEY DETAIL
 1 1/2" = 1'-0"

MARK:	B-ASI	QTY.:	2	WT.:	8.26 T	VOL.:	4.08 cy
MATERIAL LIST / APPROACH SLAB							
ITEM	MARK	DESCRIPTION				QTY.	
1							
2	BA-502D	#5 BENT BAR (LEVEL II, DUAL COATED)				15	
3	BA-601	#6 BENT BAR (LEVEL I)				11	
4							
5							
6		#6 x 14'-8" (LEVEL I)				11	
7							
8							
9							
10							
11							
12							
13							
14	▲	DAYTON 4T x 7 1/8" SWIFT LIFT (DOMESTIC)				4	
15							

SHOP DRAWING REVIEW

REVIEWED AS REQUIRED BY THE CONSTRUCTION CONTRACT DOCUMENTS AND APPROVED, BUT ONLY FOR CONFORMANCE TO THE DESIGN CONCEPT OF THE WORK, AND SUBJECT TO FURTHER LIMITATIONS AND REQUIREMENTS CONTAINED IN THE CONSTRUCTION CONTRACT DOCUMENTS.

REJECTED REVISE AND RESUBMIT APPROVED AS NOTED

CORRECTIONS OR COMMENTS MADE ON THE SHOP DRAWINGS DURING THIS REVIEW DO NOT RELIEVE CONTRACTOR FROM COMPLIANCE WITH REQUIREMENTS OF THE DRAWINGS AND SPECIFICATIONS. THIS CHECK IS ONLY FOR REVIEW OF GENERAL CONFORMANCE WITH THE DESIGN CONCEPT OF THE PROJECT AND GENERAL COMPLIANCE WITH THE INFORMATION GIVEN IN THE CONTRACT DOCUMENTS. THE CONTRACTOR IS RESPONSIBLE FOR CONFIRMING AND CORRELATING ALL QUANTITIES AND DIMENSIONS, SELECTING FABRICATION PROCESSES AND TECHNIQUES OF CONSTRUCTION, COORDINATING THEIR WORK WITH THAT OF ALL OTHER TRADES, AND PERFORMING THEIR WORK IN A SAFE AND SATISFACTORY MANNER.

CLD Consulting Engineers
 540 Commercial Street
 Manchester, NH 03101
 603-689-8223

Job Number: 120174
 Reviewed by: SRB
 Date: 06/11/2015

5/28/2015 REVISED AS NOTED T.D.

APPROVAL STAMP:

J.P. CARRARA & SONS INC.
 Precast & Prestress Manufacturer
 2464 OISE CRT, MIDDLEBURY, VERMONT 05753 Phone: (802)388-6361 Fax: (802)388-9010

J.P. Sicard
 CONTRACTOR
 BARTON, VERMONT

STATE OF VERMONT AGENCY OF TRANSPORTATION
 COUNTY OF ORLEANS

DATE: FEB. 25, 2015
 SCALE: NOTED

TOWN OF BARTON
 ROARING BROOK ROAD TH #2, RURAL MINOR COLLECTOR
 BRIDGE NO.: 8 PROJECT NO.: BRO 1449(31)

CHKD: DFTM: T.D.
 JOB NO: 23462-015

APPROACH SLAB DETAILS
 DWG. NO: ASI