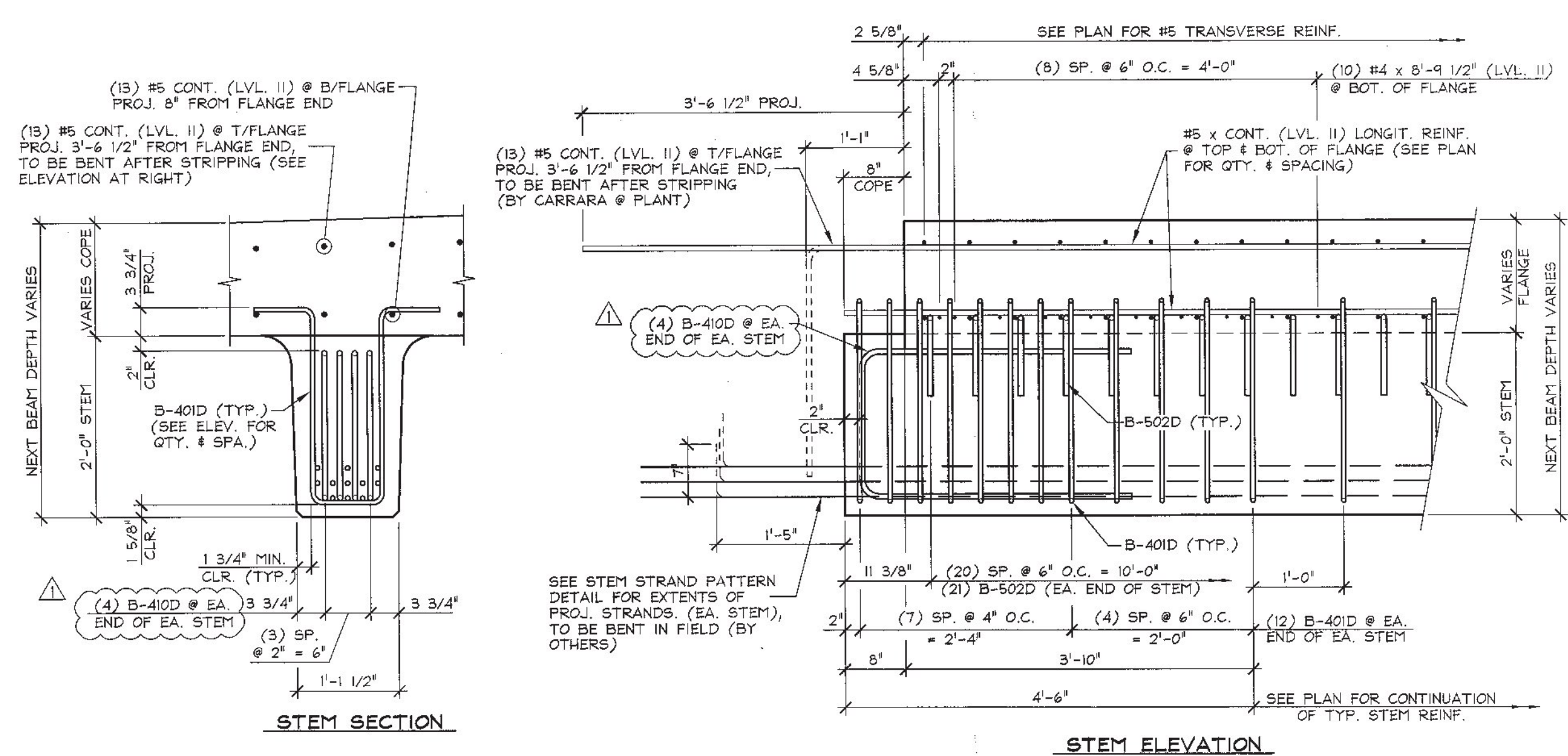
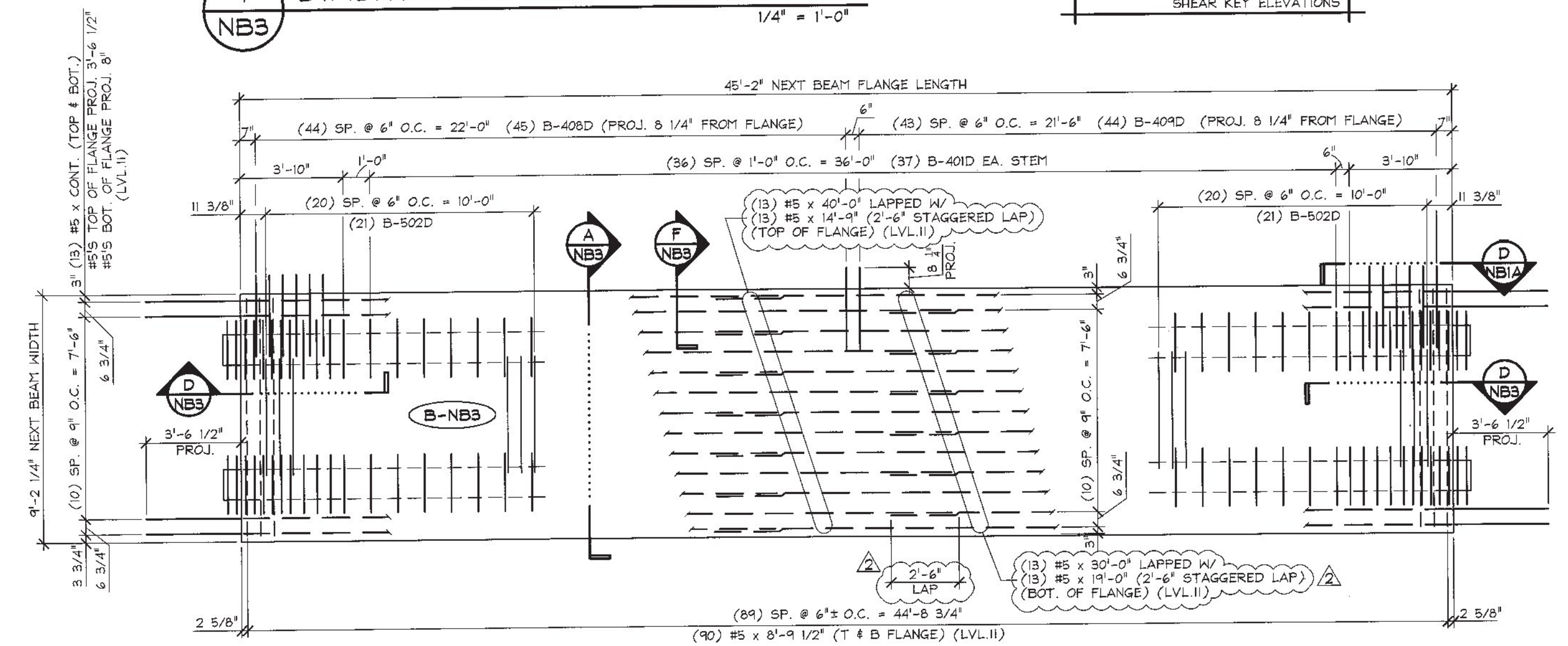


**1 DIMENSIONAL PLAN VIEW IN FORM**  
NB3  
1/4" = 1'-0"

SHOP NOTE: ADJUST LATERAL LOC. OF MK-BA2 AS TO CLR. PROJ. CURB REINF.



**D END BLOCK STEM REINFORCING DETAILS**  
NB3  
3/4" = 1'-0"



**2 REINFORCING PLAN VIEW IN FORM**  
NB3  
1/4" = 1'-0"

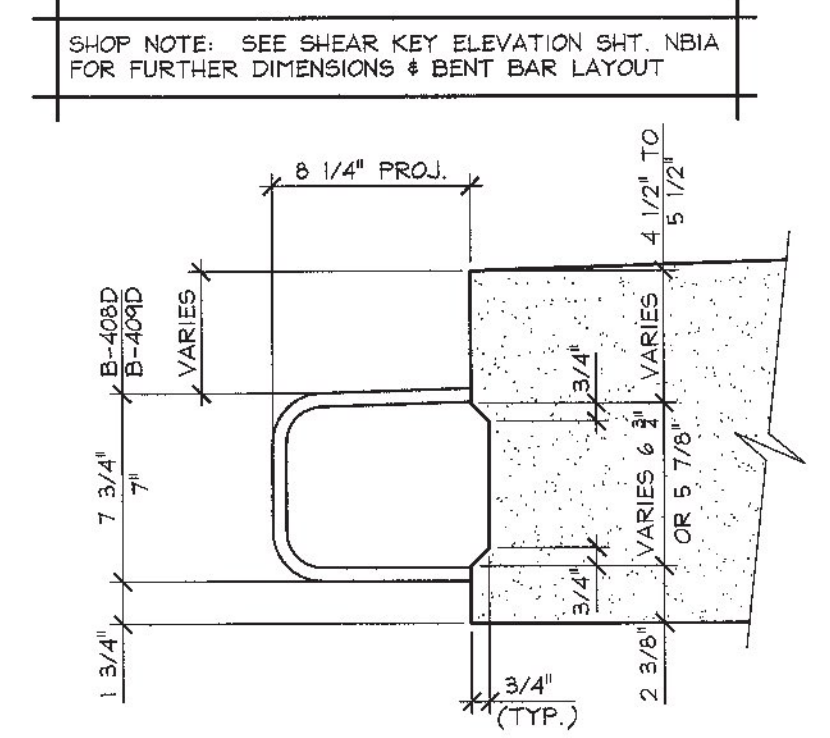
**SHOP DRAWING REVIEW**

REVIEWED AS REQUIRED BY THE CONSTRUCTION CONTRACT DOCUMENTS AND APPROVED, BUT ONLY FOR CONFORMANCE TO THE DESIGN CONCEPT OF THE WORK, AND SUBJECT TO FURTHER LIMITATIONS AND REQUIREMENTS CONTAINED IN THE CONSTRUCTION CONTRACT DOCUMENTS.

REFLECTED    REVISE AND RESUBMIT    APPROVED AS NOTED

CORRECTIONS OR COMMENTS MADE ON THE SHOP DRAWINGS DURING THIS REVIEW DID NOT RELIEVE CONTRACTOR FROM COMPLIANCE WITH REQUIREMENTS OF THE DRAWINGS AND SPECIFICATIONS. THIS CHECK IS ONLY FOR REVIEW OF GENERAL CONFORMANCE WITH THE DESIGN CONCEPT OF THE PROJECT AND GENERAL COMPLIANCE WITH THE INFORMATION GIVEN IN THE CONTRACT DOCUMENTS. THE CONTRACTOR IS RESPONSIBLE FOR CONFIRMING AND CORRELATING ALL QUANTITIES AND DIMENSIONS, SELECTING FABRICATION PROCESSES AND TECHNIQUES OF CONSTRUCTION, COORDINATING THEIR WORK WITH THAT OF ALL OTHER TRADES, AND PERFORMING THEIR WORK IN A SAFE AND SATISFACTORY MANNER.

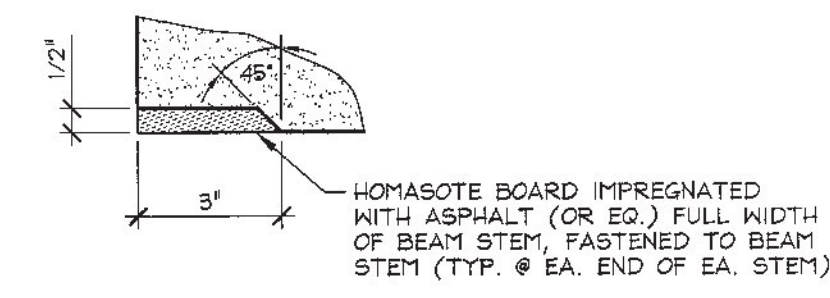
Job Number: 120174  
Reviewed by: SRB  
Date: 09/11/2015



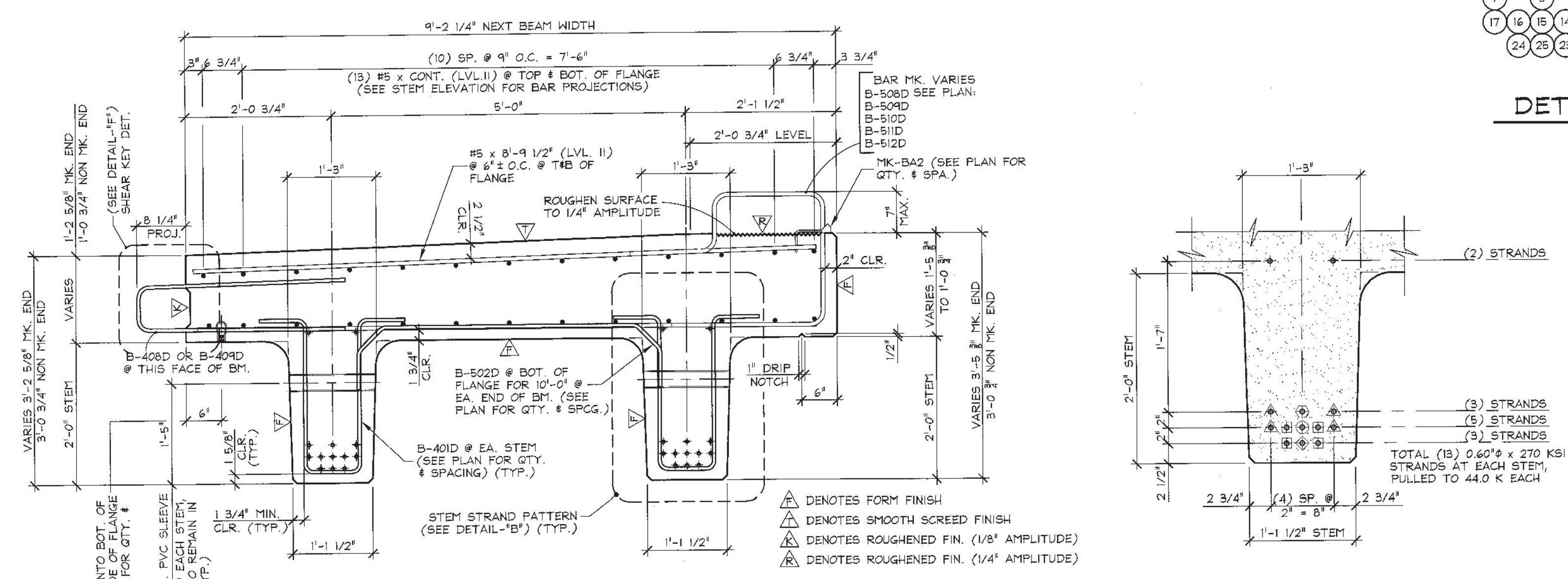
**F SHEAR KEY DETAIL**  
NB3  
1 1/2" = 1'-0"

**DETENSING SCHEDULE**  
N.T.S.

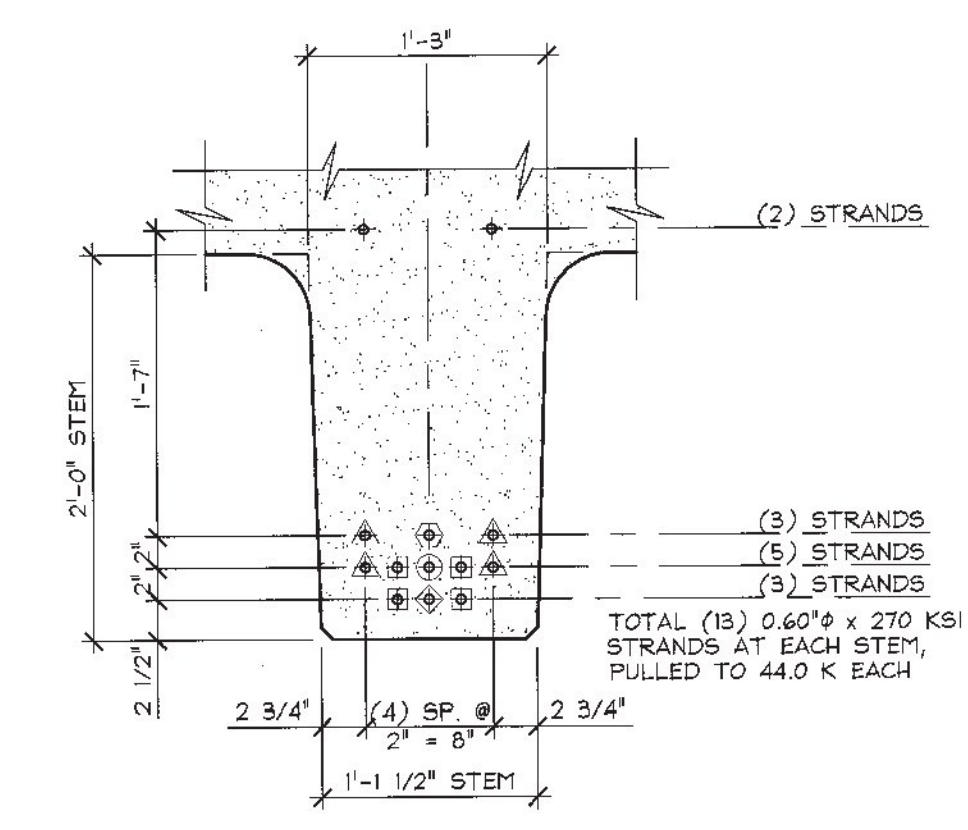
1	3	4	2
7	5	8	
17	16	15	14
24	25	23	
			9
			6
			10
			22
			24
			21



**C HOMASOTE DETAIL**  
NB3  
3" = 1'-0"



**A DIMENSIONAL & REINFORCING SECTION**  
NB3  
3/4" = 1'-0"



**B STEM STRAND PATTERN**  
NB3  
1" = 1'-0"

- PRESTRESSING NOTATIONS**
- ⊕ DENOTES STRAIGHT STRANDS TO BE DEBONDED 6" FROM EA. END OF EA. STEM
  - ⊕ DENOTES FULLY BONDED STRAIGHT STRANDS EXTENDED 2'-0" FROM EA. END OF EA. STEM
  - ⊕ DENOTES STRAIGHT STRANDS TO BE DEBONDED 9'-0" FROM EA. END OF EA. STEM
  - ⊕ DENOTES STRAIGHT STRANDS TO BE DEBONDED 4'-0" FROM EA. END OF EA. STEM
  - ⊕ DENOTES STRAIGHT STRANDS TO BE DEBONDED 2'-0" FROM EA. END OF EA. STEM
  - ⊕ DENOTES FULLY BONDED STRAIGHT STRANDS TO BE CUT FLUSH W/ EA. END OF EA. STEM

6/9/2015 REVISION AS NOTED T.D.  
5/28/2015 REVISED AS NOTED T.D.

APPROVAL STAMP:

MARK:	B-NB3	QTY.:	1	WT.:	54.99 T	VOL.:	26.86 cy
MATERIAL LIST / NEXT BEAM							
ITEM	MARK	DESCRIPTION	QTY.				
1	MK-BA1	3/4" F42 FERRULE INSERT (GALV.)	11				
2	MK-BA2	DAYTON C-24 TYPE 4-APR DECK FOR1 HANGER (GALV.)	11				
3							
4	B-401D	#4 BENT BAR (LEVEL II, DUAL COATED)	122				
5	B-408D	#4 BENT BAR (LEVEL II, DUAL COATED)	45				
6	B-409D	#4 BENT BAR (LEVEL II, DUAL COATED)	44				
7	B-410D	#4 BENT BAR (LEVEL II, DUAL COATED)	16				
8	B-502D	#5 BENT BAR (LEVEL II, DUAL COATED)	42				
9	B-508D	#5 BENT BAR (LEVEL II, DUAL COATED)	15				
10	B-509D	#5 BENT BAR (LEVEL II, DUAL COATED)	14				
11	B-510D	#5 BENT BAR (LEVEL II, DUAL COATED)	13				
12	B-511D	#5 BENT BAR (LEVEL II, DUAL COATED)	13				
13	B-512D	#5 BENT BAR (LEVEL II, DUAL COATED)	15				
14		#4 x 8'-9 1/2" (LEVEL II, DUAL COATED)	20				
15		#5 x 8'-9 1/2" (LEVEL II, DUAL COATED)	180				
16		#5 x 40'-0" (LEVEL II, DUAL COATED)	13				
17		#5 x 14'-9" (LEVEL II, DUAL COATED)	13				
18		#5 x 30'-0" (LEVEL II, DUAL COATED)	13				
19		#5 x 19'-0" (LEVEL II, DUAL COATED)	13				
20		SET OF (4) 0.60" STRAND LIFTING LOOPS	4				

**J.P. CARRARA & SONS INC.**  
Precast & Prestress Manufacturer  
244 GSE STR., WOODVILLE, VERMONT 05753 Phone: (802)388-6261 Fax: (802)388-9010

**J.P. Sicard**  
CONTRACTOR  
BARTON, VERMONT

**STATE OF VERMONT AGENCY OF TRANSPORTATION**  
COUNTY OF ORLEANS

**TOWN OF BARTON**  
ROARING BROOK ROAD TH #2, RURAL MINOR COLLECTOR  
BRIDGE NO.: 8 PROJECT NO.: BRO 1449(31)

DATE: FEB. 25, 2015  
SCALE: NOTED  
CHKD: - DFTM: T.D.  
JOB NO: 23462-015  
DWG. NO: NB3