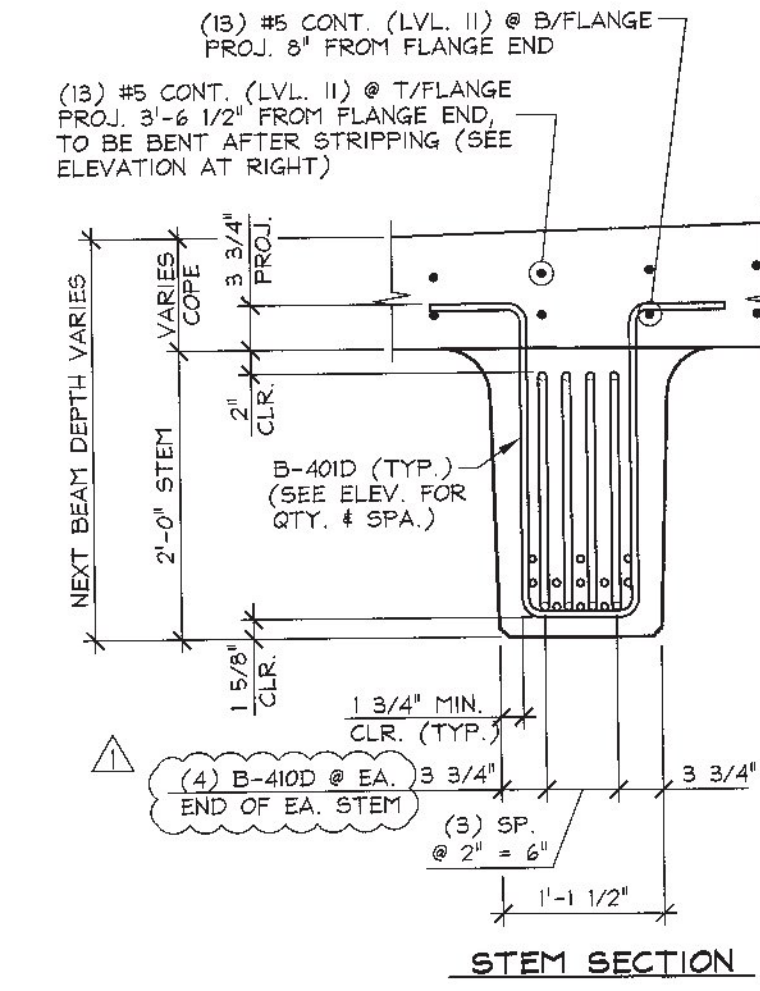
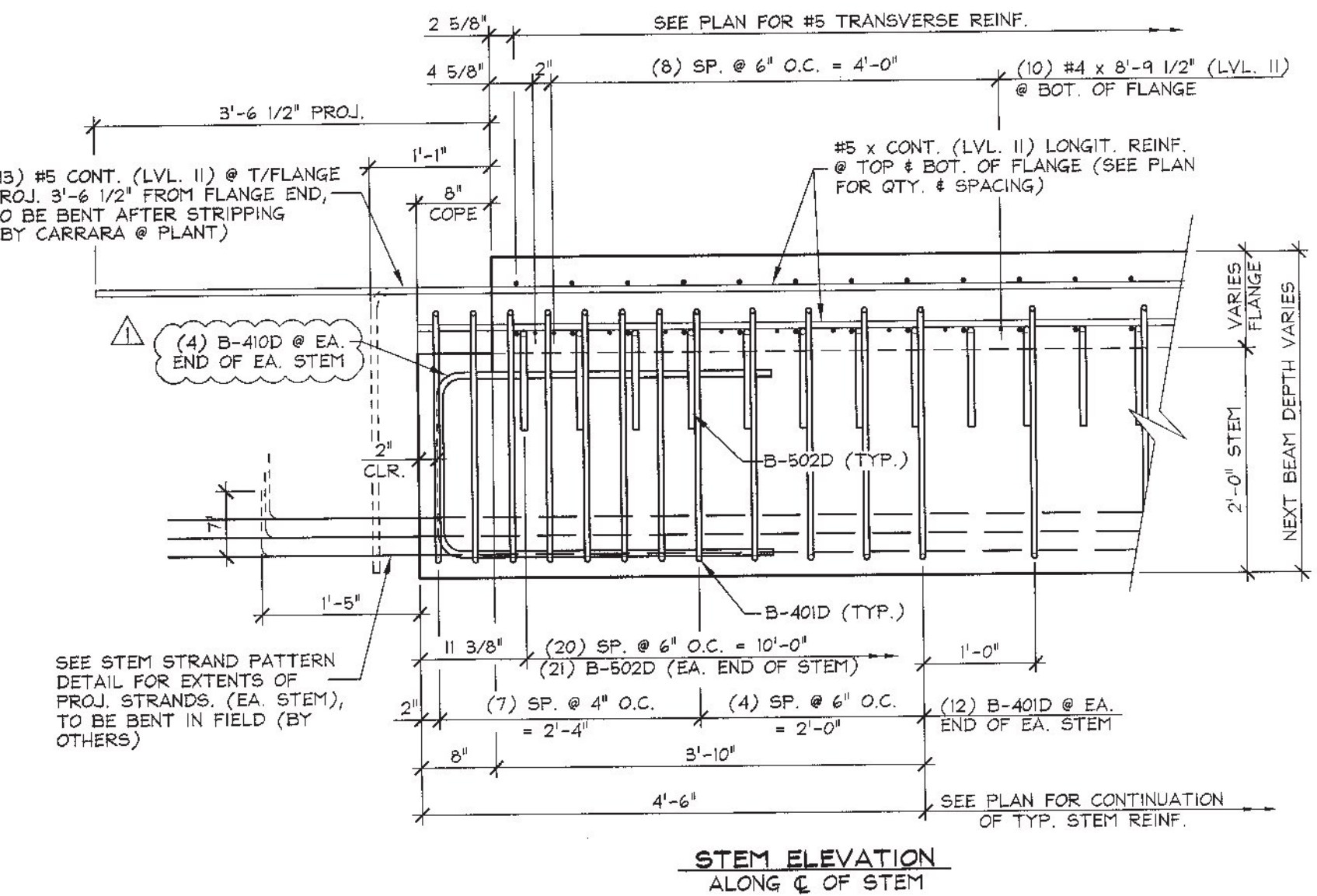


**1 DIMENSIONAL PLAN VIEW IN FORM**  
NBI  
1/4" = 1'-0"

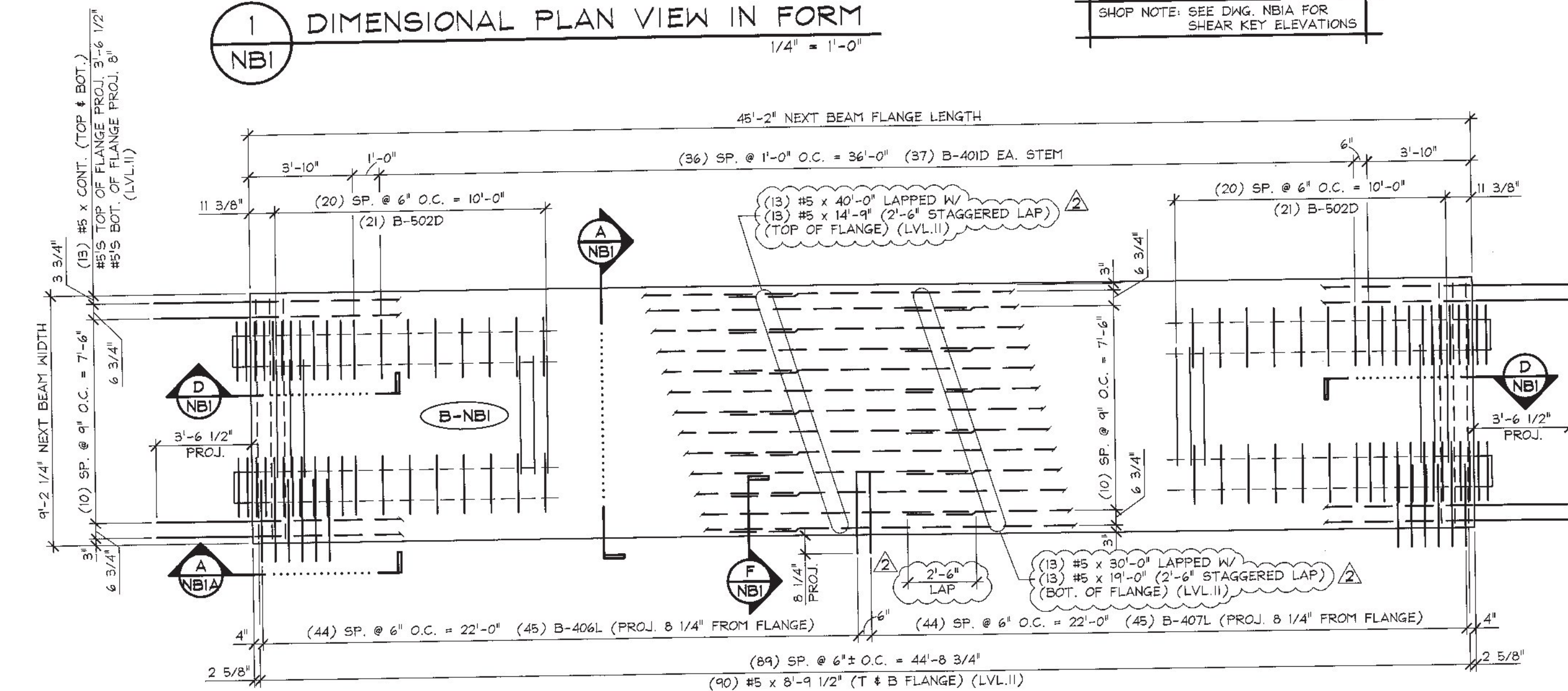
SHOP NOTE: SEE DWG. NBI-A FOR SHEAR KEY ELEVATIONS



**D END BLOCK STEM REINFORCING DETAILS**  
NBI  
3/4" = 1'-0"



**STEM ELEVATION ALONG C OF STEM**



**2 REINFORCING PLAN VIEW IN FORM**  
NBI  
1/4" = 1'-0"

**SHOP DRAWING REVIEW**

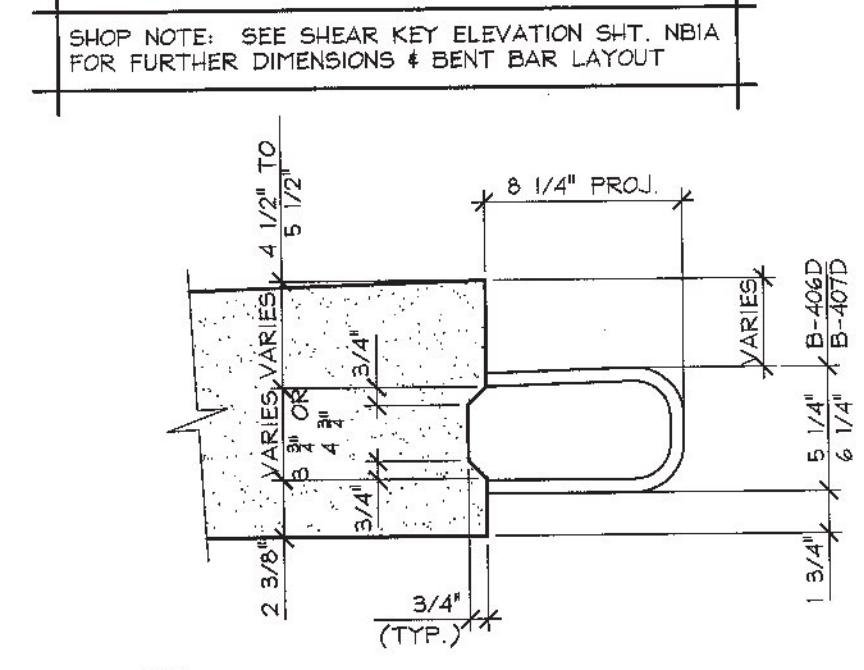
REVIEWED AS REQUIRED BY THE CONSTRUCTION CONTRACT DOCUMENTS AND APPROVED, BUT ONLY FOR CONFORMANCE TO THE DESIGN CONCEPT OF THE WORK, AND SUBJECT TO FURTHER LIMITATIONS AND REQUIREMENTS CONTAINED IN THE CONSTRUCTION CONTRACT DOCUMENTS.

REJECTED  REVISE AND RESUBMIT  APPROVED AS NOTED

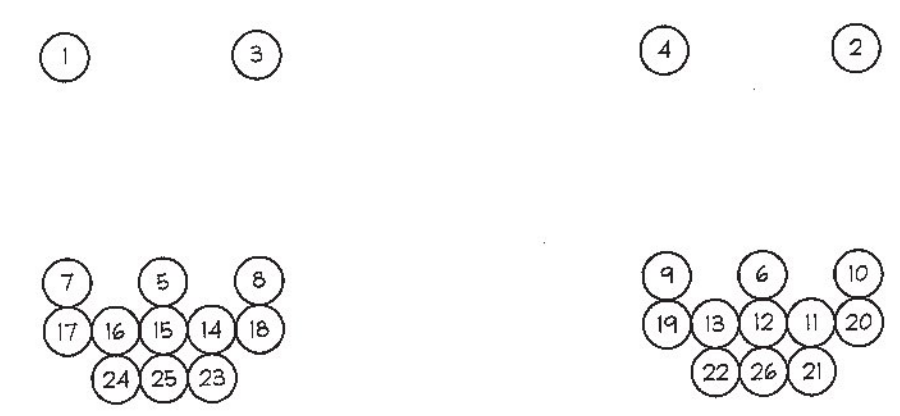
CORRECTIONS OR COMMENTS MADE ON THE SHOP DRAWINGS DURING THIS REVIEW DID NOT RELIEVE CONTRACTOR FROM COMPLIANCE WITH REQUIREMENTS OF THE DRAWINGS AND SPECIFICATIONS. THIS CHECK IS ONLY FOR REVIEW OF GENERAL CONFORMANCE WITH THE DESIGN CONCEPT OF THE PROJECT AND GENERAL COMPLIANCE WITH THE INFORMATION GIVEN IN THE CONTRACT DOCUMENTS. THE CONTRACTOR IS RESPONSIBLE FOR CONFIRMING AND CORRELATING ALL QUANTITIES AND DIMENSIONS, SELECTING FABRICATION PROCESSES AND TECHNIQUES OF CONSTRUCTION, COORDINATING THEIR WORK WITH THAT OF ALL OTHER TRADES, AND PERFORMING THEIR WORK IN A SAFE AND SATISFACTORY MANNER.

**CHD** C.D. Consulting Engineers  
40 Commercial Street  
Manchester, NH 03101  
603-966-6223

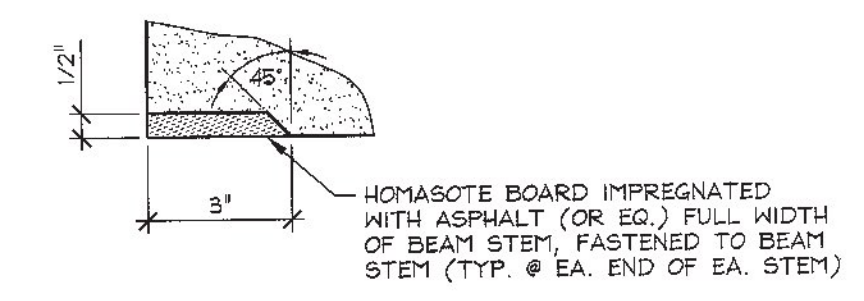
Job Number: 120174  
Reviewed by: SRB  
Date: 06/11/2015



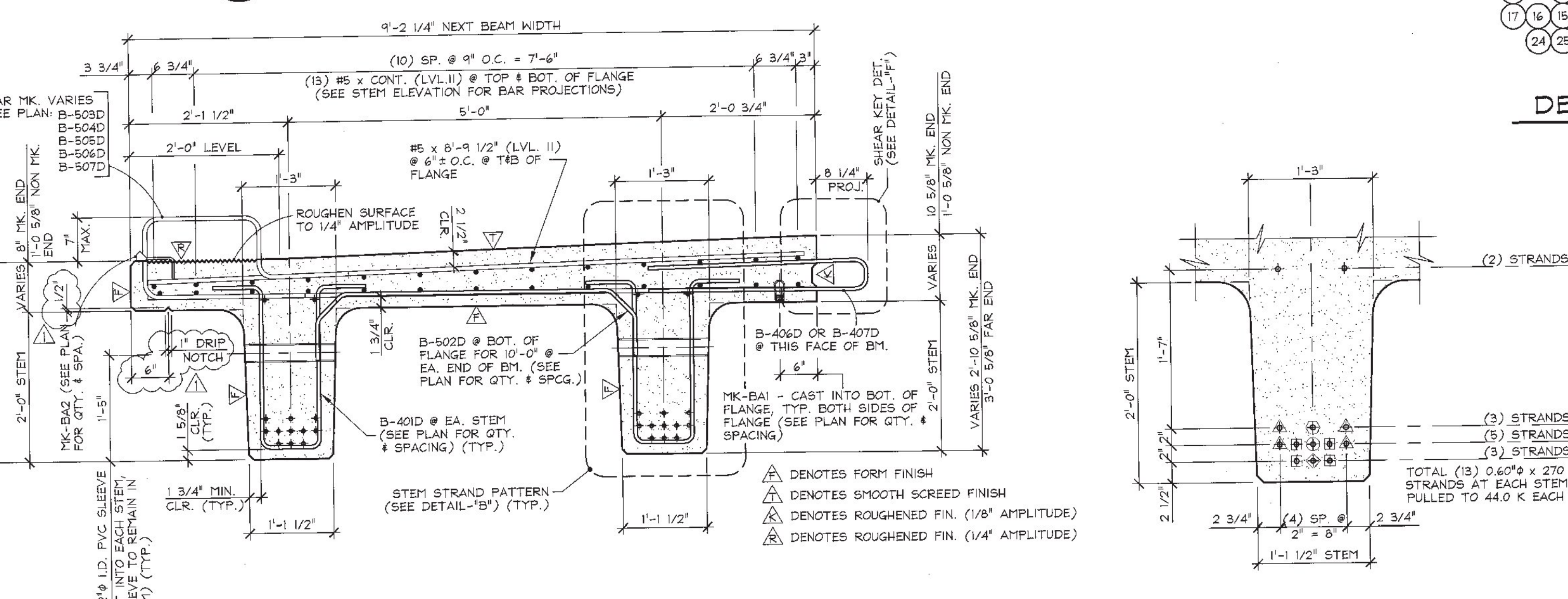
**F SHEAR KEY DETAIL**  
NBI  
1 1/2" = 1'-0"



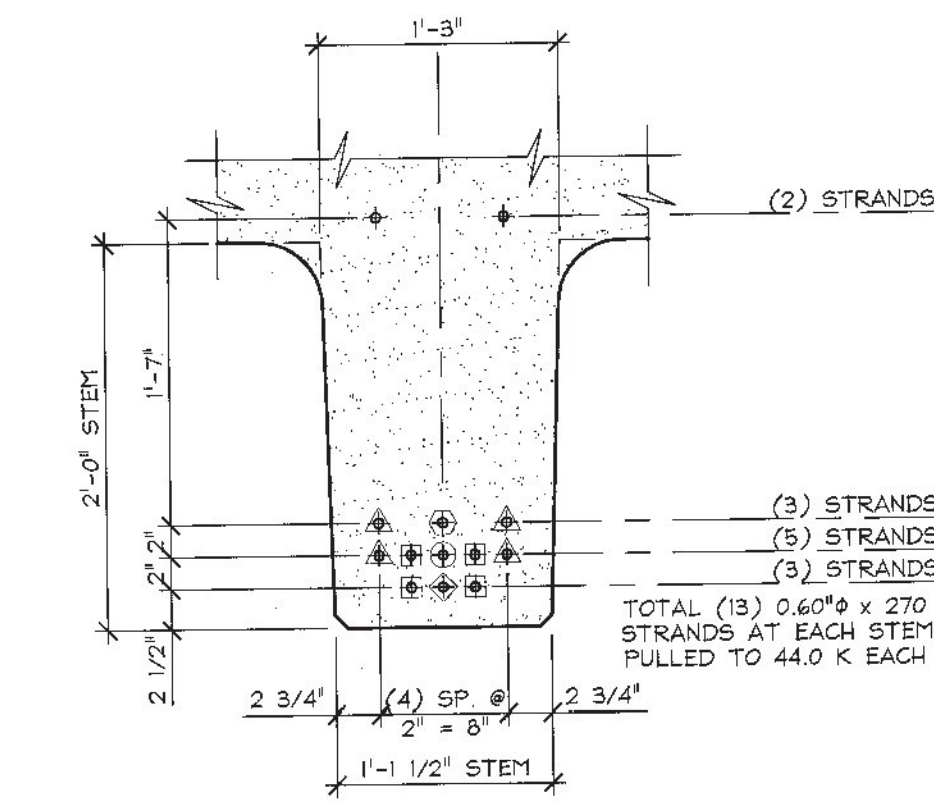
**DETENSIONING SCHEDULE**  
N.T.S.



**C HOMASOTE DETAIL**  
NBI  
3" = 1'-0"



**A DIMENSIONAL & REINFORCING SECTION**  
NBI  
3/4" = 1'-0"



**B STEM STRAND PATTERN**  
NBI  
1" = 1'-0"

- PRESTRESSING NOTATIONS**
- ⊕ DENOTES STRAIGHT STRANDS TO BE DEBONDED 6" FROM EA. END OF EA. STEM
  - ⊕ DENOTES FULLY BONDED STRAIGHT STRANDS EXTENDED 2'-0" FROM EA. END OF EA. STEM
  - ⊕ DENOTES STRAIGHT STRANDS TO BE DEBONDED 8'-0" FROM EA. END OF EA. STEM
  - ⊕ DENOTES STRAIGHT STRANDS TO BE DEBONDED 2'-0" FROM EA. END OF EA. STEM
  - ⊕ DENOTES FULLY BONDED STRAIGHT STRANDS TO BE CUT FLUSH W/ EA. END OF EA. STEM
- TOTAL (18) 0.60" x 270 KSI STRANDS AT EACH STEM, PULLED TO 44.0 K EACH

6/9/2015 REVISED AS NOTED T.D.  
5/28/2015 REVISED AS NOTED T.D.

APPROVAL STAMP:

**J.P. CARRARA & SONS INC.**  
Precast & Prestress Manufacturer  
2414 DICE ST., WINDLEBURY, VERMONT 05753 Phone: (802)388-6361 Fax: (802)388-9010

**J.P. Sicard**  
CONTRACTOR  
BARTON, VERMONT

STATE OF VERMONT AGENCY OF TRANSPORTATION  
COUNTY OF ORLEANS

TOWN OF BARTON  
ROARING BROOK ROAD TH #2, RURAL MINOR COLLECTOR  
BRIDGE NO.: 8 PROJECT NO.: BRO 1449(31)

DATE: FEB. 25, 2015  
SCALE: NOTED  
CHKD: - DFTM: T.D.  
JOB NO: 23462-015

**PRESTRESSED NEXT BEAM DETAILS**  
DWG. NO: NBI

MATERIAL LIST / NEXT BEAM			
ITEM	MARK	DESCRIPTION	QTY.
1	MK-BA1	3/4" F42 FERRULE INSERT (GALV.)	11
2	MK-BA2	DAYTON C-24 TYPE 4-APR DECK FORM HANGER (GALV.)	11
3			
4	B-401D	#4 BENT BAR (LEVEL II, DUAL COATED)	122
5	B-406D	#4 BENT BAR (LEVEL II, DUAL COATED)	45
6	B-407D	#4 BENT BAR (LEVEL II, DUAL COATED)	45
7	B-400D	#4 BENT BAR (LEVEL II, DUAL COATED)	16
8	B-502D	#5 BENT BAR (LEVEL II, DUAL COATED)	42
9	B-503D	#5 BENT BAR (LEVEL II, DUAL COATED)	15
10	B-504D	#5 BENT BAR (LEVEL II, DUAL COATED)	13
11	B-505D	#5 BENT BAR (LEVEL II, DUAL COATED)	13
12	B-506D	#5 BENT BAR (LEVEL II, DUAL COATED)	13
13	B-507D	#5 BENT BAR (LEVEL II, DUAL COATED)	15
14		#4 x 8'-9 1/2" (LEVEL II, DUAL COATED)	20
15		#5 x 8'-9 1/2" (LEVEL II, DUAL COATED)	180
16		#5 x 40'-0" (LEVEL II, DUAL COATED)	13
17		#5 x 14'-9" (LEVEL II, DUAL COATED)	13
18		#5 x 30'-0" (LEVEL II, DUAL COATED)	13
19		#5 x 19'-0" (LEVEL II, DUAL COATED)	13
20		SET OF (4) 0.60" STRAND LIFTING LOOPS	4