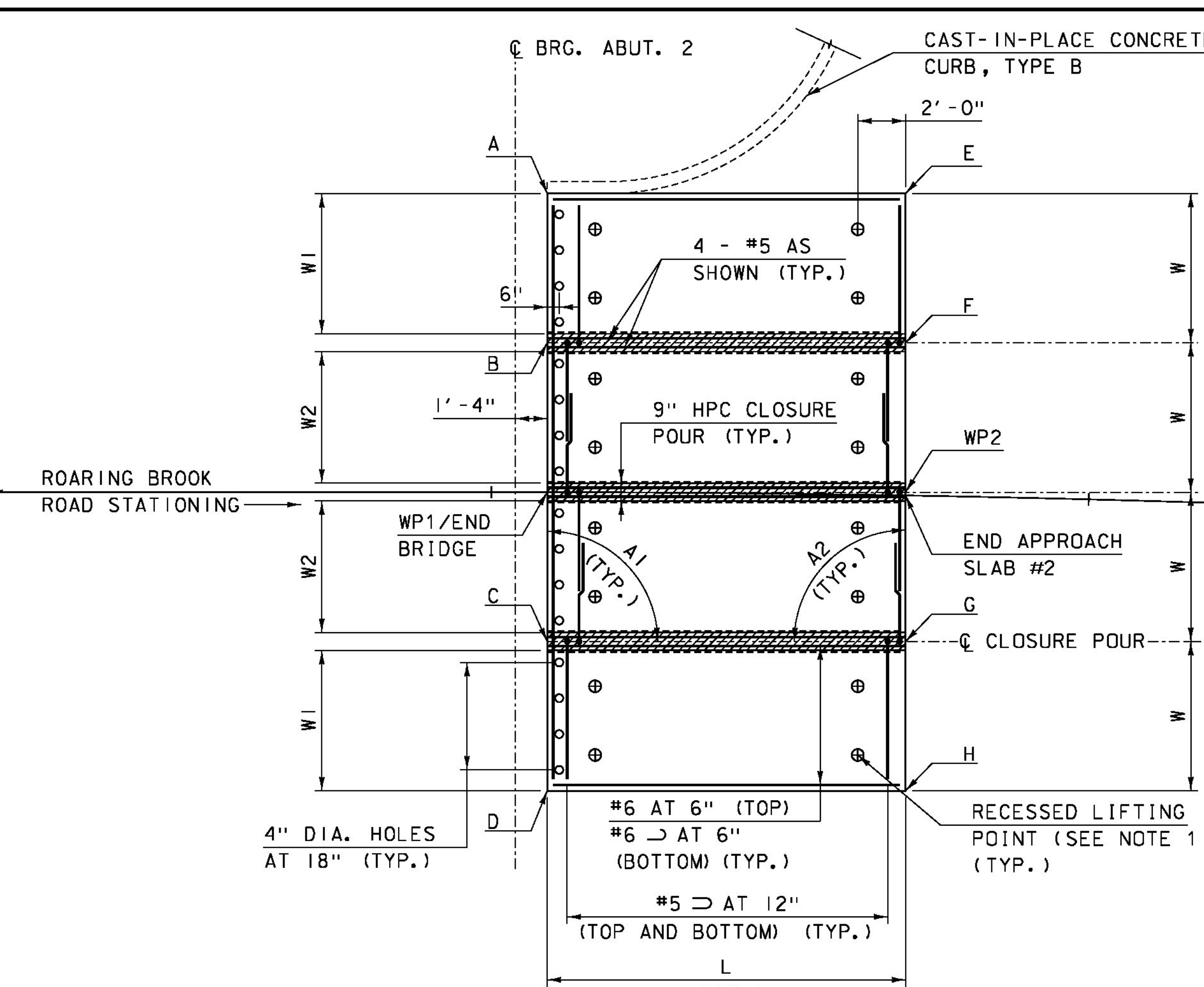


APPROACH SLAB 1 PLAN VIEW
SCALE: 1/4" = 1'-0"



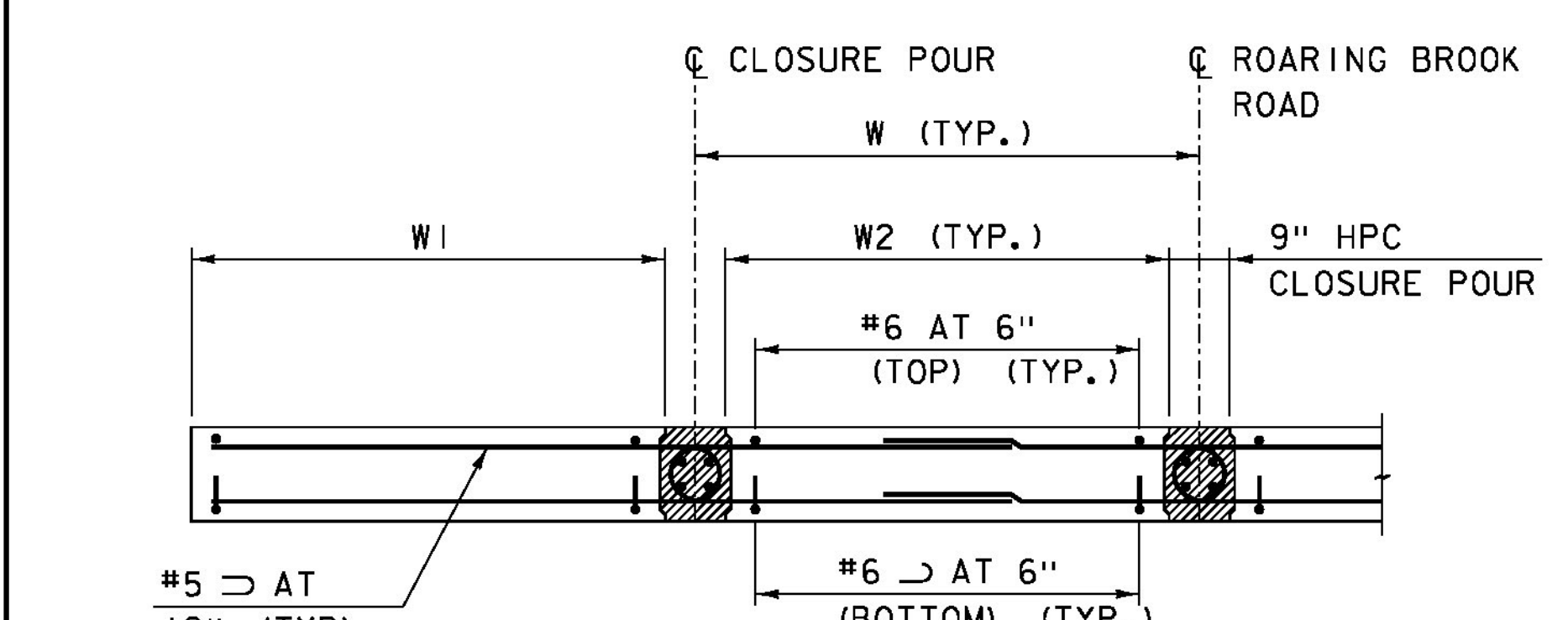
APPROACH SLAB 2 PLAN VIEW
SCALE: 1/4" = 1'-0"

APPROACH SLAB DIMENSIONS

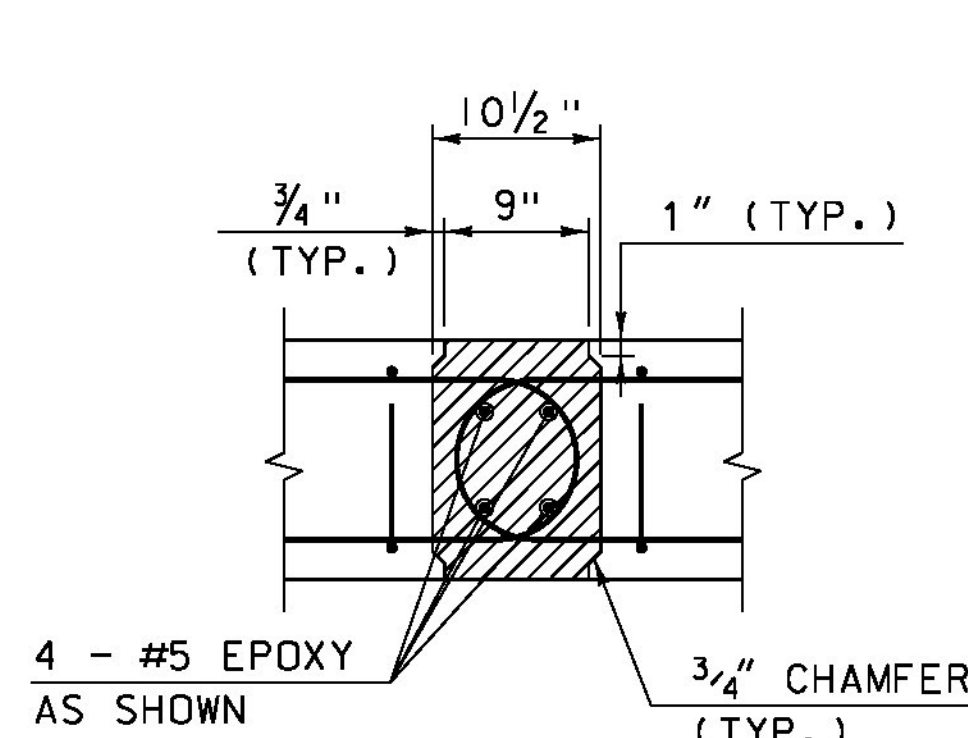
APPROACH SLAB #1	A1	90°
	A2	90°
APPROACH SLAB #2	A1	90°
	A2	90°
T	VARIES (1'-2" TO 1'-3 7/8")	
L	15'-0"	
W	6'-3"	
W1	5'-10 1/2"	
W2	5'-6"	

APPROACH SLAB ELEVATIONS

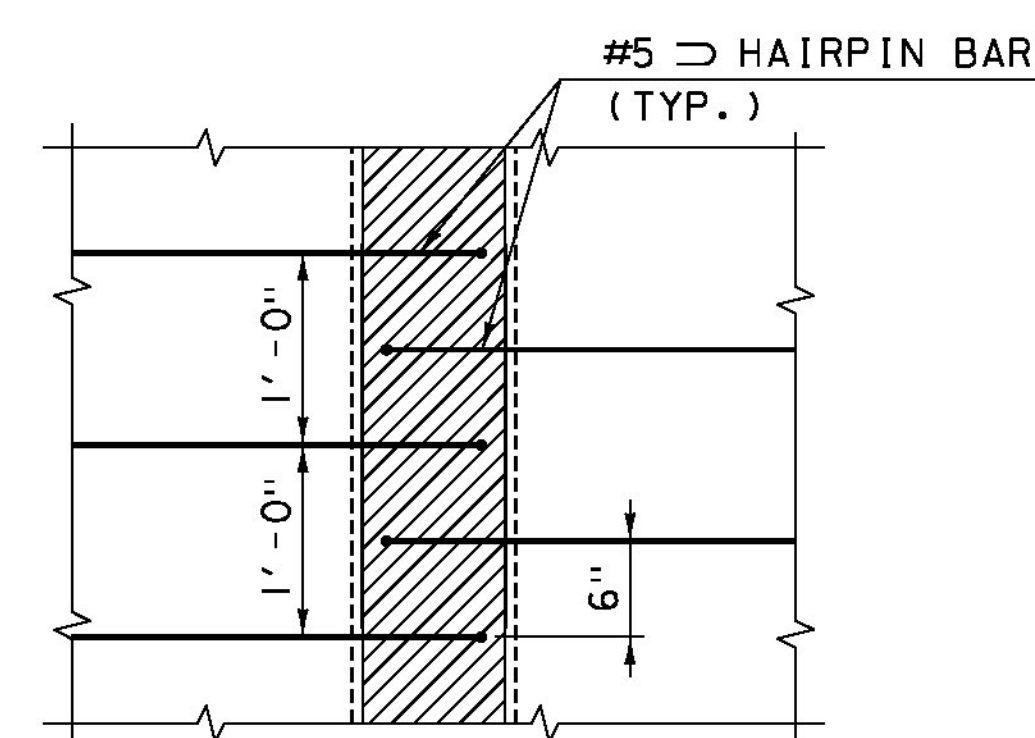
	STATION	OFFSET	TOP OF SLAB ELEVATION	BOTTOM OF SLAB ELEVATION
1A	42+89.67	-12.50	1138.96	1137.79
1B	42+89.67	-6.25	1139.22	1138.02
BEGIN/WP1 AS #1	42+89.67	0.00	1139.49	1138.24
1C	42+89.67	6.25	1139.75	1138.47
1D	42+89.67	12.50	1140.01	1138.69
1E	43+04.67	-12.50	1139.20	1137.88
1F	43+04.67	-6.25	1139.40	1138.12
WP2 AS#1/BEGIN BRIDGE	43+04.67	0.00	1139.60	1138.35
1G	43+04.67	6.25	1139.80	1138.59
1H	43+04.67	12.50	1140.00	1138.83
2A	43+52.32	-12.50	1139.98	1138.81
2B	43+52.33	-6.25	1139.98	1138.77
END BRIDGE/WP1 AS#2	43+52.33	0.00	1139.98	1138.74
2C	43+52.34	6.25	1139.98	1138.70
2D	43+52.35	12.50	1139.98	1138.66
2E	43+67.12	-12.63	1140.23	1138.91
2F	43+67.22	-6.39	1140.16	1138.88
WP2	43+67.33	-0.14	1140.10	1138.86
END AS #2	43+67.33	0.00	1140.10	1138.86
2G	43+67.44	6.11	1140.04	1138.83
2H	43+67.55	12.36	1139.97	1138.80



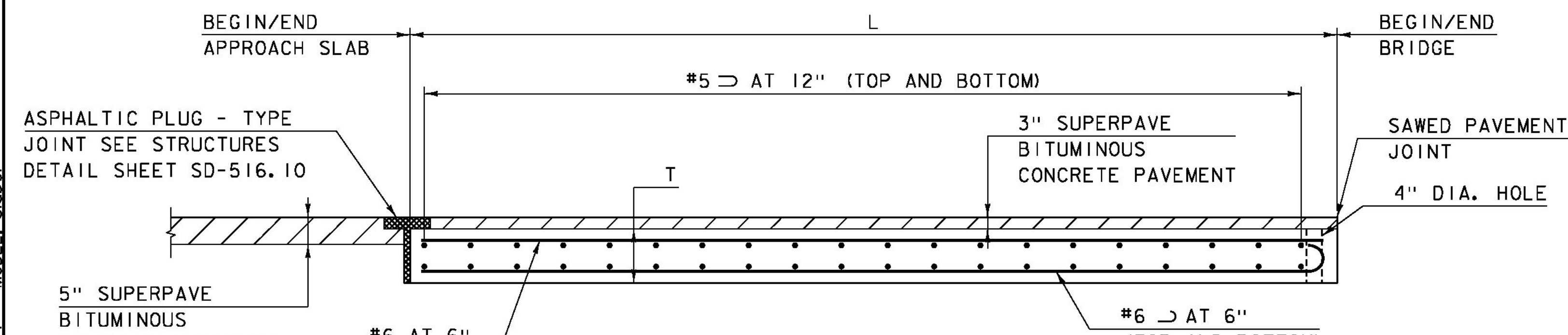
SECTION A-A
SCALE: 1/2" = 1'-0"



JOINT DETAIL SECTION
SCALE: 1" = 1'-0"



JOINT DETAIL PLAN
SCALE: 1" = 1'-0"



APPROACH SLAB ELEVATION VIEW
SCALE: 1/2" = 1'-0"

- NOTES:
- FABRICATOR TO DESIGN LIFTING POINTS AND INCLUDE CALCULATIONS WITH SUBMITTAL.
 - 2" CLEAR UNLESS OTHERWISE SPECIFIED ON THE PLANS.
 - 2'-6" BAR LAP UNLESS OTHERWISE SPECIFIED ON THE PLANS.
 - THE CROSS SLOPE TRANSITIONS ALONG THE FULL LENGTH OF THE APPROACH SLABS AND BRIDGE. SEE APPROACH SLAB TOP AND BOTTOM ELEVATIONS THIS SHEET.

PROJECT NAME: BARTON
 PROJECT NUMBER: BRF 0269(13)
 FILE NAME: zllj068slab.dgn
 PROJECT LEADER: J. BYATT
 DESIGNED BY: S. BEAUMONT
 APPROACH SLAB DETAILS

PLOT DATE: 12/17/2014
 DRAWN BY: M. SMITH
 CHECKED BY: J. BYATT
 SHEET 38 OF 52

CLD 12-0174 MODEL: Slab01