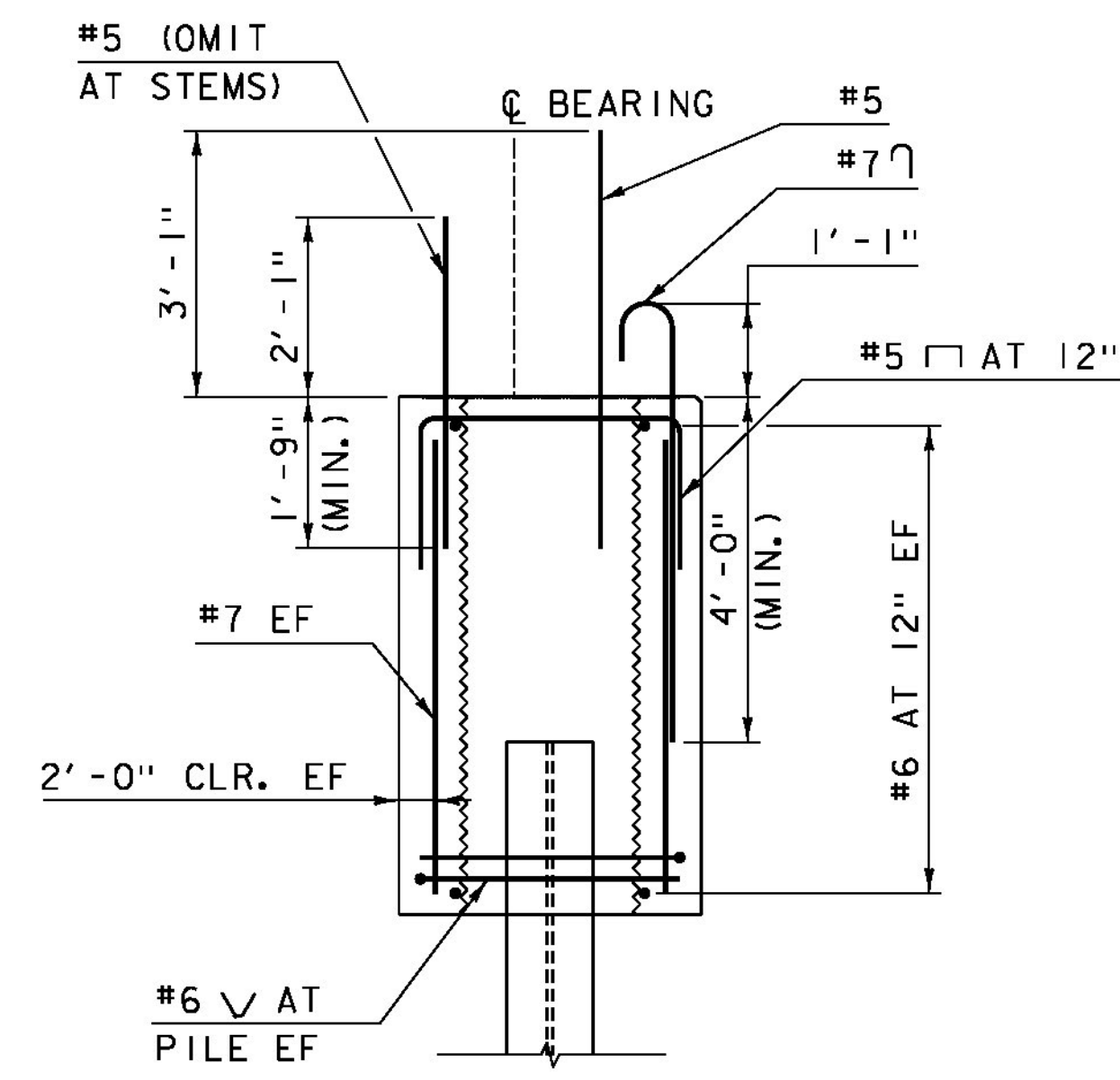
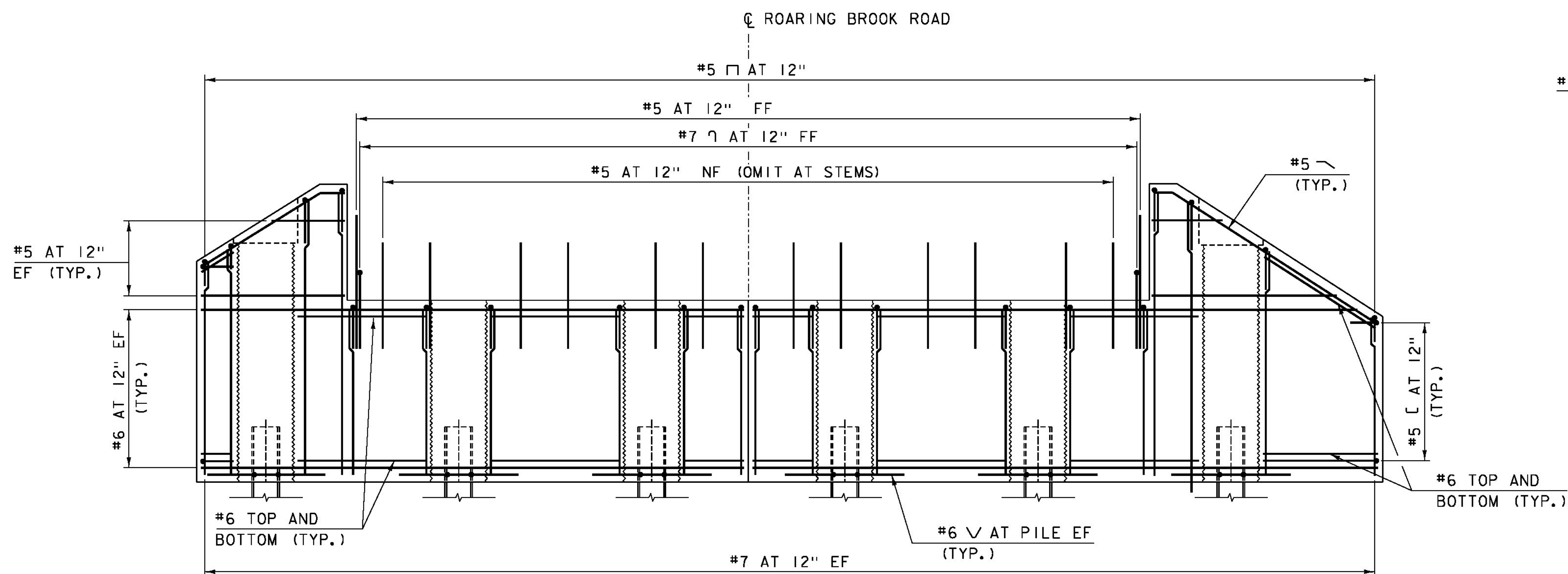


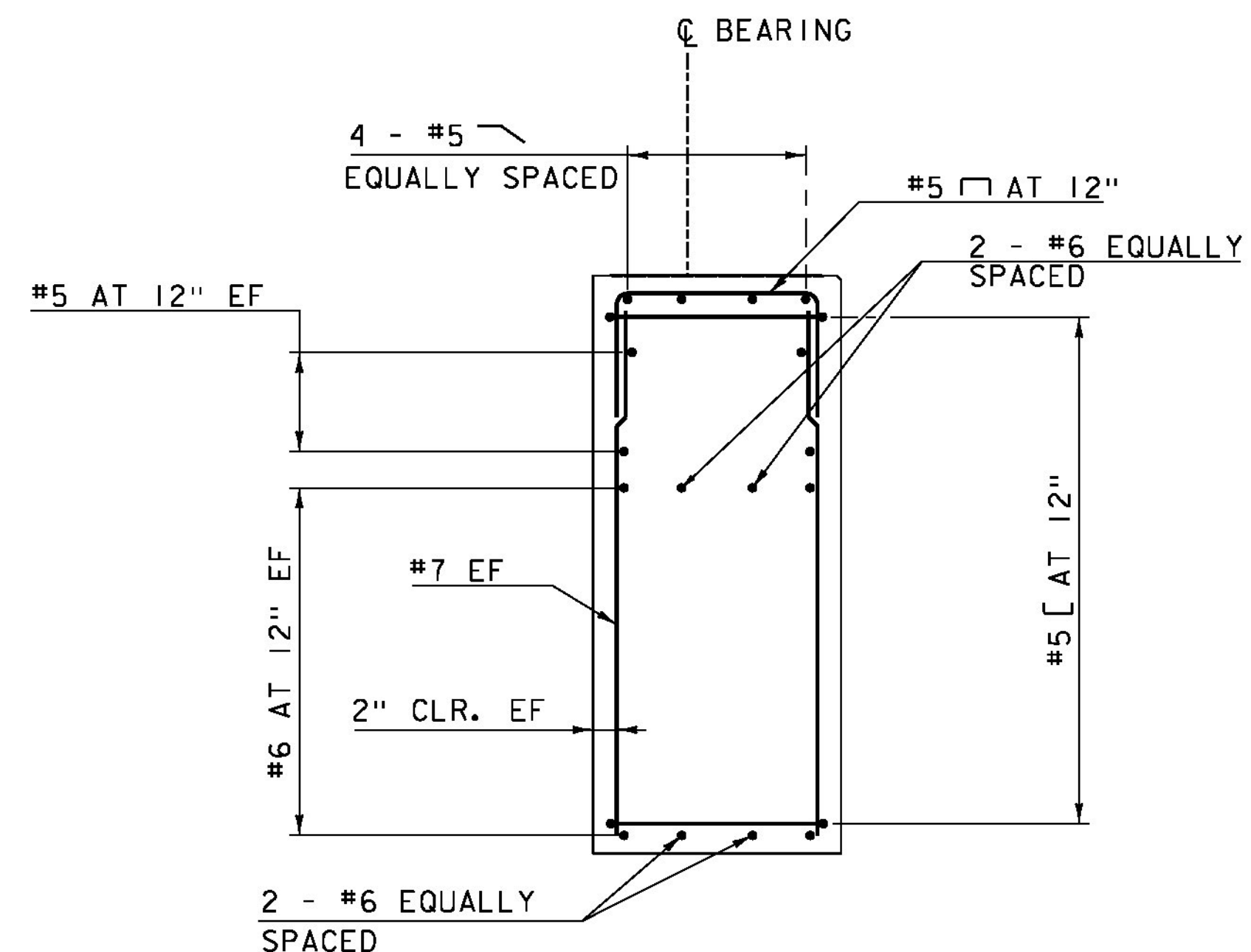
ABUTMENT 2 REINFORCING PLAN (PCU 2)
SCALE: 3/8" = 1'-0"



SECTION A-A
SCALE: 1/2" = 1'-0"



ABUTMENT 2 REINFORCING ELEVATION (PCU 2)
SCALE: 3/8" = 1'-0"



SECTION B-B
SCALE: 1/2" = 1'-0"

PROJECT NAME: BARTON	PLOT DATE: 12/17/2014
PROJECT NUMBER: BRO 1449(31)	DRAWN BY: M. SMITH
FILE NAME: z11J068abut2.dgn	CHECKED BY: J. BYATT
PROJECT LEADER: J. BYATT	SHEET 36 OF 52
DESIGNED BY: S. BEAUMONT	
ABUTMENT 2 REINFORCING	

