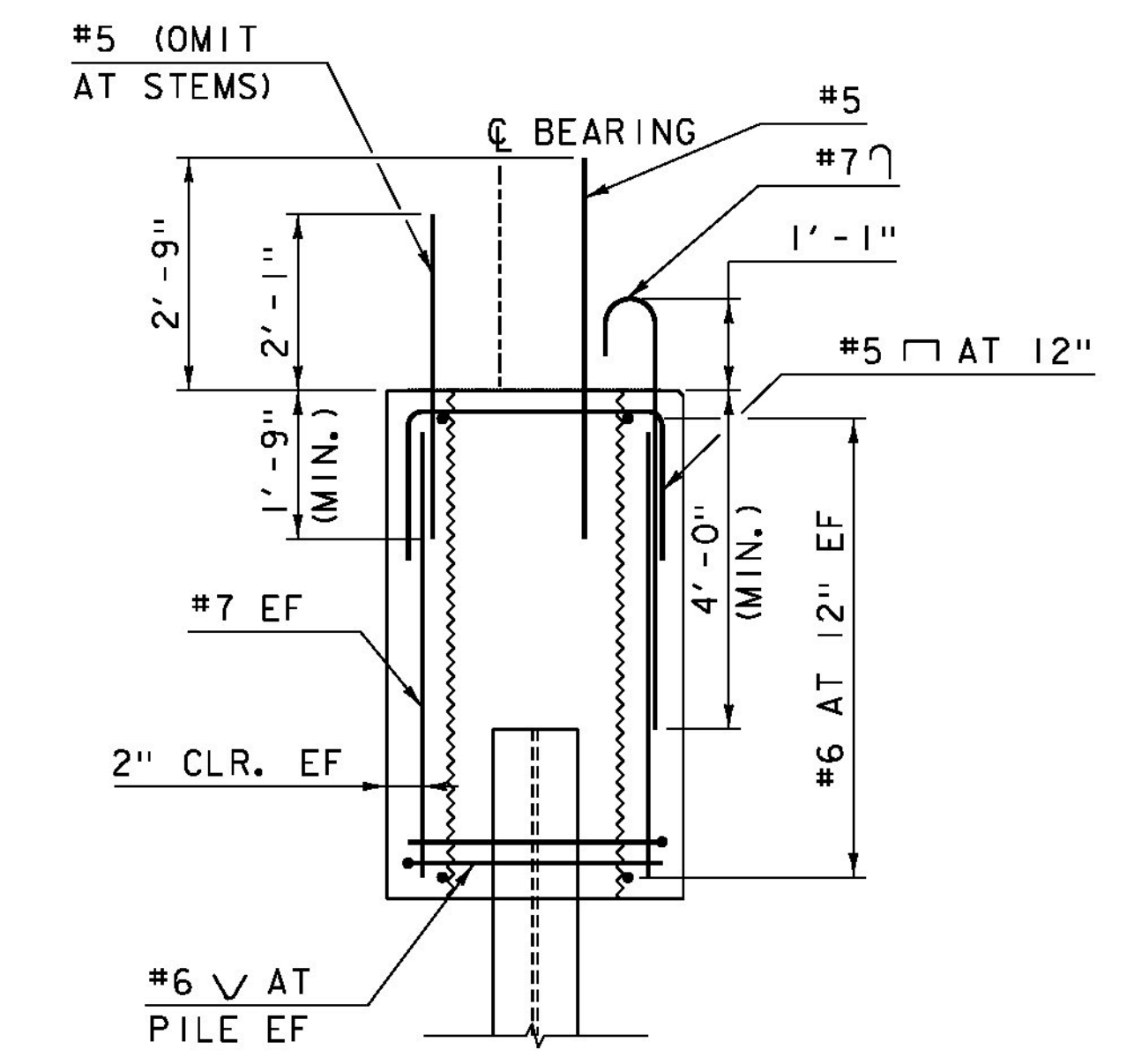
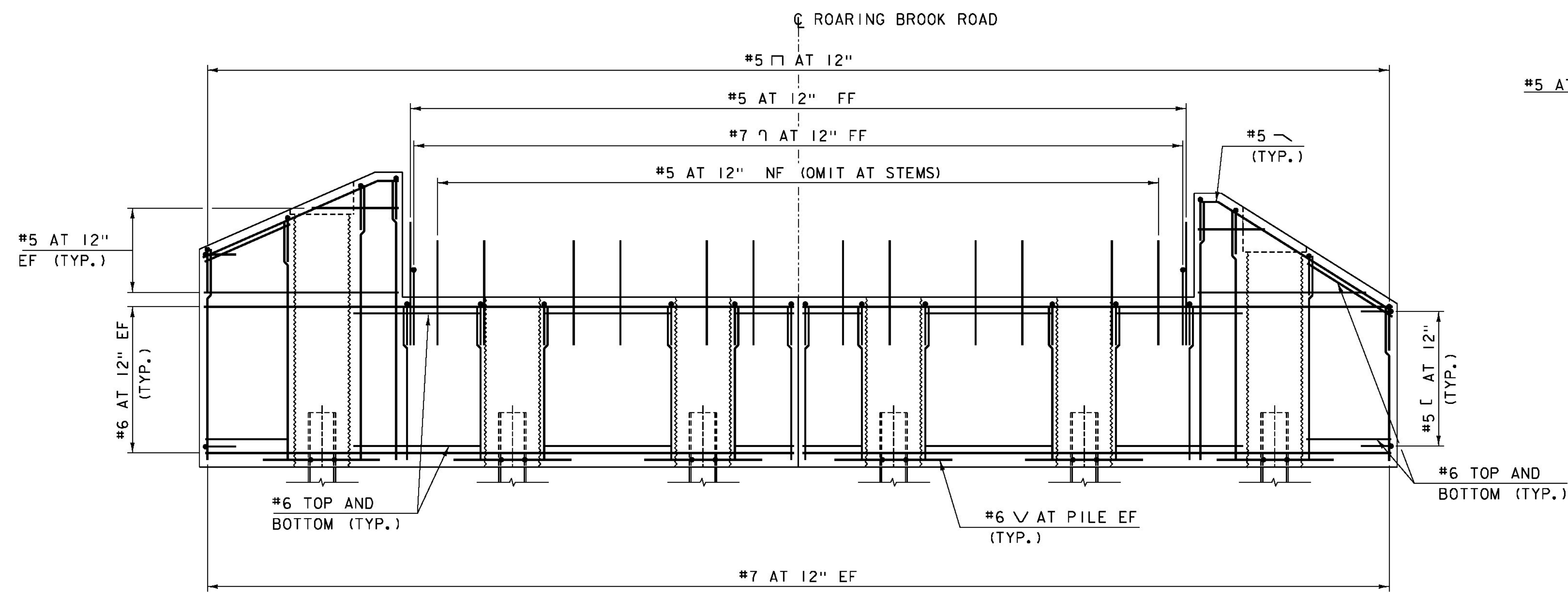


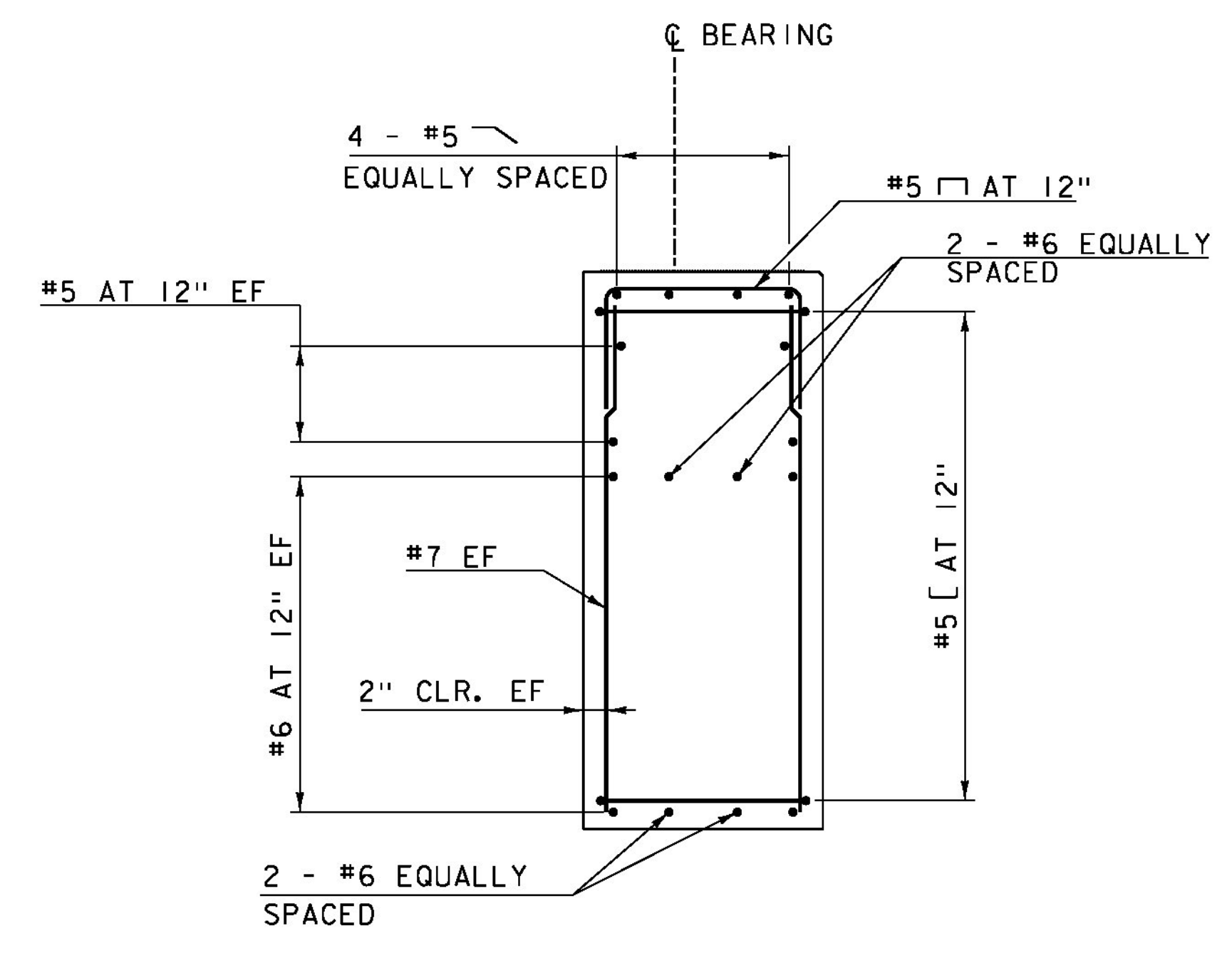
ABUTMENT I REINFORCING PLAN (PCU I)
SCALE: 3/8" = 1'-0"



SECTION A-A
SCALE: 1/2" = 1'-0"



ABUTMENT I REINFORCING ELEVATION (PCU I)
SCALE: 3/8" = 1'-0"



SECTION B-B
SCALE: 1/2" = 1'-0"

PROJECT NAME:	BARTON	PLOT DATE:	12/17/2014	
PROJECT NUMBER:	BRO 1449(31)	DRAWN BY:	M. SMITH	
FILE NAME:	z11j068abut1.dgn	DESIGNED BY:	S. BEAUMONT	
PROJECT LEADER:	J. BYATT	ABUTMENT I REINFORCING	CHECKED BY:	J. BYATT
			SHEET	34 OF 52

