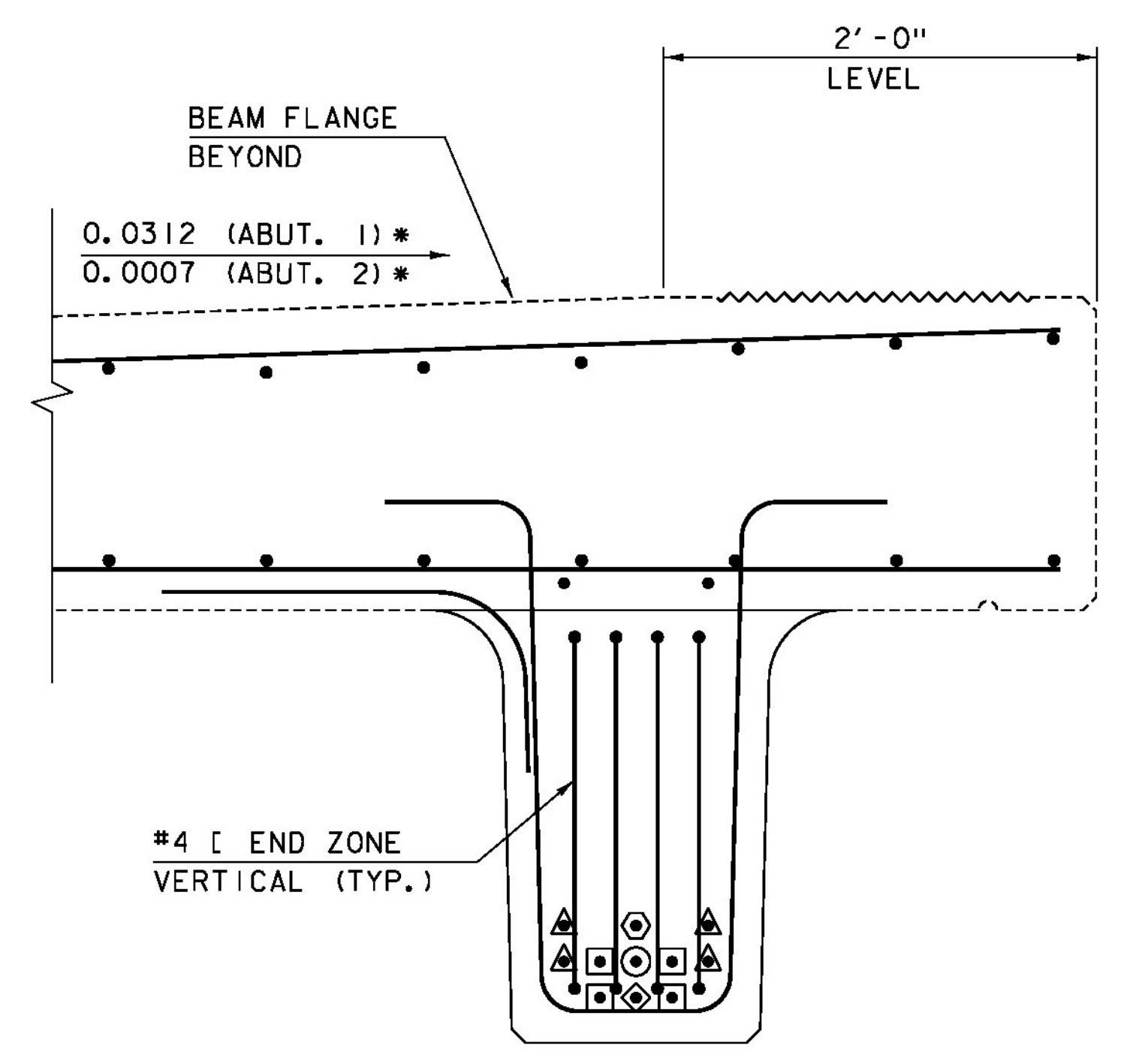
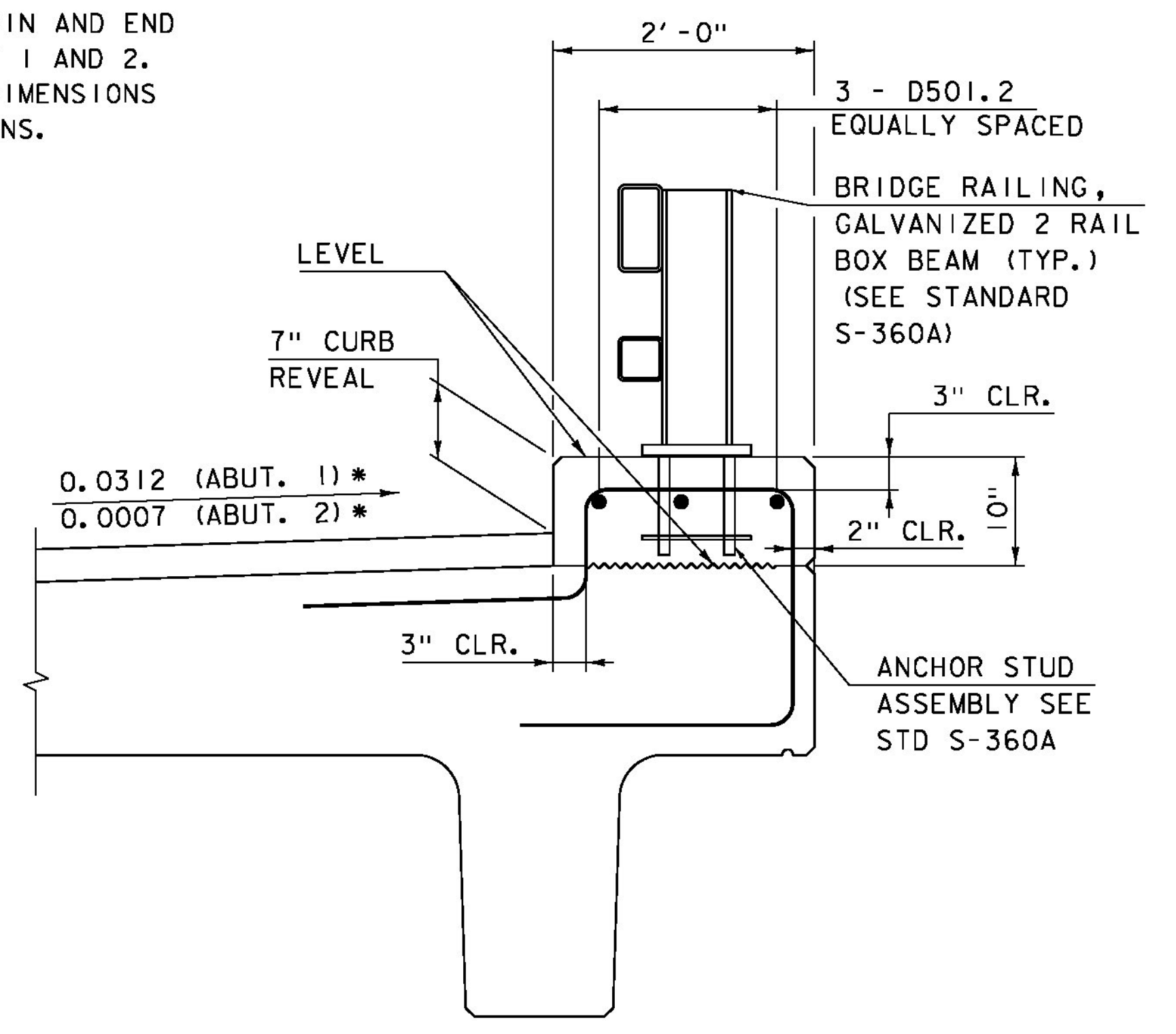


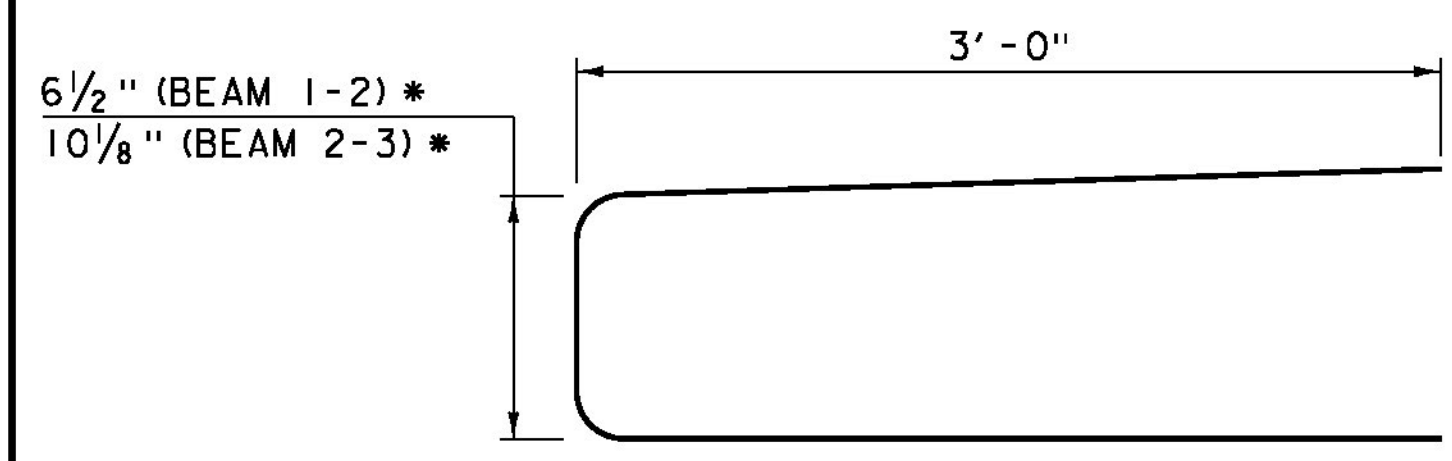
* DIMENSIONS TAKEN AT BEGIN AND END BEAM FLANGE AT ABUTMENT 1 AND 2. TRANSITION SLOPES AND DIMENSIONS BETWEEN THE TWO LOCATIONS.



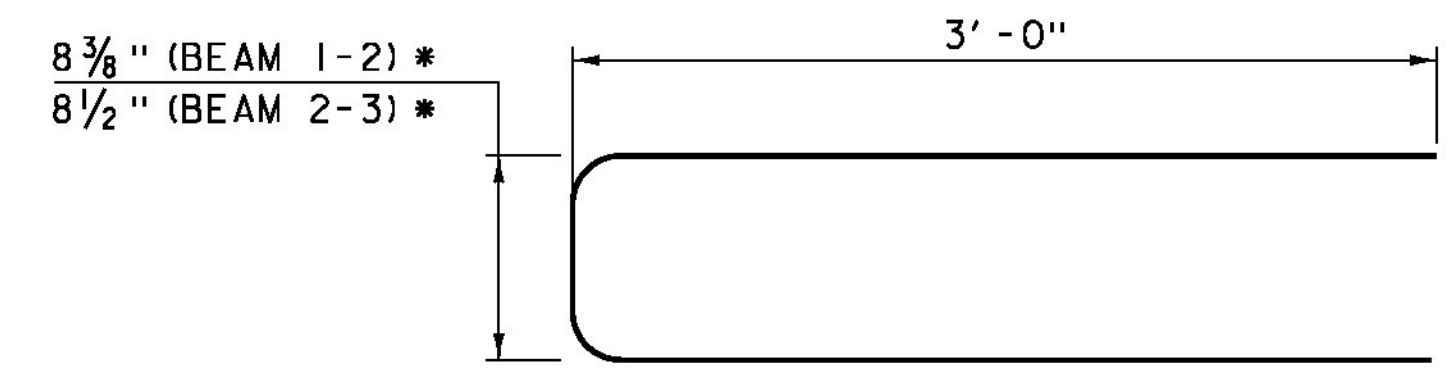
END SECTION DETAIL
SCALE: 1/2" = 1'-0"



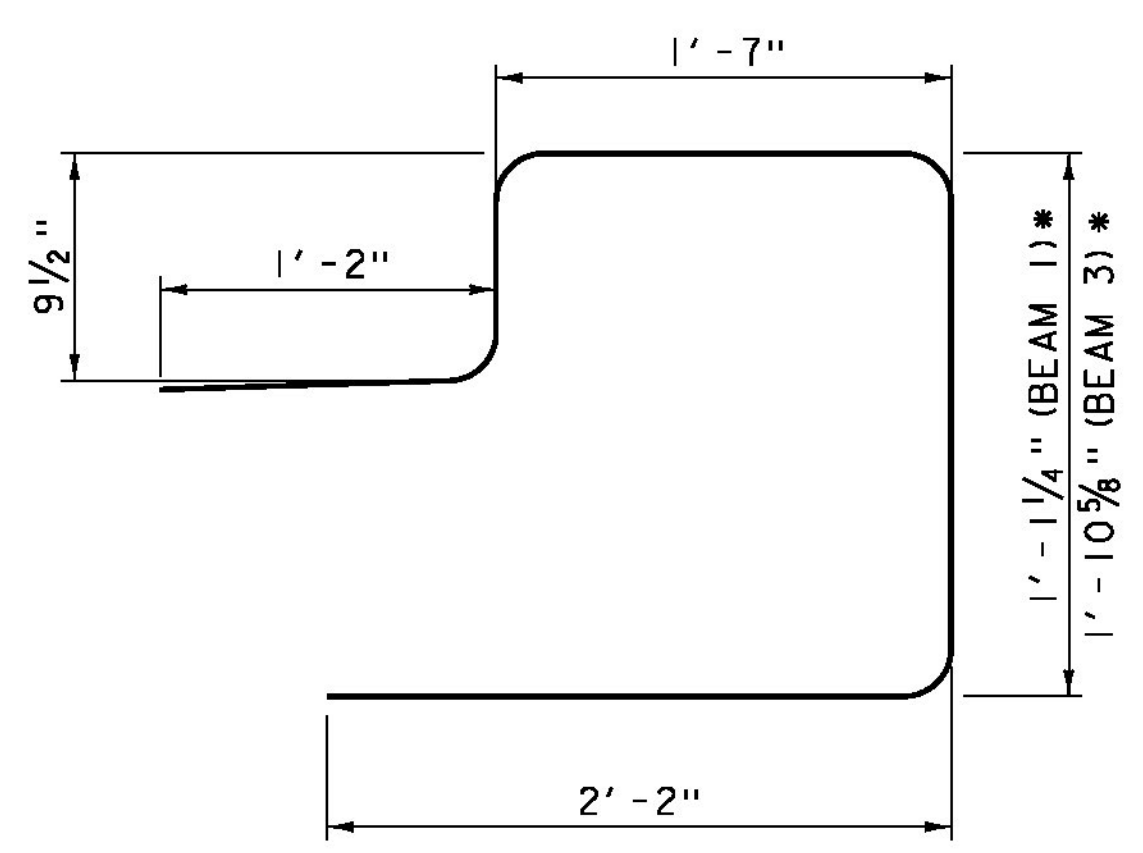
CURB SECTION
SCALE: 1" = 1'-0"



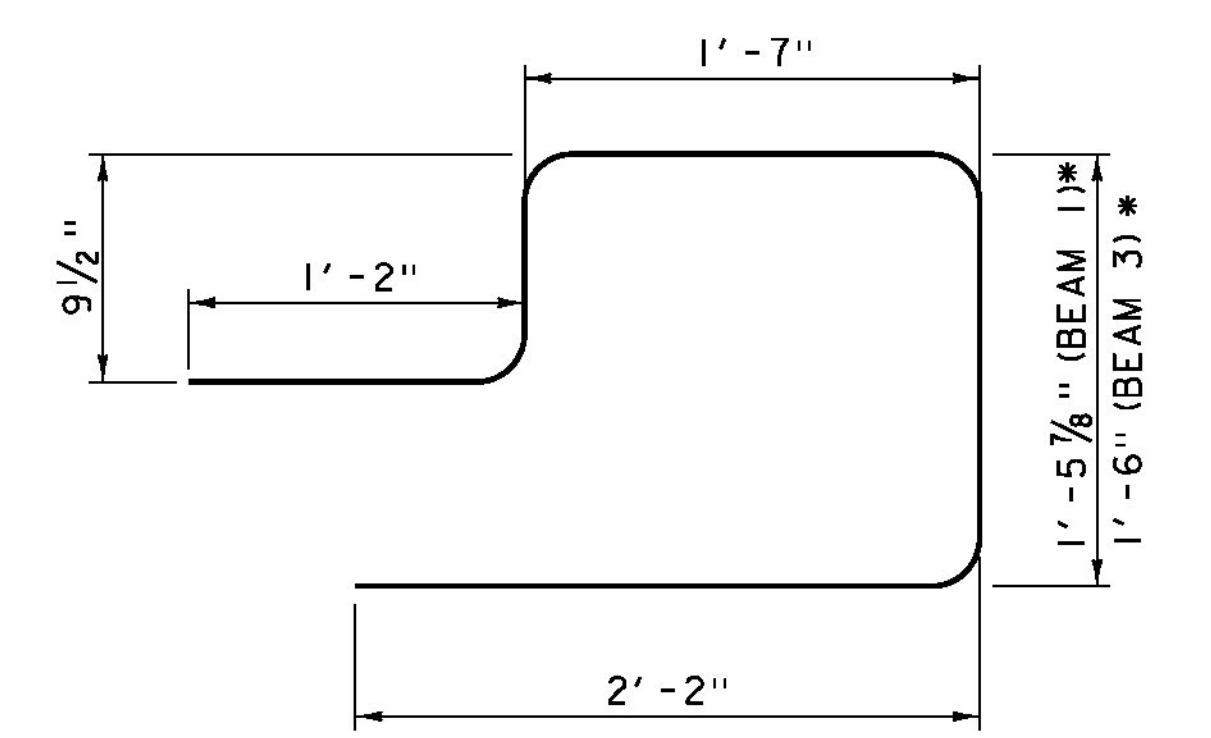
HAIRPIN BAR DETAIL AT ABUTMENT 1
SCALE: 1/2" = 1'-0"



HAIRPIN BAR DETAIL AT ABUTMENT 2
SCALE: 1/2" = 1'-0"



CURB BAR DETAIL AT ABUTMENT 1
SCALE: 1/2" = 1'-0"



CURB BAR DETAIL AT ABUTMENT 2
SCALE: 1/2" = 1'-0"

- ◇ DENOTES STRAND DEBONDED 8'-0" FROM EACH END OF BEAM
- DENOTES STRAND DEBONDED 4'-0" FROM EACH END OF BEAM
- ◊ DENOTES STRAND DEBONDED 2'-0" FROM EACH END OF BEAM
- △ DENOTES STRAND DEBONDED 6" FROM EACH END OF BEAM
- DENOTES FULLY BONDED STRAND EXTENDED 2'-0" FROM BEAM END

* HAIRPIN AND CURB BAR DIMENSIONS ARE TAKEN AT BEGIN AND END BEAM FLANGE AT ABUTMENT 1 AND 2, RESPECTIVELY. TRANSITION SLOPES AND DIMENSIONS BETWEEN THE TWO LOCATIONS.

MODEL: SUP04
CLD 12-0174



PROJECT NAME: BARTON	PLOT DATE: 12/17/2014
PROJECT NUMBER: BRO 1449(31)	DRAWN BY: M. SMITH
FILE NAME: z11j068sup.dgn	CHECKED BY: J. BYATT
PROJECT LEADER: J. BYATT	SHEET 30 OF 52
DESIGNED BY: S. BEAUMONT	
NEXT BEAM DETAILS (2 OF 3)	