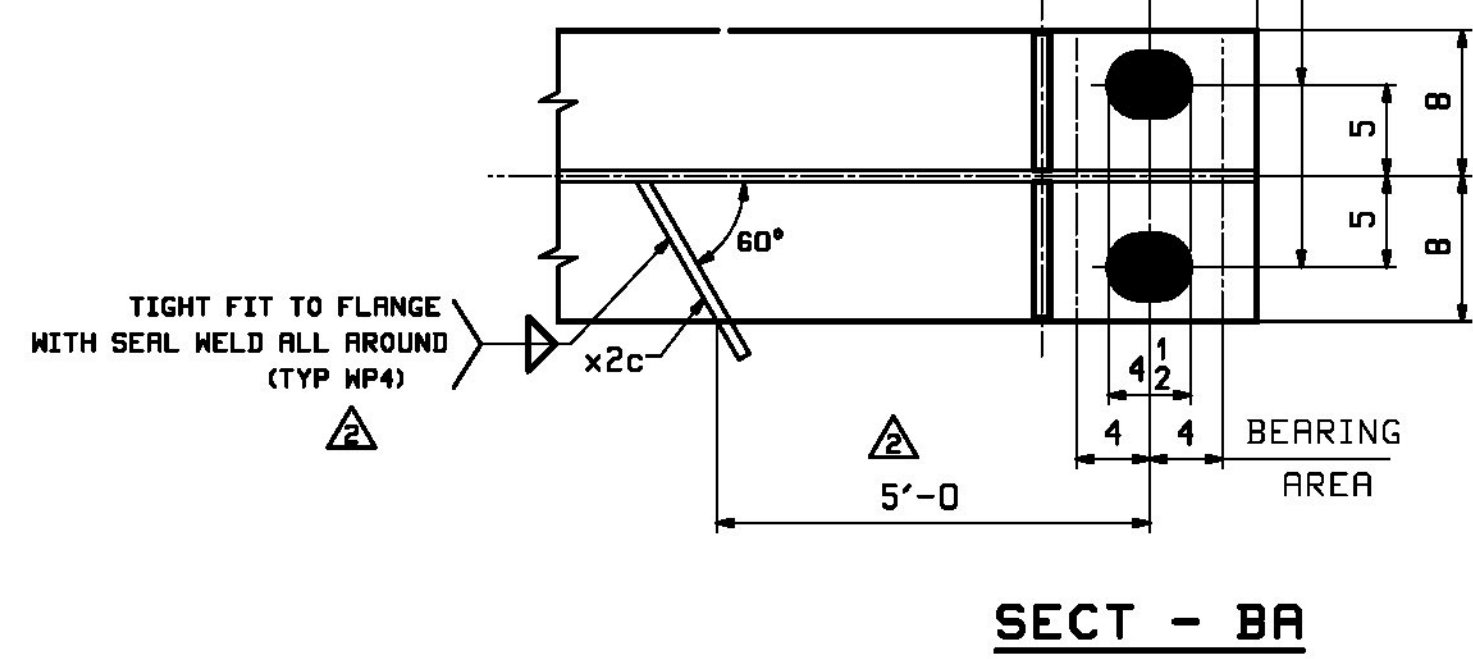
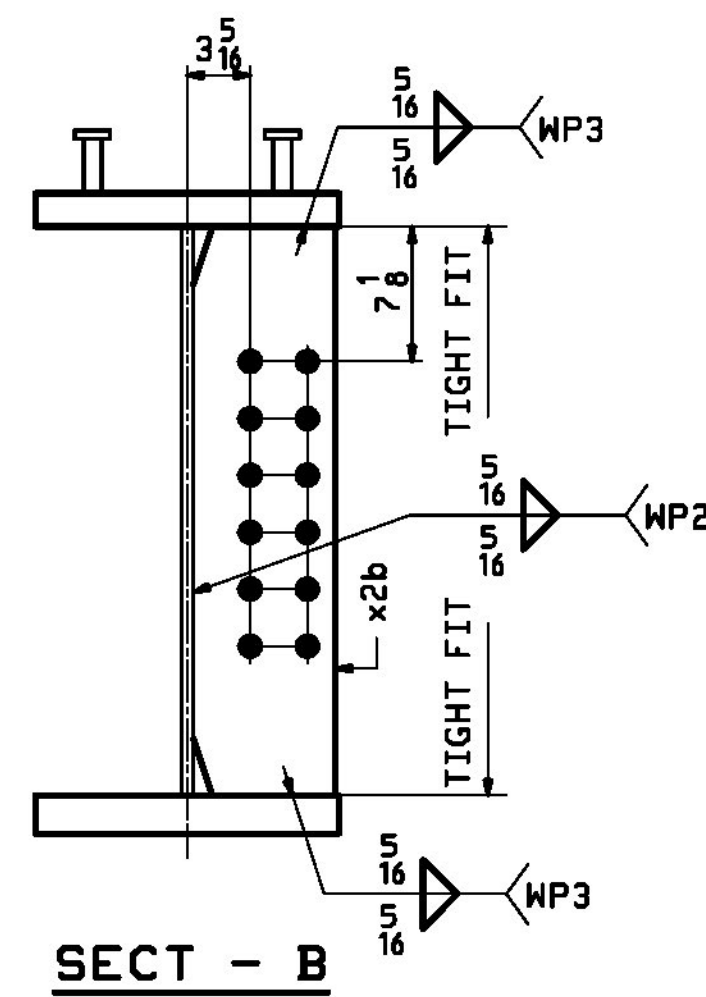
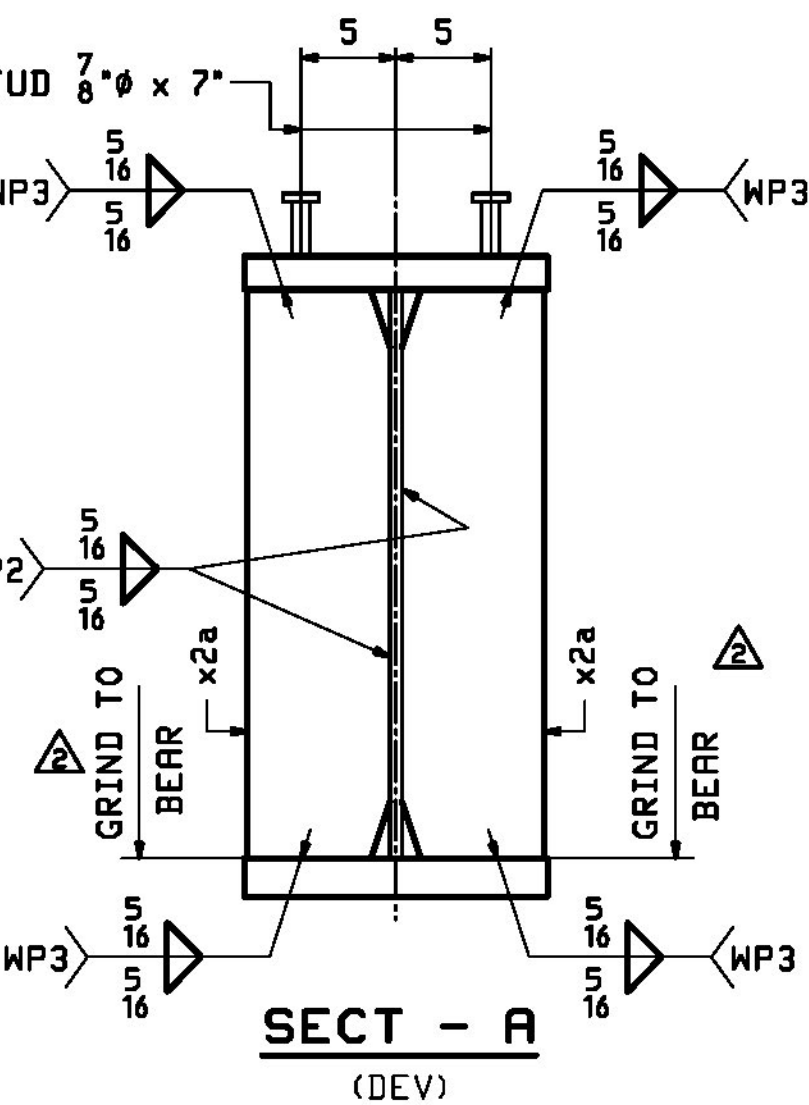
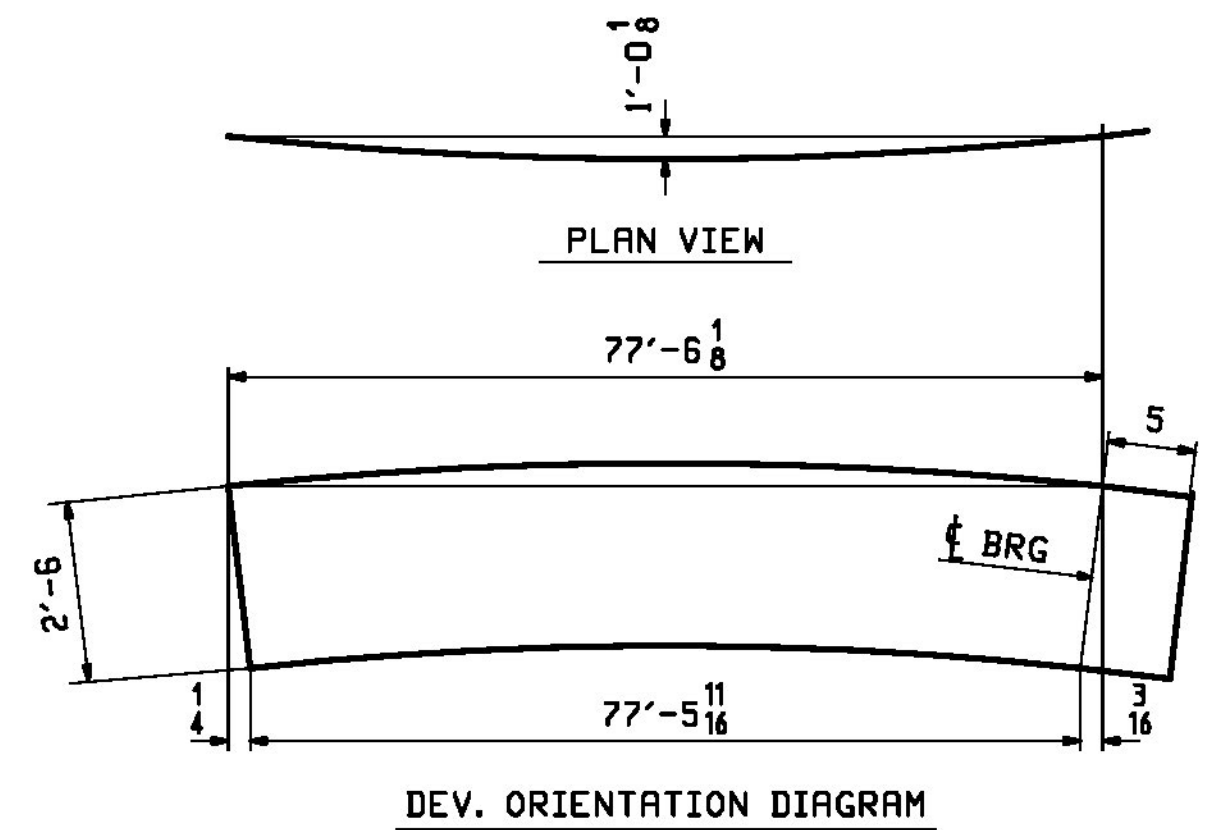


ONE ~ GIRDER ~ 9G4C(DEV.)

- NOTES:
 1. FOR GENERAL NOTES SEE SHEET GNI.
 2. FOR FIELD SPLICE DETAILS SEE SHEET X1.
 3. FOR STANDARD DETAILS SEE SHEET X2.
 4. FOR CAMBER DIAGRAM SEE SHEET C1.
 5. FOR FLANGE DIAGRAM SEE SHEET F1.
 6. T2 - DENOTES MATERIAL SUBJECT TO CHARPY V-NOTCH TESTING.



RBM INFO		BILL OF MATERIAL				JOB NO.	DRAWING NO.	REV.
PAGE LINE	MARK	QTY	MARK	MATERIAL	LENGTH FT INCHES	REMARKS	WT	PROCUREMENT NOTES
	9G4C	1		GIRDER		METALIZED	21454	
1	W	1	wa	PL 3/8 x 30	77 11/8	M270-S0T2	4972	
1	L	1	ta	PL 1/2 x 16	77 11/8	M270-S0T2	7425	
1	R	1	ba	PL 2 x 16	77 10/16	M270-S0T2	8481	
4	C	2	x2a	PL 3/4 x 7 1/2	2 6	MIE M270-S0T2	48	
4	D	4	x2b	PL 1/2 x 7 1/2	2 6	M270-S0T2	32	
4	M	1	x2c	PL 1/2 x 4	0 11	DRIP BAR	3	
4	M	1	x2d	PL 1/2 x 4	0 11	DRIP BAR	3	
5	D	262		STUD 7/8	0 7	STUDS RIBS	1	



REV.	DATE	REMARKS	DWN	CHK	APVL	SHOP
1/28/2018		APPROVAL COMMENTS	LWD	WJL		
0	12/9	APPROVAL COMMENTS	LWD	WJL		

MATERIAL: M270-S0T2 UN. SURFACE PREP. & PRINT: SEE GNI. HOLES: 15/16" UN. SHOP BOLTS: NONE

DESCRIPTION: GIRDER - 9G4C

CASCO BAY STEEL STRUCTURES, INC.
 1 WALLACE AVE. SOUTH PORTLAND, ME 04106
 PHONE (207) 780-6722 FAX. (207) 780-6726

STRUCTURE: TH-2 (RIVER ROAD) BRIDGE #10 COUNTY OF ADDISON
 DRAWN: LWD DATE: 10/23
 CHECKED: WJL DATE: 10/27

LOCATION: TOWN OF NEW HAVEN, VT
 PROJ NO. BRF 0183 (1) JOB NO. 645 DWG NO. 9
 CUSTOMER: CCS CONSTRUCTORS, INC. REV. 9

X1: The Rev. B1, B2, B3, B4, B5, B6, B7, B8, B9, B10, B11, B12, B13, B14, B15, B16, B17, B18, B19, B20, B21, B22, B23, B24, B25, B26, B27, B28, B29, B30, B31, B32, B33, B34, B35, B36, B37, B38, B39, B40, B41, B42, B43, B44, B45, B46, B47, B48, B49, B50, B51, B52, B53, B54, B55, B56, B57, B58, B59, B60, B61, B62, B63, B64, B65, B66, B67, B68, B69, B70, B71, B72, B73, B74, B75, B76, B77, B78, B79, B80, B81, B82, B83, B84, B85, B86, B87, B88, B89, B90, B91, B92, B93, B94, B95, B96, B97, B98, B99, B100, B101, B102, B103, B104, B105, B106, B107, B108, B109, B110, B111, B112, B113, B114, B115, B116, B117, B118, B119, B120, B121, B122, B123, B124, B125, B126, B127, B128, B129, B130, B131, B132, B133, B134, B135, B136, B137, B138, B139, B140, B141, B142, B143, B144, B145, B146, B147, B148, B149, B150, B151, B152, B153, B154, B155, B156, B157, B158, B159, B160, B161, B162, B163, B164, B165, B166, B167, B168, B169, B170, B171, B172, B173, B174, B175, B176, B177, B178, B179, B180, B181, B182, B183, B184, B185, B186, B187, B188, B189, B190, B191, B192, B193, B194, B195, B196, B197, B198, B199, B200, B201, B202, B203, B204, B205, B206, B207, B208, B209, B210, B211, B212, B213, B214, B215, B216, B217, B218, B219, B220, B221, B222, B223, B224, B225, B226, B227, B228, B229, B230, B231, B232, B233, B234, B235, B236, B237, B238, B239, B240, B241, B242, B243, B244, B245, B246, B247, B248, B249, B250, B251, B252, B253, B254, B255, B256, B257, B258, B259, B260, B261, B262, B263, B264, B265, B266, B267, B268, B269, B270, B271, B272, B273, B274, B275, B276, B277, B278, B279, B280, B281, B282, B283, B284, B285, B286, B287, B288, B289, B290, B291, B292, B293, B294, B295, B296, B297, B298, B299, B300, B301, B302, B303, B304, B305, B306, B307, B308, B309, B310, B311, B312, B313, B314, B315, B316, B317, B318, B319, B320, B321, B322, B323, B324, B325, B326, B327, B328, B329, B330, B331, B332, B333, B334, B335, B336, B337, B338, B339, B340, B341, B342, B343, B344, B345, B346, B347, B348, B349, B350, B351, B352, B353, B354, B355, B356, B357, B358, B359, B360, B361, B362, B363, B364, B365, B366, B367, B368, B369, B370, B371, B372, B373, B374, B375, B376, B377, B378, B379, B380, B381, B382, B383, B384, B385, B386, B387, B388, B389, B390, B391, B392, B393, B394, B395, B396, B397, B398, B399, B400, B401, B402, B403, B404, B405, B406, B407, B408, B409, B410, B411, B412, B413, B414, B415, B416, B417, B418, B419, B420, B421, B422, B423, B424, B425, B426, B427, B428, B429, B430, B431, B432, B433, B434, B435, B436, B437, B438, B439, B440, B441, B442, B443, B444, B445, B446, B447, B448, B449, B450, B451, B452, B453, B454, B455, B456, B457, B458, B459, B460, B461, B462, B463, B464, B465, B466, B467, B468, B469, B470, B471, B472, B473, B474, B475, B476, B477, B478, B479, B480, B481, B482, B483, B484, B485, B486, B487, B488, B489, B490, B491, B492, B493, B494, B495, B496, B497, B498, B499, B500, B501, B502, B503, B504, B505, B506, B507, B508, B509, B510, B511, B512, B513, B514, B515, B516, B517, B518, B519, B520, B521, B522, B523, B524, B525, B526, B527, B528, B529, B530, B531, B532, B533, B534, B535, B536, B537, B538, B539, B540, B541, B542, B543, B544, B545, B546, B547, B548, B549, B550, B551, B552, B553, B554, B555, B556, B557, B558, B559, B560, B561, B562, B563, B564, B565, B566, B567, B568, B569, B570, B571, B572, B573, B574, B575, B576, B577, B578, B579, B580, B581, B582, B583, B584, B585, B586, B587, B588, B589, B590, B591, B592, B593, B594, B595, B596, B597, B598, B599, B600, B601, B602, B603, B604, B605, B606, B607, B608, B609, B610, B611, B612, B613, B614, B615, B616, B617, B618, B619, B620, B621, B622, B623, B624, B625, B626, B627, B628, B629, B630, B631, B632, B633, B634, B635, B636, B637, B638, B639, B640, B641, B642, B643, B644, B645, B646, B647, B648, B649, B650, B651, B652, B653, B654, B655, B656, B657, B658, B659, B660, B661, B662, B663, B664, B665, B666, B667, B668, B669, B670, B671, B672, B673, B674, B675, B676, B677, B678, B679, B680, B681, B682, B683, B684, B685, B686, B687, B688, B689, B690, B691, B692, B693, B694, B695, B696, B697, B698, B699, B700, B701, B702, B703, B704, B705, B706, B707, B708, B709, B710, B711, B712, B713, B714, B715, B716, B717, B718, B719, B720, B721, B722, B723, B724, B725, B726, B727, B728, B729, B730, B731, B732, B733, B734, B735, B736, B737, B738, B739, B740, B741, B742, B743, B744, B745, B746, B747, B748, B749, B750, B751, B752, B753, B754, B755, B756, B757, B758, B759, B760, B761, B762, B763, B764, B765, B766, B767, B768, B769, B770, B771, B772, B773, B774, B775, B776, B777, B778, B779, B780, B781, B782, B783, B784, B785, B786, B787, B788, B789, B790, B791, B792, B793, B794, B795, B796, B797, B798, B799, B800, B801, B802, B803, B804, B805, B806, B807, B808, B809, B810, B811, B812, B813, B814, B815, B816, B817, B818, B819, B820, B821, B822, B823, B824, B825, B826, B827, B828, B829, B830, B831, B832, B833, B834, B835, B836, B837, B838, B839, B840, B841, B842, B843, B844, B845, B846, B847, B848, B849, B850, B851, B852, B853, B854, B855, B856, B857, B858, B859, B860, B861, B862, B863, B864, B865, B866, B867, B868, B869, B870, B871, B872, B873, B874, B875, B876, B877, B878, B879, B880, B881, B882, B883, B884, B885, B886, B887, B888, B889, B890, B891, B892, B893, B894, B895, B896, B897, B898, B899, B900, B901, B902, B903, B904, B905, B906, B907, B908, B909, B910, B911, B912, B913, B914, B915, B916, B917, B918, B919, B920, B921, B922, B923, B924, B925, B926, B927, B928, B929, B930, B931, B932, B933, B934, B935, B936, B937, B938, B939, B940, B941, B942, B943, B944, B945, B946, B947, B948, B949, B950, B951, B952, B953, B954, B955, B956, B957, B958, B959, B960, B961, B962, B963, B964, B965, B966, B967, B968, B969, B970, B971, B972, B973, B974, B975, B976, B977, B978, B979, B980, B981, B982, B983, B984, B985, B986, B987, B988, B989, B990, B991, B992, B993, B994, B995, B996, B997, B998, B999, B1000.