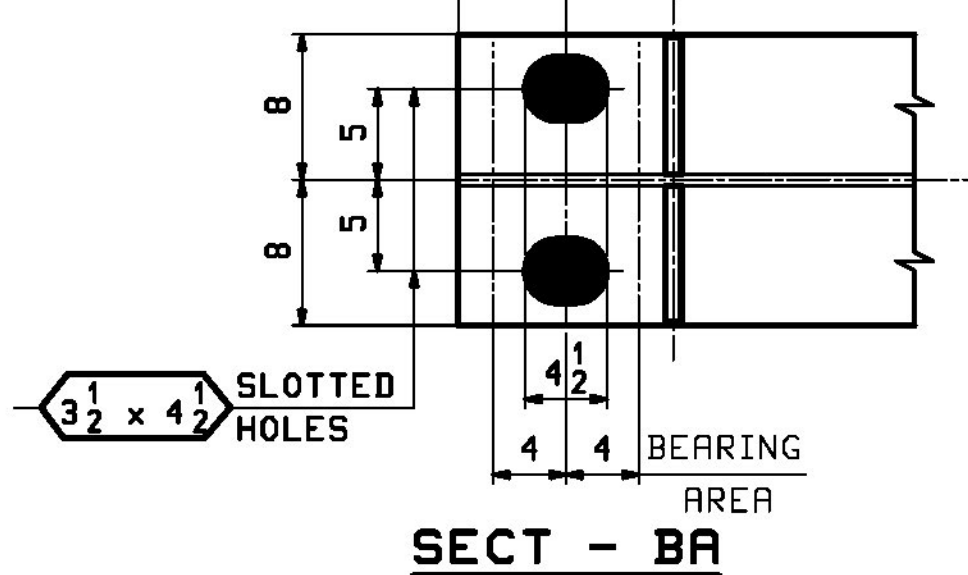
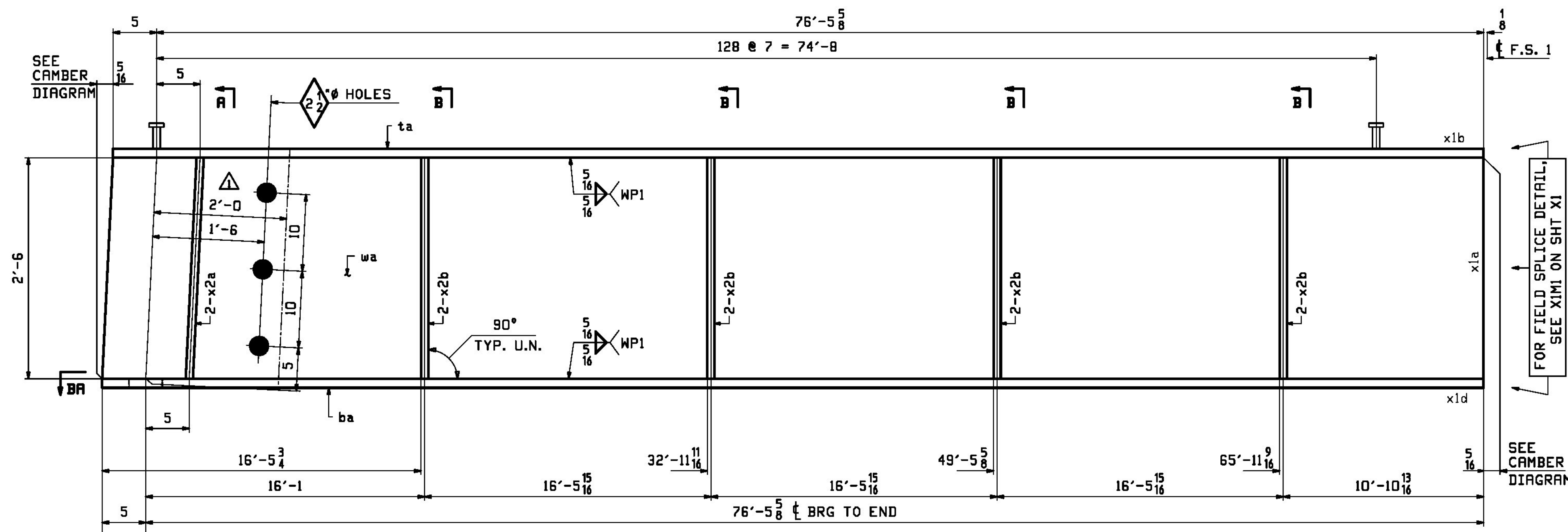
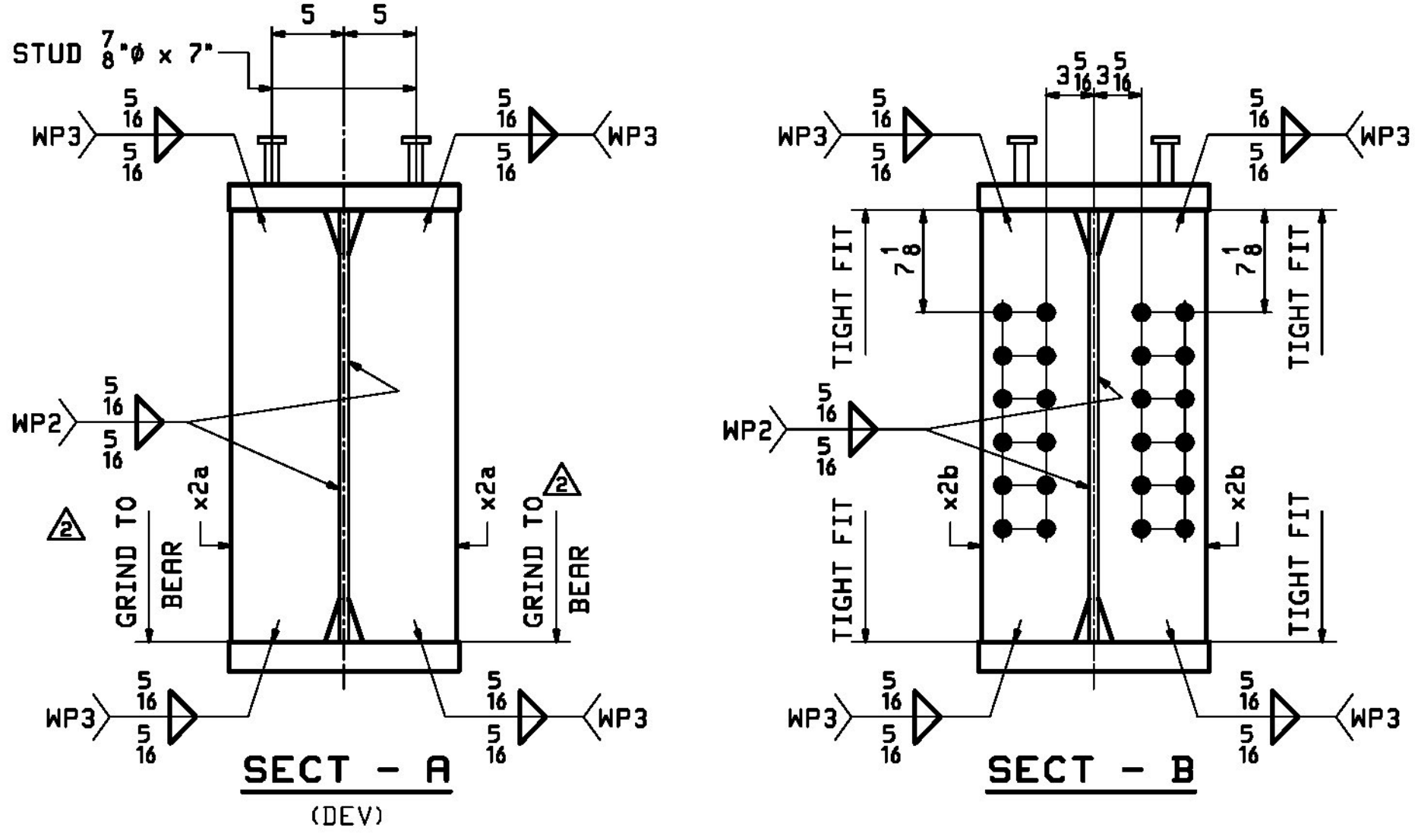
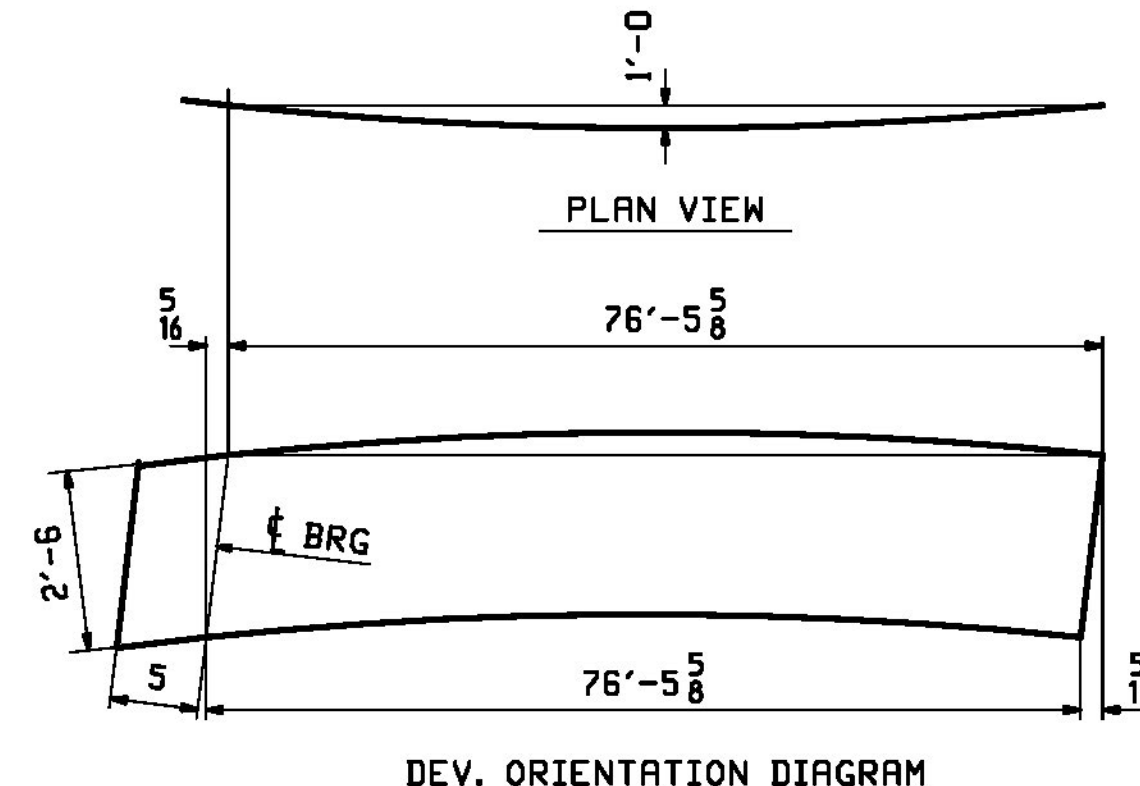


RBM INFO		BILL OF MATERIAL				JOB NO.	DRAWING NO.	REV.
						645	3	
PAGE LINE	MARK	QTY	MARK	MATERIAL	LENGTH FT INCHES	REMARKS	WT	PROCUREMENT NOTES
	3G3A	1		GIRDER		METALIZED	21297	
1	Y	1	wa	PL 3/8 x 30	76 10 15/16	M270-S0T2	4907	
1	N	1	ta	PL 1/2 x 16	76 10 5/8	M270-S0T2	7325	
1	C	1	ba	PL 2 x 16	76 10 5/8	M270-S0T2	8372	
4	C	2	x2a	PL 3/2 x 7 1/2	2 6	MIE M270-S0T2	48	
4	D	8	x2b	PL 1/2 x 7 1/2	2 6	M270-S0T2	32	
5	D	258		STUD 7/8 #	0 7	STUDS RIBS	1	



ONE ~ GIRDER ~ 3G3A(DEV.)

- NOTES:
 1. FOR GENERAL NOTES SEE SHEET GNI.
 2. FOR FIELD SPLICE DETAILS SEE SHEET XI.
 3. FOR STANDARD DETAILS SEE SHEET X2.
 4. FOR CAMBER DIAGRAM SEE SHEET C1.
 5. FOR FLANGE DIAGRAM SEE SHEET F1.
 6. T2 - DENOTES MATERIAL SUBJECT TO CHARPY V-NOTCH TESTING.



REV.	DATE	REMARKS	DWN	CHK	APVL	SHOP
1/28	2018	APPROVAL COMMENTS	LWD	WJL		
12/9		APPROVAL COMMENTS	LWD	WJL		

MATERIAL: M270-S0T2 UN. SURFACE PREP. & PRINT: SEE GNI. HOLES: 15/16 # UN. SHOP BOLTS: NONE

DESCRIPTION: GIRDER - 3G3A

Casco Bay Steel Structures, Inc.
 CASCO BAY STEEL STRUCTURES, INC.
 1 WALLACE AVE. PHONE (207) 780-6722
 SOUTH PORTLAND, ME 04106 FAX. (207) 780-6726

STRUCTURE: TH-2 (RIVER ROAD) BRIDGE #10 COUNTY OF ADDISON
 DRAWN: LWD DATE: 10/21
 CHKD: WJL DATE: 10/27

LOCATION: TOWN OF NEW HAVEN, VT
 JOB NO. 645 DWG NO. 3

PROJ NO. BRF 0183 (1)
 CUSTOMER: CCS CONSTRUCTORS, INC.

X1: The... B1... B21... B34... B45... B56... B67... B78... B89... B90... B91... B92... B93... B94... B95... B96... B97... B98... B99... B100...