

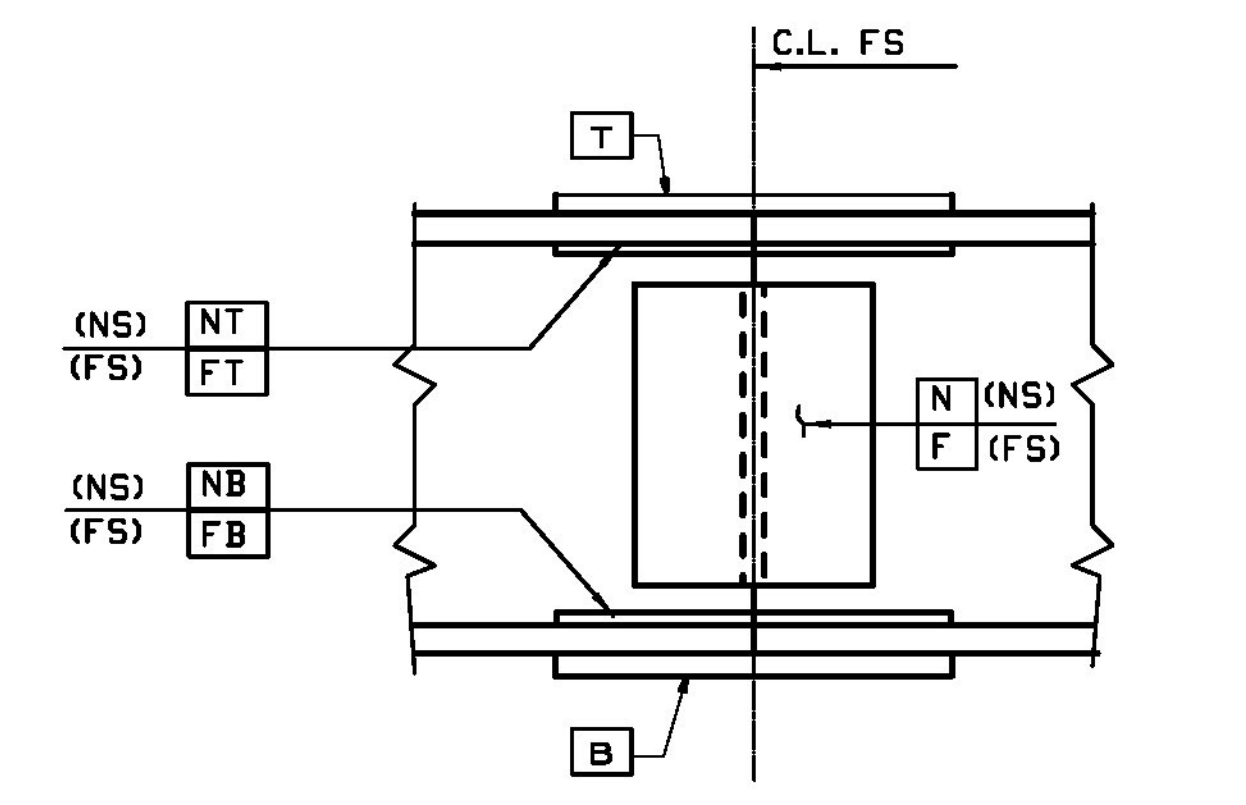
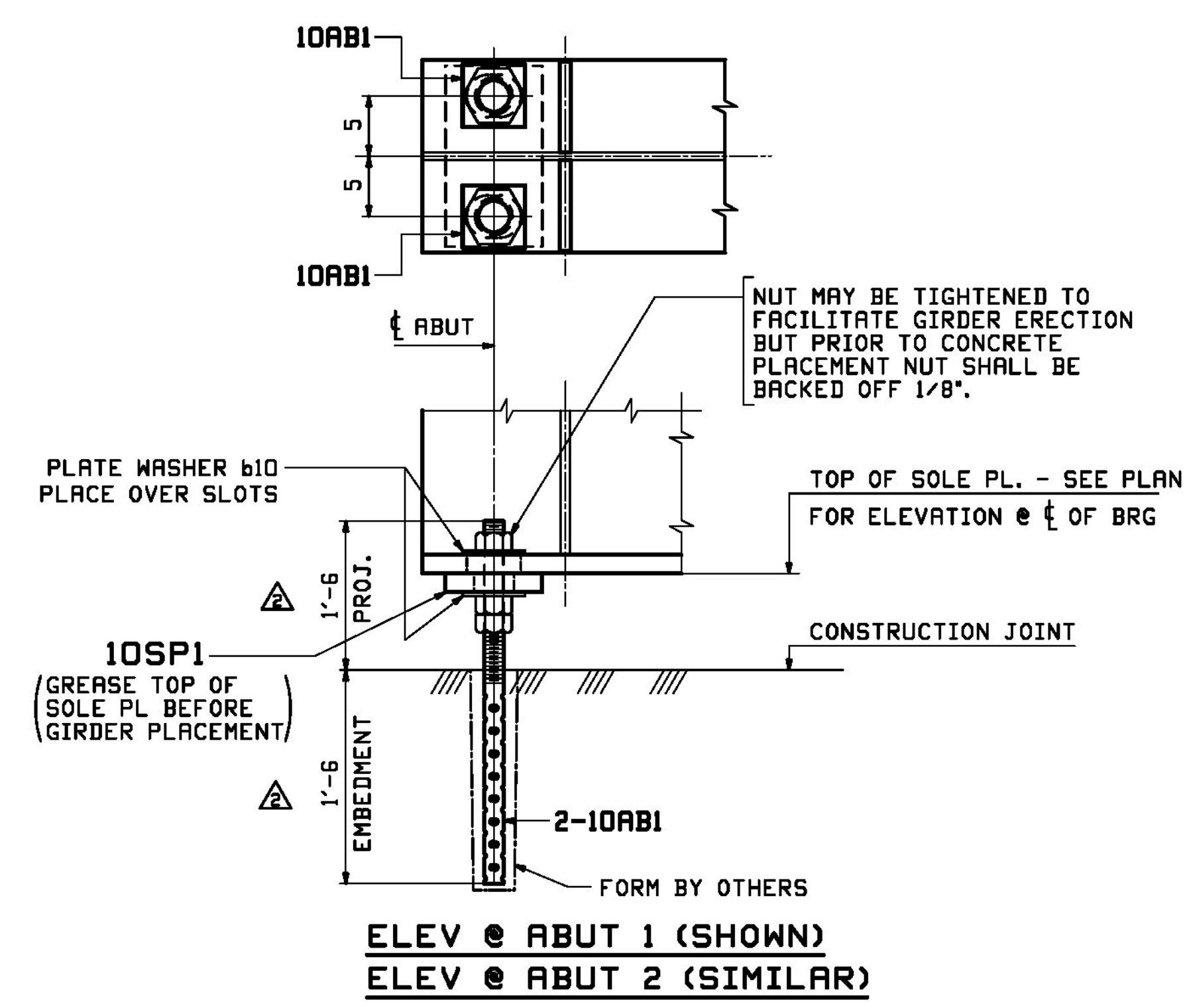
FRAMING PLAN

FIELD BOLT LIST		R325 Type 1 (MECH GALV) BOLTS											
LINE	NO. REQ'D.	BOLT DIA.	BOLT LEN.	# OF CONN.	GRIP	THICKNESS OF PCS. CONNECTED				WASHER CODE	PIECES CONNECTED AND REMARKS		
1													FIELD SPlice 1 & 2:
2	384	7/8	5 1/2	48	8	3 5/8	7	1 1/2	1				L1 Top Flg Splice
3	448	7/8	3 1/2	56	8	1 6/8	5	5/8	5/8				L1 Web Splice
4	448	7/8	5 1/2	56	8	4 1/4	1	2	1 1/4				L1 Btm Flg Splice
5													
6													INT. DIAPHRAGMS (IID1):
7	576	7/8	2 1/2	12	48	1	1/2	1/2					L1 DIAPH. ~ CONN. PL
8													

WASHER CODES
 L1: 1 Flat, 1 Load Ind.
 L1W: 1 Flat, 1 Load Ind. @ head, hard ws. @ nut - D111 PREFERRED (SEE GNI FOR WASHER CONFIGURATIONS)

FIELD BOLT SUMMARY		2% + 2 ADDED, MIN. 6 EXTRA				
LINE	NO. OF BOLTS	BOLT DIA.	TYPE	BOLT LEN.	ACTUAL COUNT	REMARKS
1	590	7/8	R325 Type 1	2 1/2	576	(MECH GALV) RCT
2	459	7/8		3 1/2	448	(MECH GALV) RCT
3	394	7/8		5 1/2	384	(MECH GALV) RCT
4	459	7/8	R325 Type 1	5 1/2	448	(MECH GALV) RCT
5						
6	1902	Hard Flat Washers	for 7/8" BOLT		(ACTUAL 1856)	(MECH GALV) RCT
7	1902	Load Ind. Washers	for 7/8" BOLT		(ACTUAL 1856)	(MECH GALV) RCT
8						
9						

NOTE TO PURCHASER:
 AT LEAST 2 FULL SETS OF BOLTS WILL BE REQUIRED FOR MULTIPLE SETUPS.



SHOP TO PREFIX MATCH-MARKS WITH LINE MARK AND SPLICE

EXAMPLE: LINE 1 A B PART IDEN.

NOTE *
 ELEVATIONS ARE TAKEN AT TOP OF SOLE PLATE @ T OF ABUT

NOTE **
 ELEVATIONS ARE TAKEN AT TOP OF TOP FLANGE @ T OF PIER

NOTE:
 SEE DESIGN SHEET 27 OF 67 FOR COORDINATES OF WP2, WP4, WP6, WP10, WP11, AND WP14.

REV.	DATE	REMARKS	DWN	CHK	APVL	SHOP
1	1/28/2018	APPROVAL COMMENTS	LWD	WJL		
0	12/1	APPROVAL COMMENTS CORRECT BOLT LENGTH	LWD	WJL		

MATERIAL: SURFACE PREP. & PRINT: HOLES: SHOP BOLTS:

DESCRIPTION: FRAMING & ANCHOR BOLT PLAN AND FIELD BOLTS

CASCO BAY STEEL STRUCTURES, INC.
 1 WALLACE AVE. SOUTH PORTLAND, ME 04106
 PHONE (207) 780-6722 FAX. (207) 780-6726

STRUCTURE: TH-2 (RIVER ROAD) BRIDGE #10 COUNTY OF ADDISON
 DRAWN: LWD DATE: 10/19
 CHKD: WJL DATE: 10/27

LOCATION: TOWN OF NEW HAVEN, VT
 JOB NO. 645 DWG NO. E1

PROJ NO. BRF 0183 (1)
 CUSTOMER: CCS CONSTRUCTORS, INC.