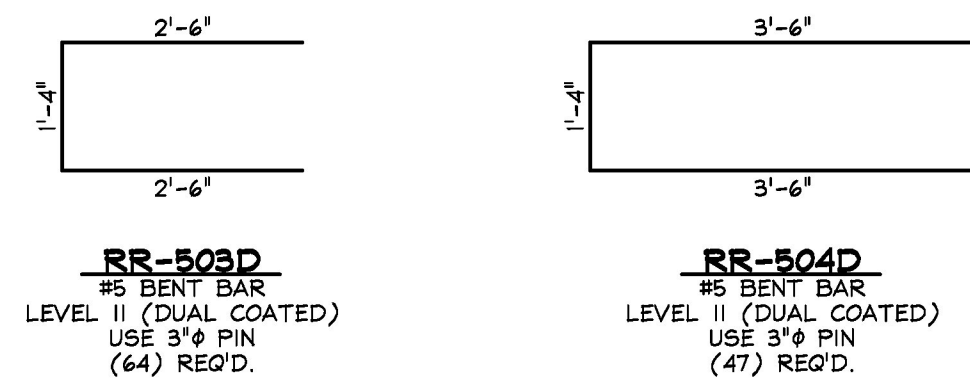
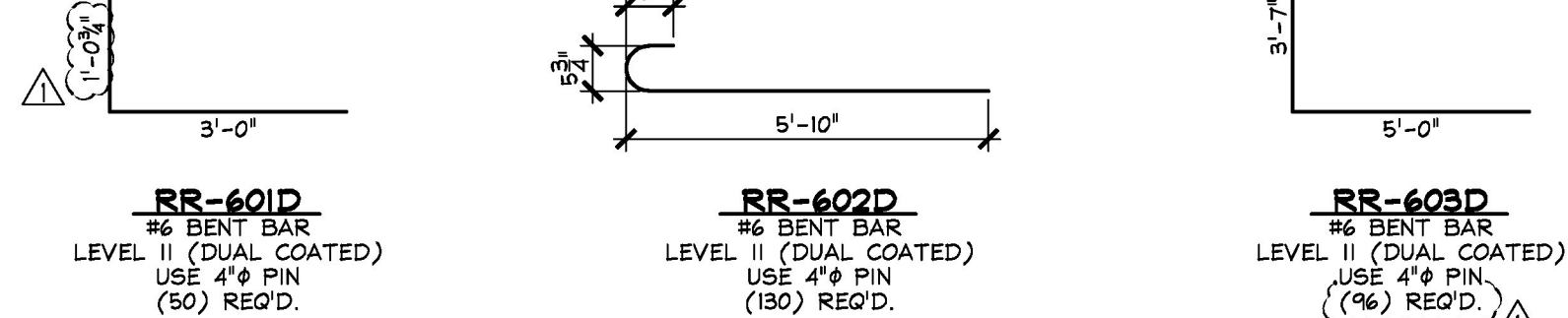
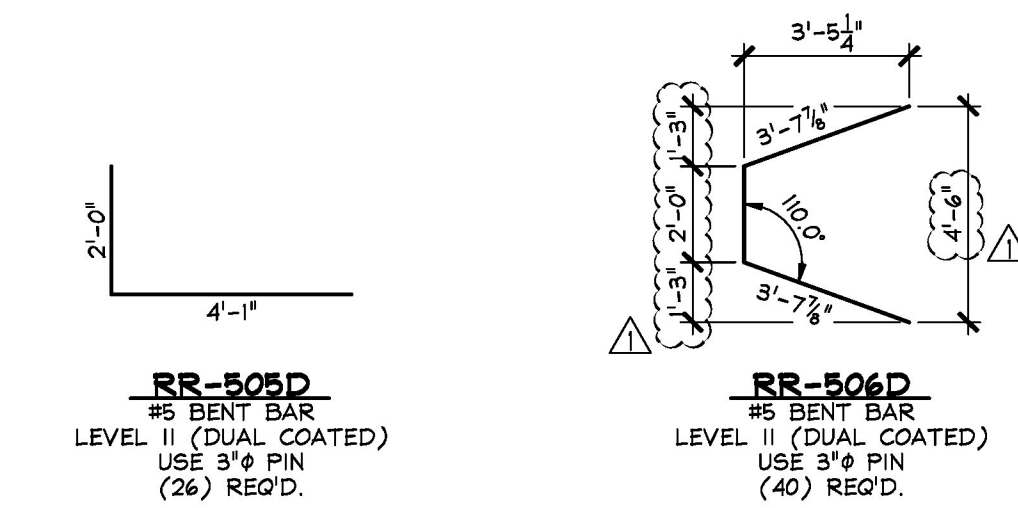


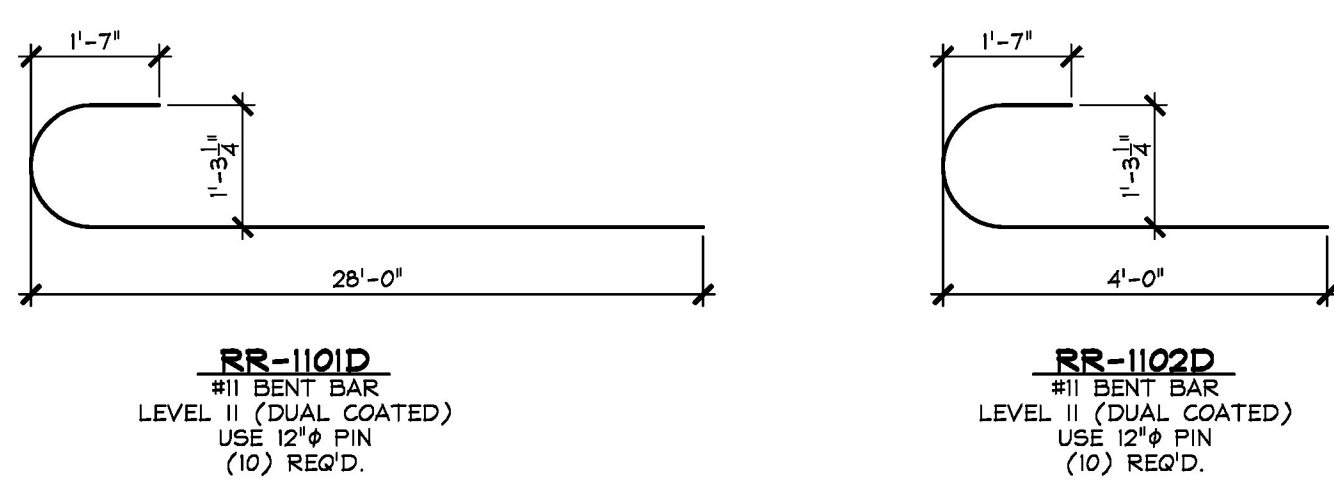
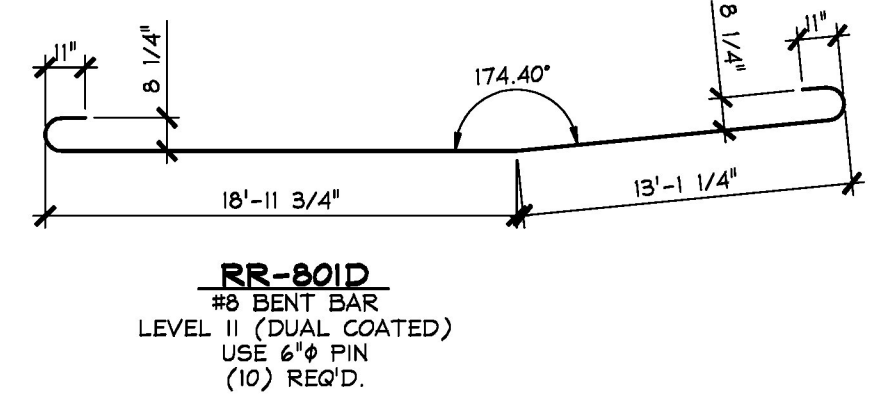
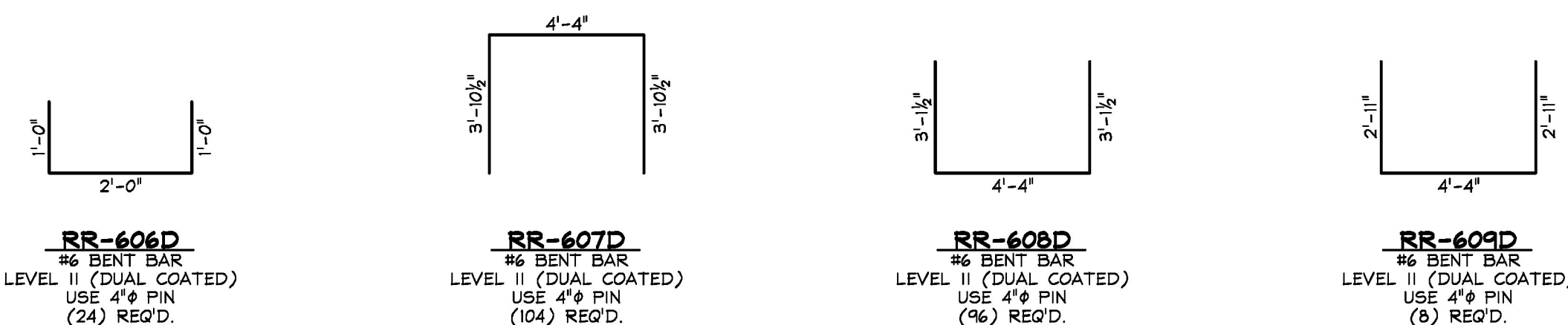
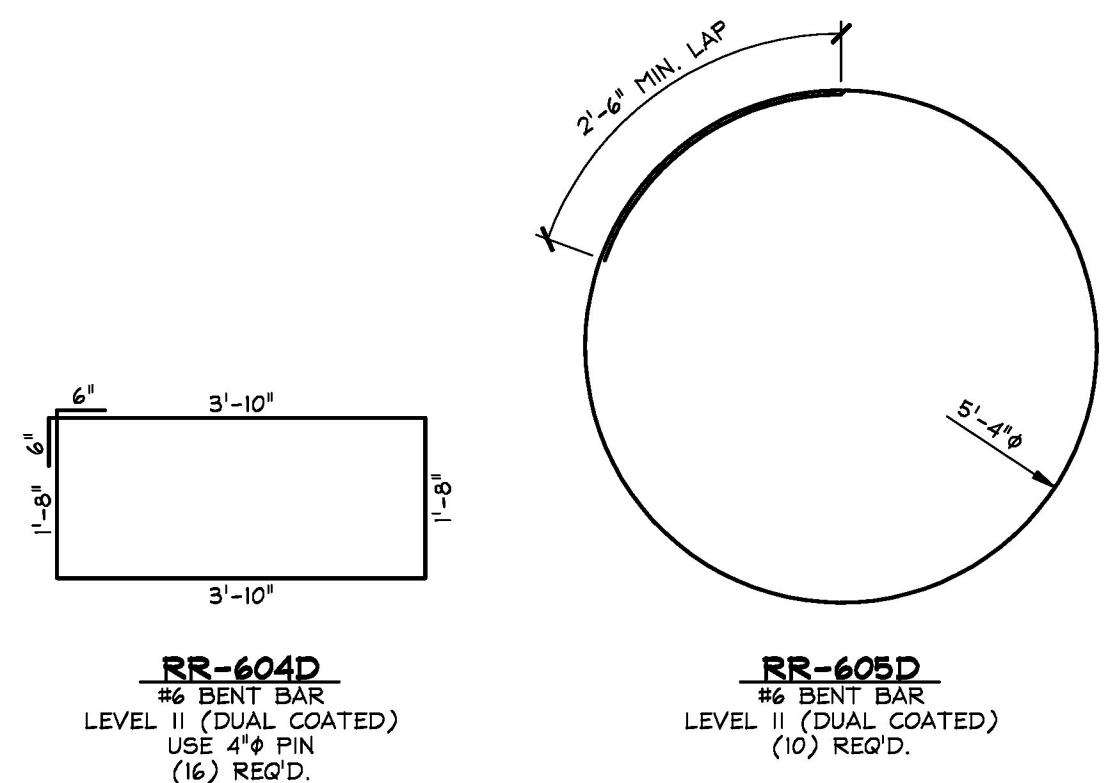
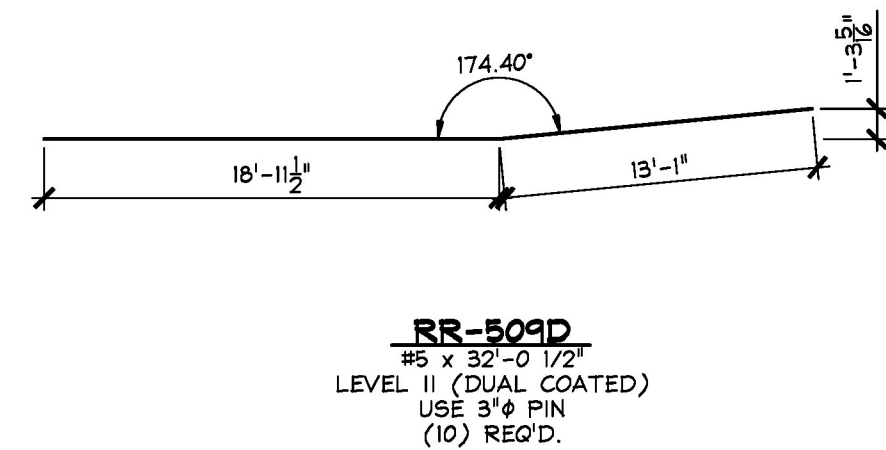
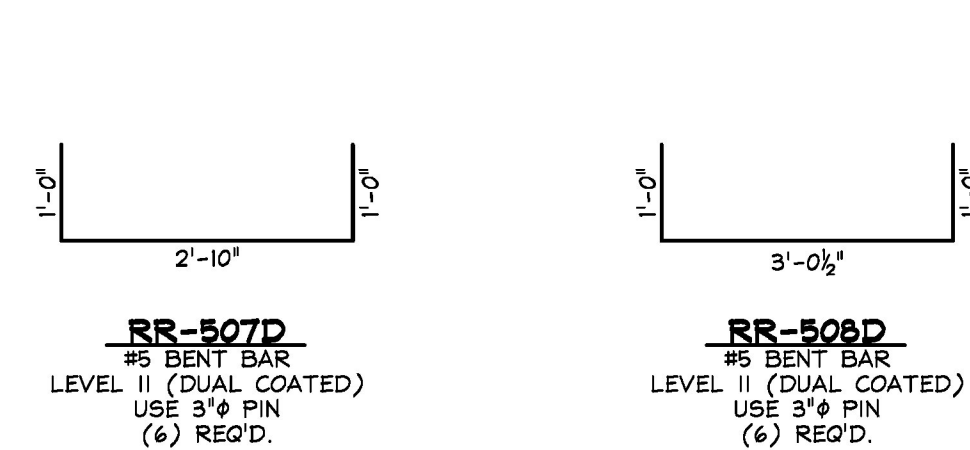
**PRECAST APPROACH SLABS**



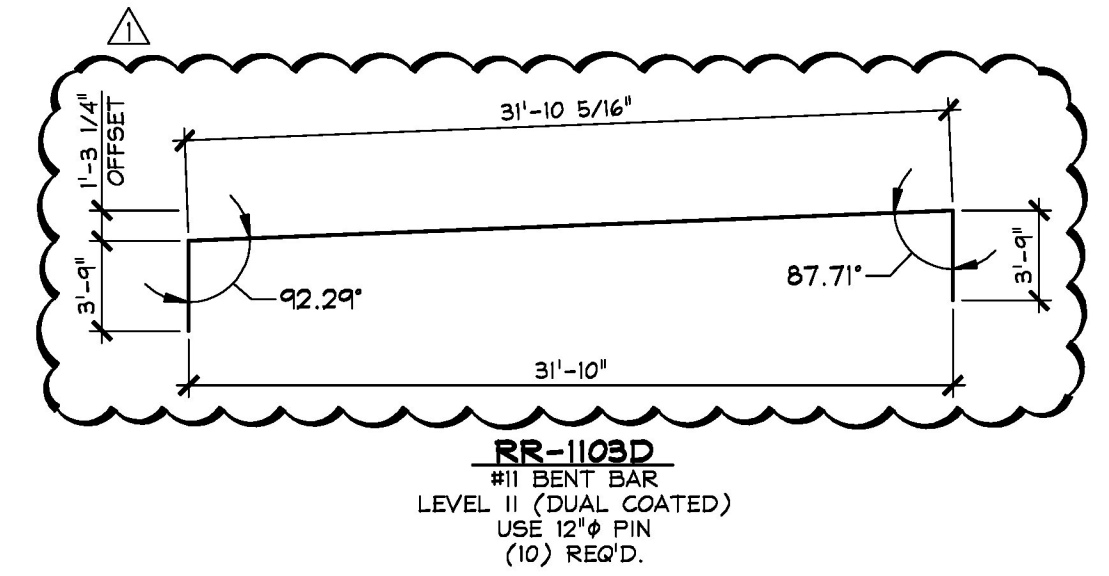
**PRECAST WING WALLS**



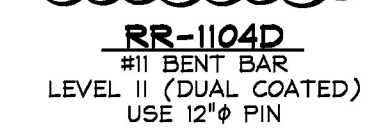
**PRECAST ABUTMENTS**



**PRECAST PIER CAP**



THIS DETAILS HAS BEEN OMITTED



MISCELLANEOUS MATERIALS				
ITEM	MARK	QTY.	DESCRIPTION	REMARKS
1				
2				
3		56	#5 x 19'-6" (LEVEL II, DUAL COATED)	
4				
5				
6		32	4" I.D. x 1'-3" PVC SLEEVE	
7		32	8T x 6 3/4" SWIFT LIFT LIFTER	GALVANIZED
8				
9				
10				
11		8	#5 x 2'-0" (LEVEL II, DUAL COATED)	
12		31	#5 x 5'-3" (LEVEL II, DUAL COATED)	
13		28	#5 x 9'-8" (LEVEL II, DUAL COATED)	
14		14	#5 x 10'-9" (LEVEL II, DUAL COATED)	
15		11	#5 x 9'-3" (LEVEL II, DUAL COATED)	
16		22	#5 x 10'-11" (LEVEL II, DUAL COATED)	
17				
18		66	#6 x 5'-2" (LEVEL II, DUAL COATED)	
19		24	#6 x 9'-2" (LEVEL II, DUAL COATED)	
20				
21	MK-RR1	42	N#B SPLICE SLEEVE 5U-X(PG)	EPOXY COATED
22	MK-RR2	90	N#B SPLICE SLEEVE 6U-X(PG)	EPOXY COATED
23		8	8T x 13 3/8" SWIFT LIFT LIFTER	GALVANIZED
24		16	8T x 6 3/4" SWIFT LIFT LIFTER	GALVANIZED
25				
26		56	#5 x 3'-6" (LEVEL II, DUAL COATED)	
27				
28		44	#6 x 3'-9" (LEVEL II, DUAL COATED)	
29		28	#6 x 32'-0" (LEVEL II, DUAL COATED)	
30				
31		64.6 LF	P.V.C. WATERSTOP	SUPPLIED BY OTHERS
32		2	2'-6" x 7'-3" CORRUGATED STEEL SLEEVE	
33		2	2'-6" x 6'-11 11/16" CORRUGATED STEEL SLEEVE	
34		2	2'-6" x 6'-8 3/8" CORRUGATED STEEL SLEEVE	
35		2	2'-6" x 6'-5 1/8" CORRUGATED STEEL SLEEVE	
36		2	2'-6" x 6'-1 13/16" CORRUGATED STEEL SLEEVE	
37		8	4" x 1'-6" CORRUGATED PLASTIC SLEEVE	
38		8	SET OF (4) 0.60" STRAND LIFTING LOOPS	
39				
40				
41		13	6" x 4'-2" CORRUGATED PLASTIC SLEEVE	
42		4	SPLICE PLATE GIRDER SEGMENT	SUPPLIED BY OTHERS
43		4	SET OF (4) 0.60" STRAND LIFTING LOOPS	
44				
45	MK-RR3	10	D-250 BAR-LOCK L-SERIES COUPLER, III	EPOXY COATED
46				
47		8	#5 x 6'-0" (LEVEL II, DUAL COATED)	
48				
49		8	#6 x 32'-0" (LEVEL II, DUAL COATED)	
50				
51	MK-RR1	3	N#B SPLICE SLEEVE 5U-X(PG)	EPOXY COATED
52	MK-RR2	3	N#B SPLICE SLEEVE 6U-X(PG)	EPOXY COATED
53	MK-RR3	3	D-250 BAR-LOCK L-SERIES COUPLER, III	EPOXY COATED
54				
55		3	#5 x 4'-0" (LEVEL II, DUAL COATED)	
56		3	#6 x 4'-0" (LEVEL II, DUAL COATED)	
57		3	#8 x 4'-0" (LEVEL II, DUAL COATED)	
58		3	#9 x 4'-0" (LEVEL II, DUAL COATED)	
59		3	#11 x 4'-0" (LEVEL II, DUAL COATED)	
60				

12-2-15 REVISED PER GENERAL CONTRACTOR'S ENGINEER REVIEW

APPROVAL STAMP:	<b>J.P. CARRARA &amp; SONS INC.</b> Precast & Prestress Manufacturer 284 CASE STR., MIDDLEBURY, VERMONT 05753 Phone: (802)388-6361 Fax: (802)388-9010	CCS CONSTRUCTORS, INC. CONTRACTOR MORRISVILLE, VERMONT
	STATE OF VERMONT AGENCY OF TRANSPORTATION COUNTY OF ADDISON	DATE: OCT. 15, 2015 SCALE: NOTED
	TOWN OF NEW HAVEN T.H. 2 (RIVER ROAD) (CLASS 2 - MAJOR COLLECTOR) BRIDGE NO.: 10 PROJECT NO.: BRP 0183 (1)	CHKD: A.S. DFTM: B.L. JOB NO: 23475-015
	<b>MATERIALS LIST</b>	DWG. NO: M1