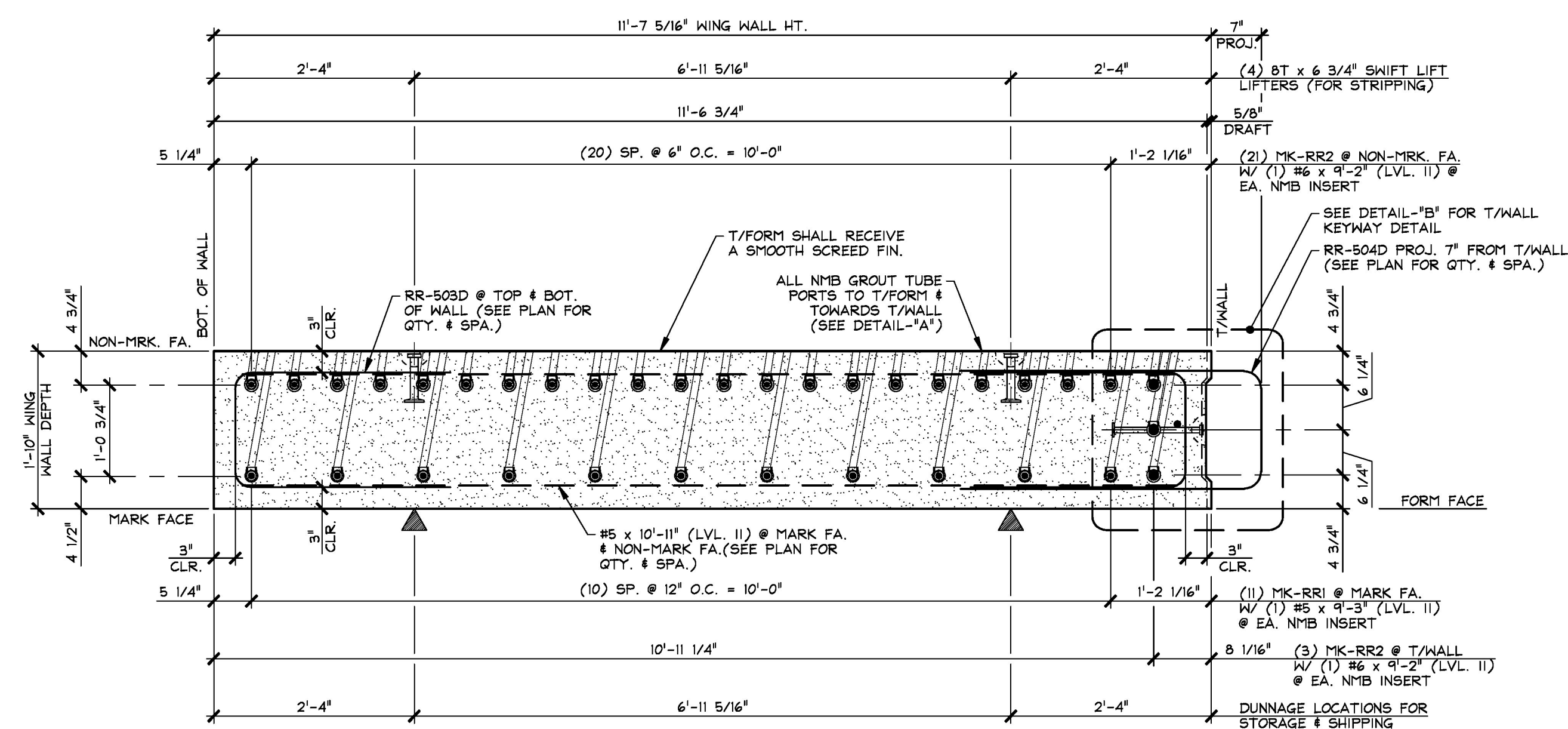
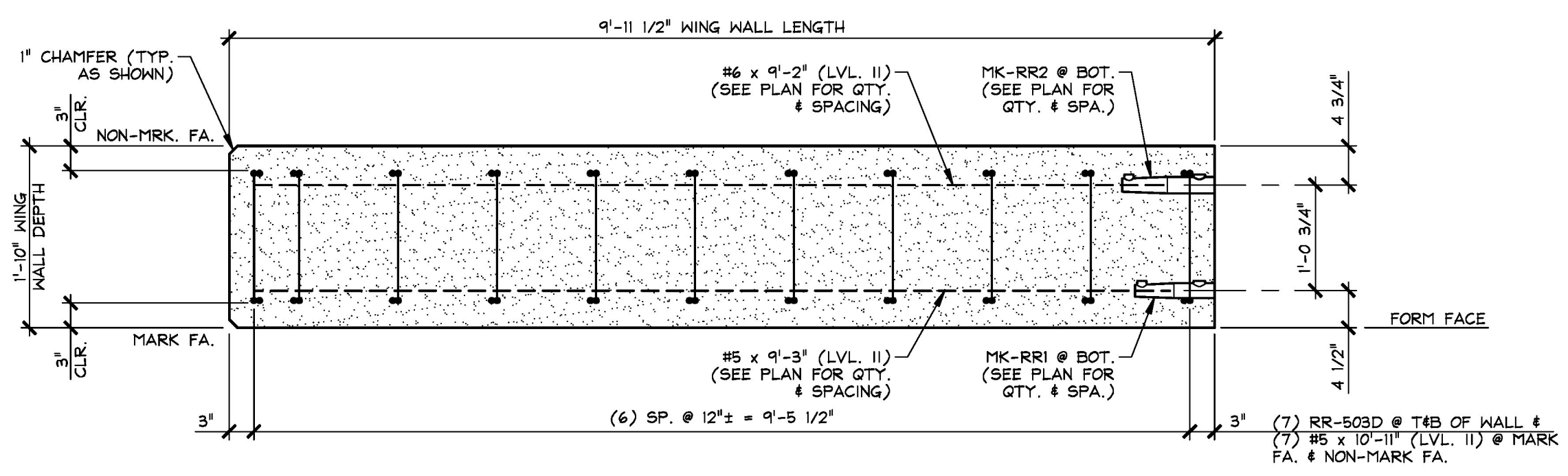


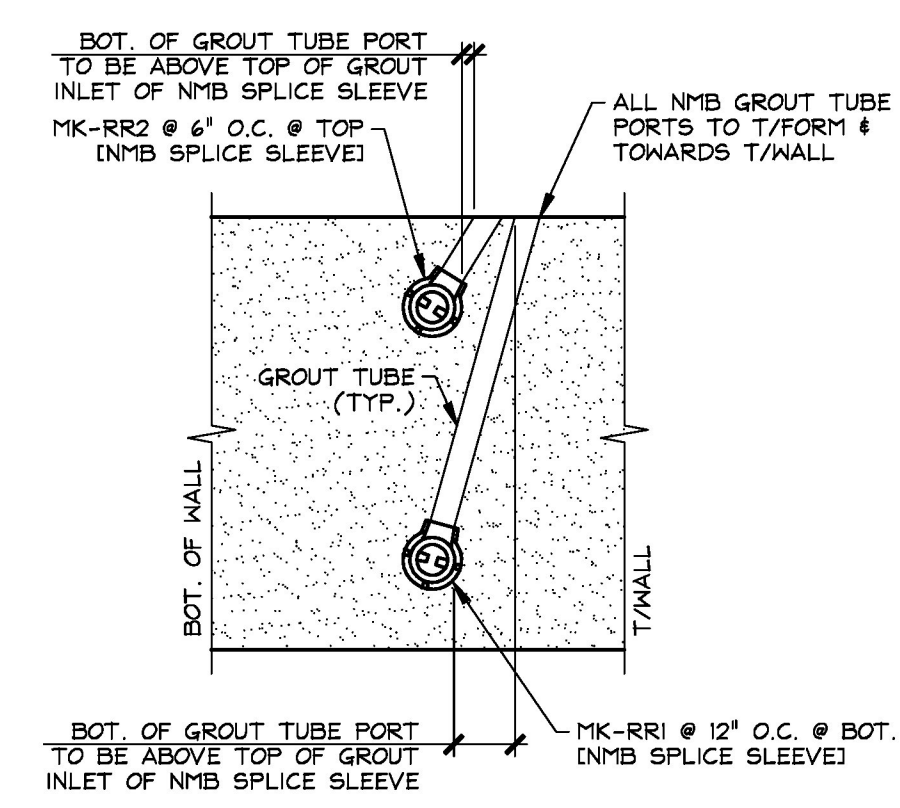
1 PLAN VIEW IN FORM
 1/2" = 1'-0"



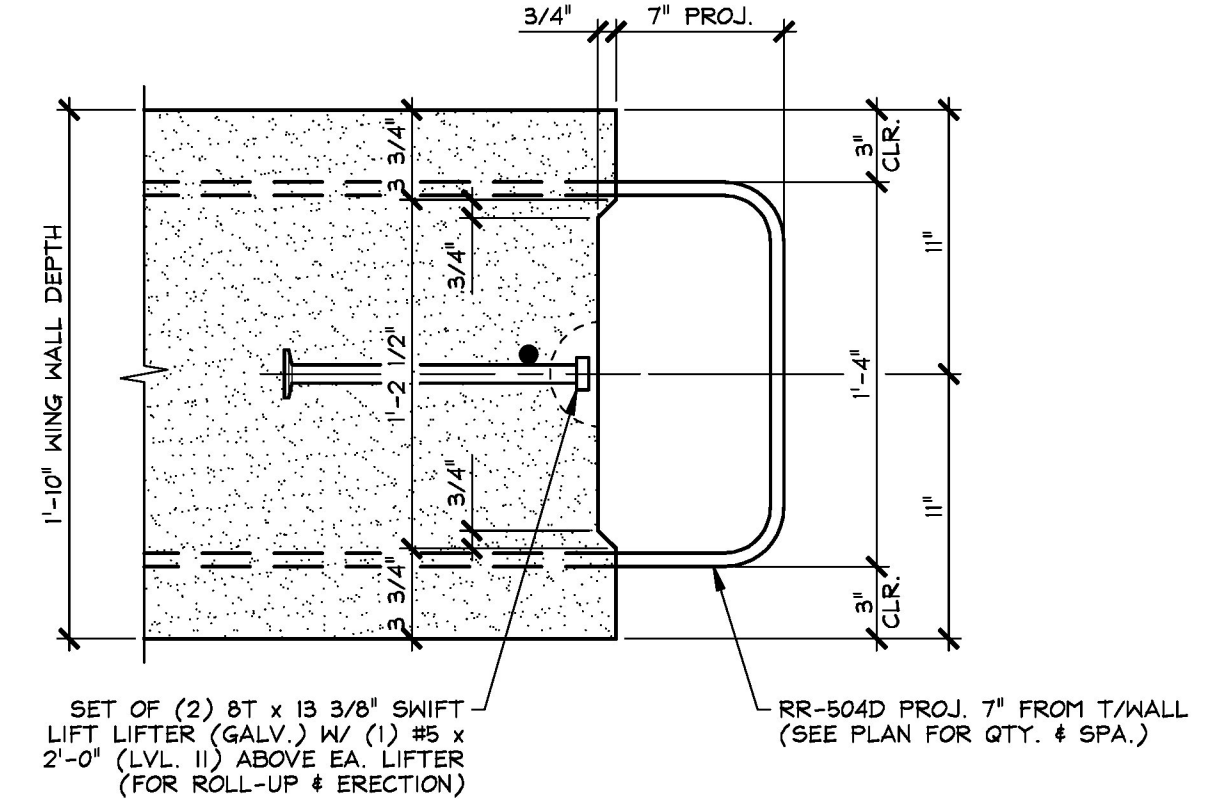
2 SIDE ELEVATION IN FORM
 3/4" = 1'-0"



3 BOTTOM ELEVATION
 3/4" = 1'-0"



DETAIL - "A"
 N.T.S.



DETAIL - "B"
 1 1/2" = 1'-0"

SHOP NOTE:
 f'c = 5,000 PSI
 f'ci = 3,500 PSI
 MIX #445M5CC

MARK: RR-WW4 QTY.: 1 WT.: 15.86 T VOL.: 7.83 cy			
MATERIAL LIST / WING WALL			
ITEM	MARK	DESCRIPTION	QTY.
1	RR-503D	#5 BENT BAR (LEVEL II, DUAL COATED)	22
2	RR-504D	#5 BENT BAR (LEVEL II, DUAL COATED)	17
3		#5 x 9'-3" (LEVEL II, DUAL COATED)	11
4		#5 x 10'-11" (LEVEL II, DUAL COATED)	22
5		#5 x 2'-0" (LEVEL II, DUAL COATED)	2
6			
7		#6 x 9'-2" (LEVEL II, DUAL COATED)	24
8			
9			
10			
11	MK-RR1	NMB SPLICE SLEEVE 5U-X(PG) (EPOXY COATED)	11
12	MK-RR2	NMB SPLICE SLEEVE 6U-X(PG) (EPOXY COATED)	24
13		8T x 13 3/8" SWIFT LIFT LIFTER (GALV.)	2
14		8T x 6 3/4" SWIFT LIFT LIFTER (GALV.)	4
15			

APPROVAL STAMP:	J.P. CARRARA & SONS INC. Precast & Prestress Manufacturer 2844 OSE STR., MIDDLEBURY, VERMONT 05753 Phone: (802)388-6361 Fax: (802)388-9010	CCS CONSTRUCTORS, INC. CONTRACTOR MORRISVILLE, VERMONT
	STATE OF VERMONT AGENCY OF TRANSPORTATION COUNTY OF ADDISON	
	TOWN OF NEW HAVEN T.H. 2 (RIVER ROAD) (CLASS 2 - MAJOR COLLECTOR) BRIDGE NO.: 10 PROJECT NO.: BRP 0183 (1)	
	PRECAST WING WALL DETAILS	
	DATE: OCT. 15, 2015	
	SCALE: NOTED	
	CHKD: A.S. DFTM: B.L.	
	JOB NO: 23475-015	
	DWG. NO: WW4	