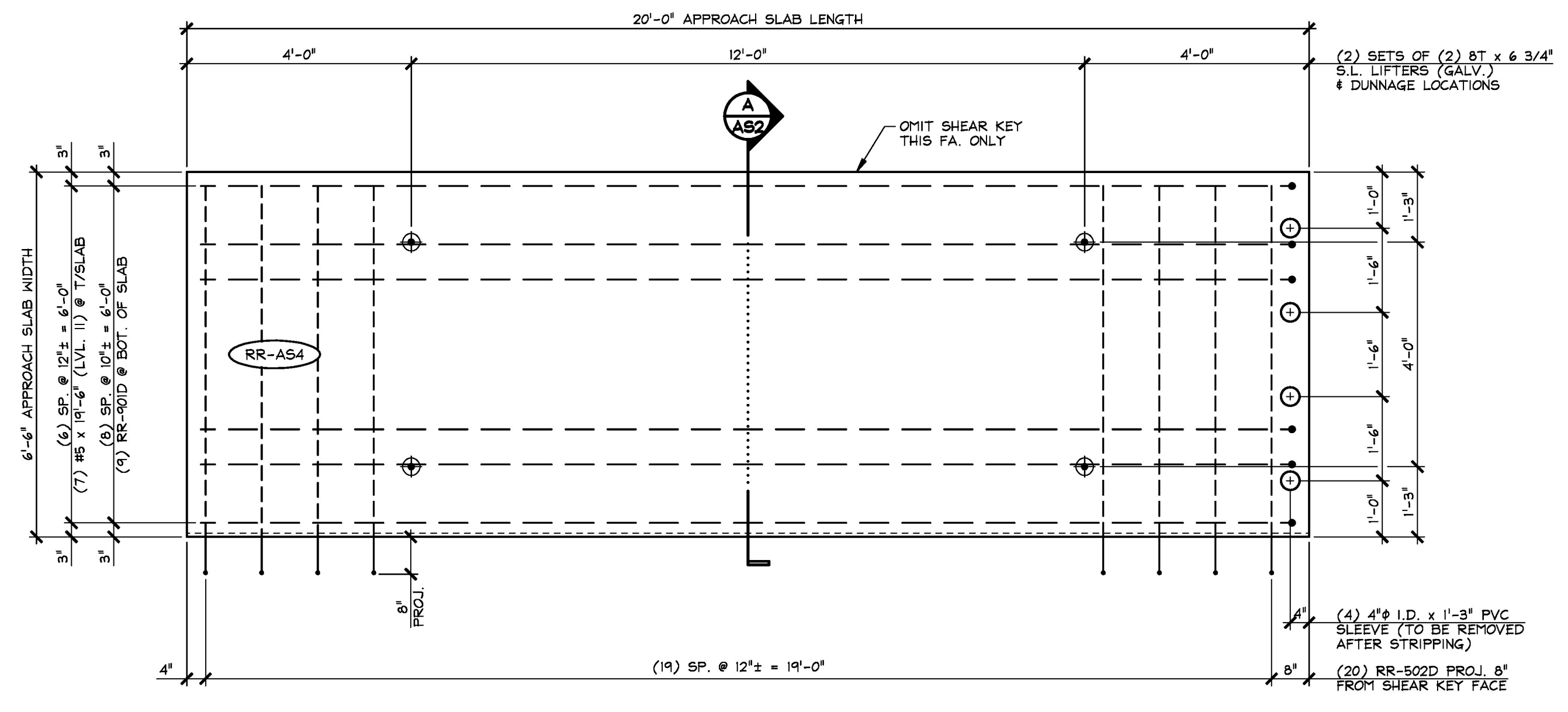
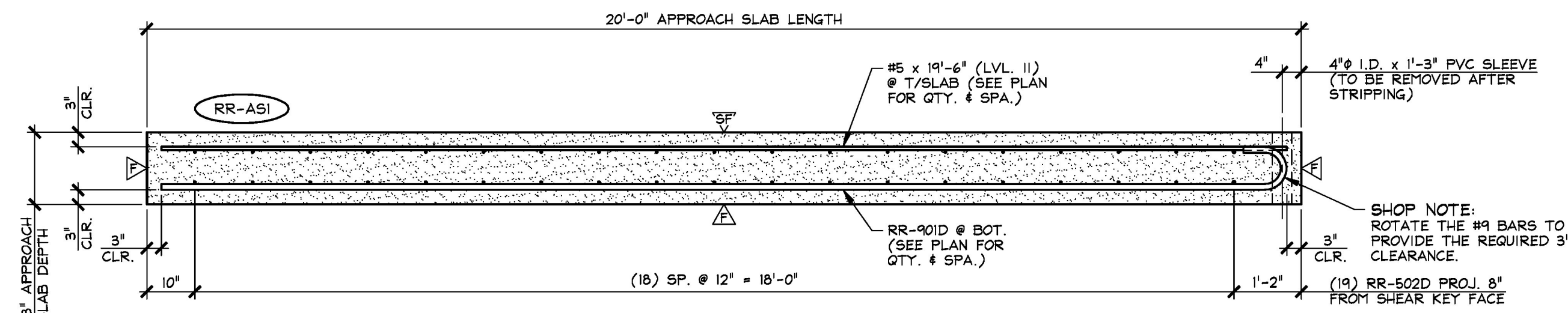


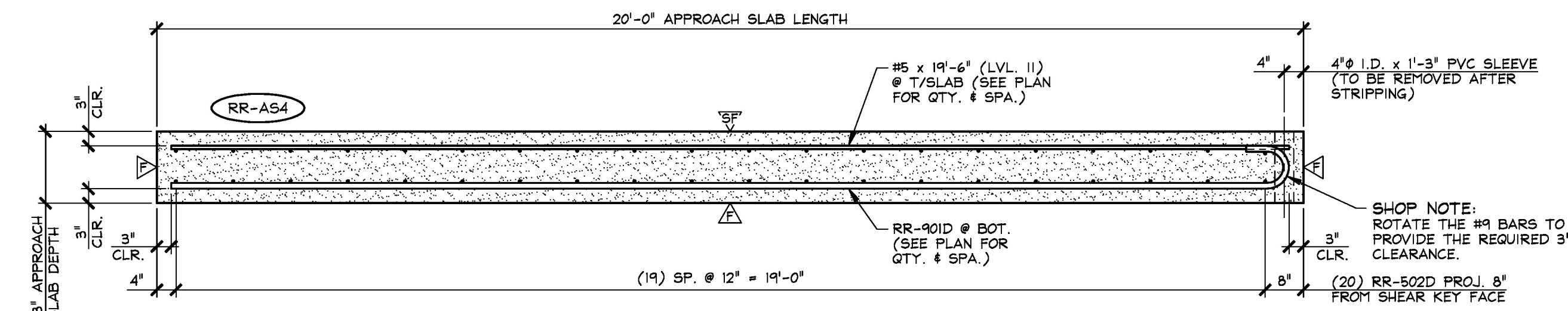
1 DIMENSIONAL PLAN VIEW IN FORM - "RR-AS1"
AS2 1/2" = 1'-0"



3 DIMENSIONAL PLAN VIEW IN FORM - "RR-AS4"
AS2 1/2" = 1'-0"



2 LONGITUDINAL SECTION - "RR-AS1"
AS2 1/2" = 1'-0"



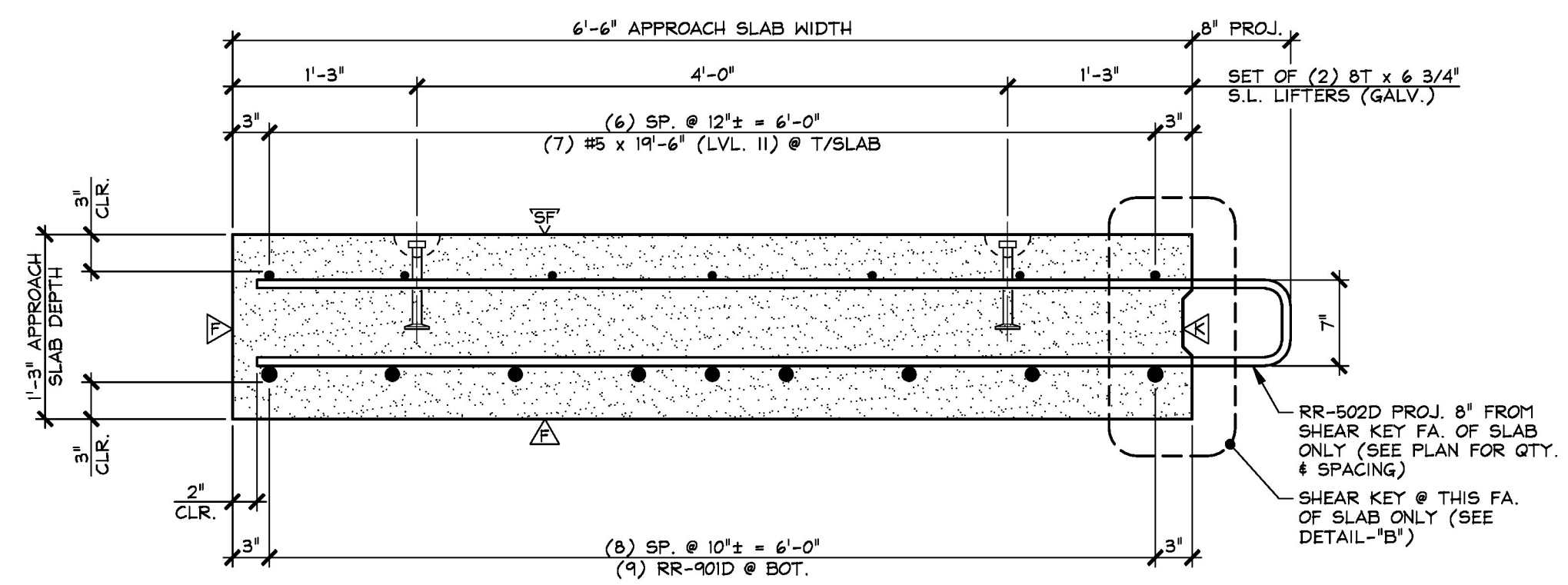
4 LONGITUDINAL SECTION - "RR-AS4"
AS2 1/2" = 1'-0"

△ DENOTES FORM FINISH
 ▽ DENOTES SMOOTH FLOAT FINISH
 ▴ DENOTES ROUGHENED FINISH

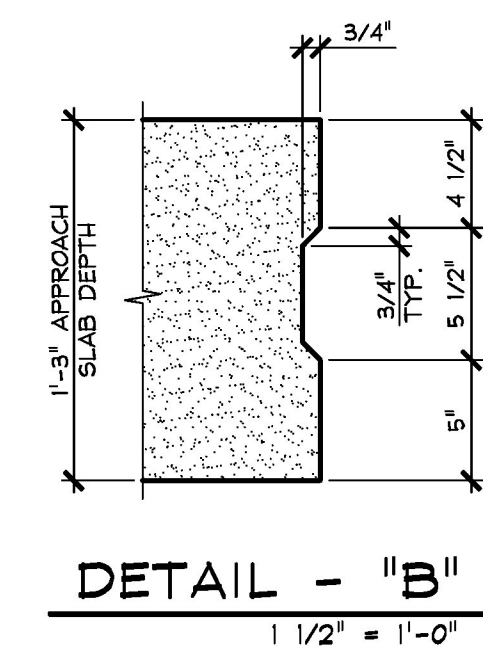
SHOP NOTE:
 f'c = 5,000 PSI
 f'st = 3,500 PSI
 MIX #445M5CC

MARK: RR-AS1	QTY.: 2	WT.: 12.15 T	VOL.: 6.00 cy
MARK: RR-AS4	QTY.: 2	WT.: 12.15 T	VOL.: 6.00 cy

MATERIAL LIST / APPROACH SLAB				
ITEM	MARK	DESCRIPTION	QTY./SLAB	
			AS1	AS4
1	RR-502D	#5 BENT BAR (LEVEL II, DUAL COATED)	19	20
2		#5 x 19'-6" (LVL. II), DUAL COATED	7	7
3				
4	RR-901D	#9 BENT BAR (LEVEL II, DUAL COATED)	9	9
5				
6				
7				
8		4" I.D. x 1'-3" PVC SLEEVE	4	4
9		8T x 6 3/4" SWIFT LIFT LIFTER (GALV.)	4	4
10				



A LONGITUDINAL SECTION
AS2 1" = 1'-0"



APPROVAL STAMP:

J.P. CARRARA & SONS INC.
 Precast & Prestress Manufacturer
 2464 OSE STR., MIDDLEBURY, VERMONT 05753 Phone: (802)388-6361 Fax: (802)388-9010

CCS CONSTRUCTORS, INC.
 CONTRACTOR
 MORRISVILLE, VERMONT

STATE OF VERMONT AGENCY OF TRANSPORTATION
 COUNTY OF ADDISON

TOWN OF NEW HAVEN
 T.H. 2 (RIVER ROAD) (CLASS 2 - MAJOR COLLECTOR)
 BRIDGE NO.: 10 PROJECT NO.: BRP 0183 (1)

DATE: OCT. 15, 2015
 SCALE: NOTED
 CHKD: A.S. DFTM: B.L.
 JOB NO: 23475-015

PRECAST APPROACH SLAB DETAILS DWG. NO: AS2