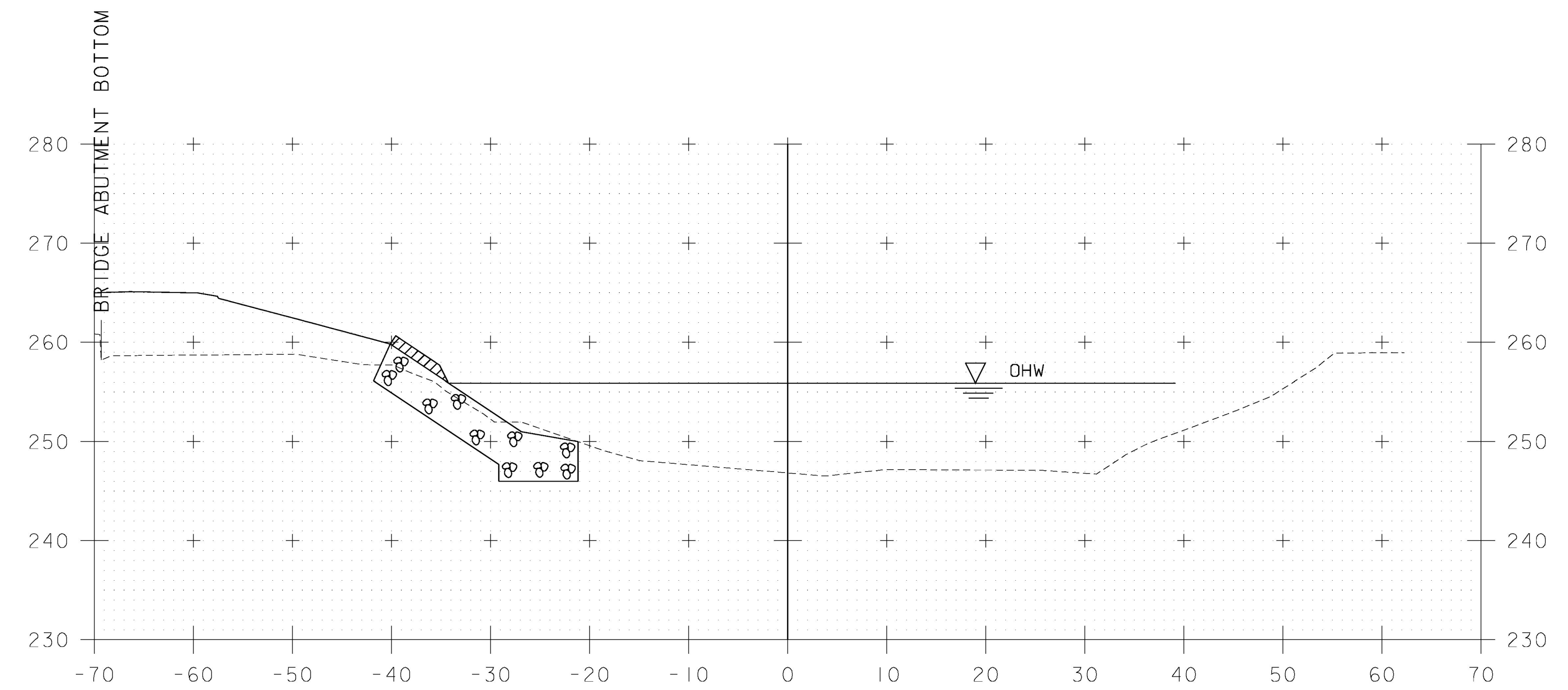
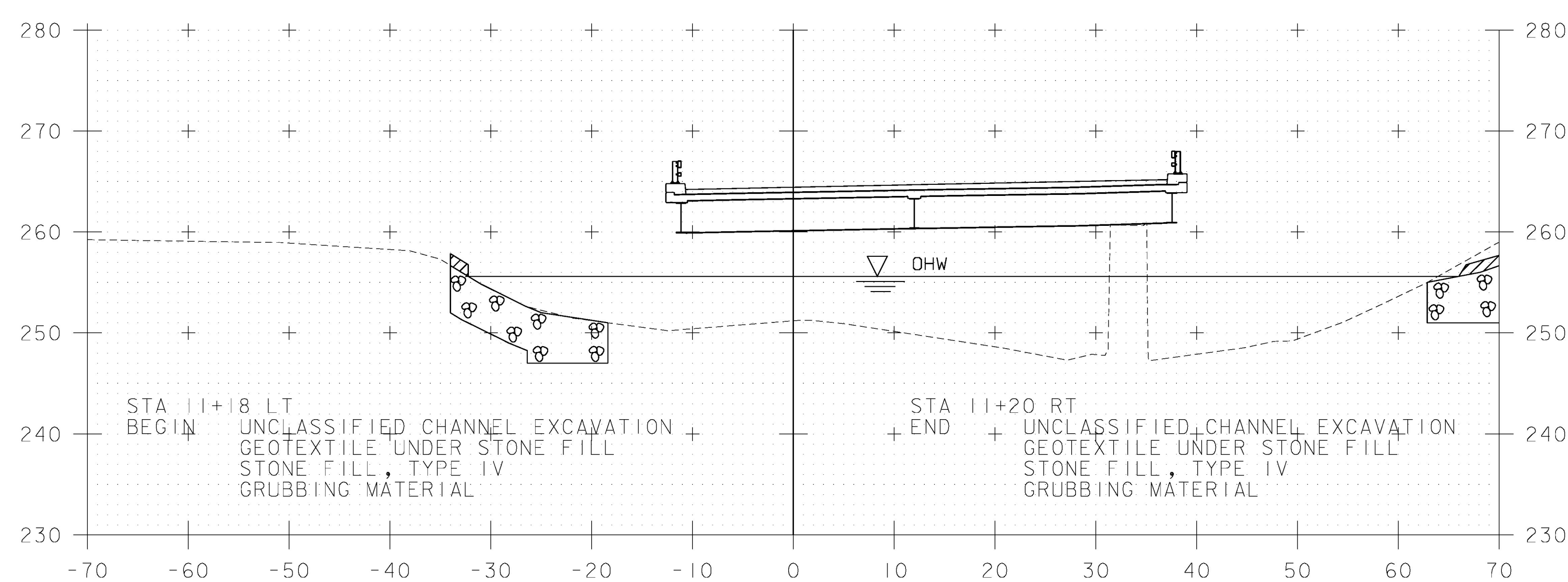


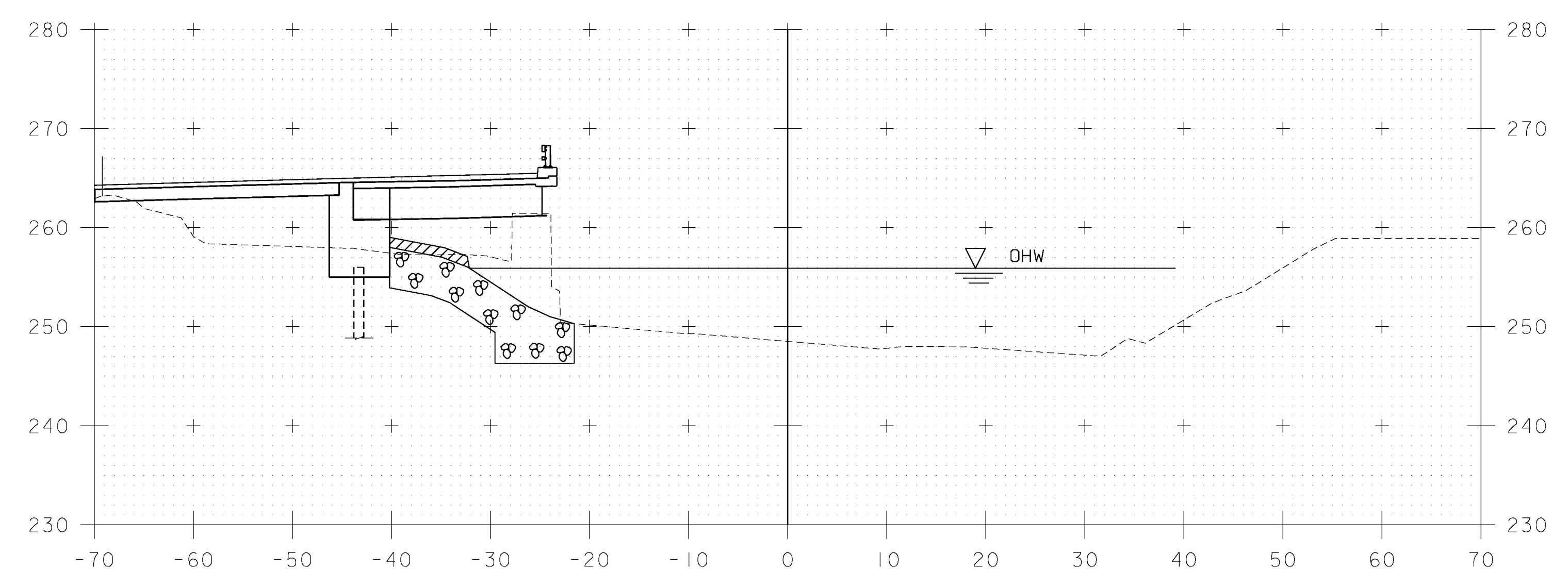
11+50



12+00



11+25



11+75

SCALE 1" = 10'-0"

**STA. 11+25 - STA. 12+00**

PROJECT NAME: NEW HAVEN  
 PROJECT NUMBER: BRF 0183 (I)

FILE NAME: z10j070xsl.dgn  
 PROJECT LEADER: G.K. DONINGTON  
 DESIGNED BY: P ARMANO  
 CHANNEL CROSS SECTIONS

PLOT DATE: 23-JUNE-2015  
 DRAWN BY: P ARMANO  
 CHECKED BY: R BENJAMIN  
 SHEET 56 OF 67