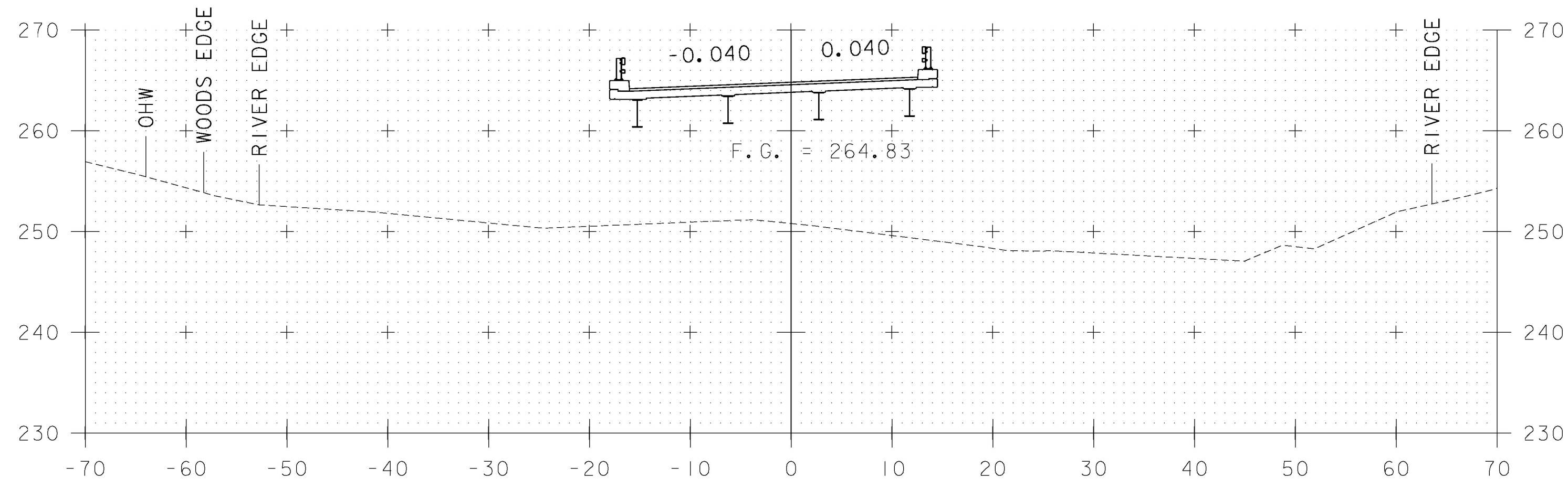
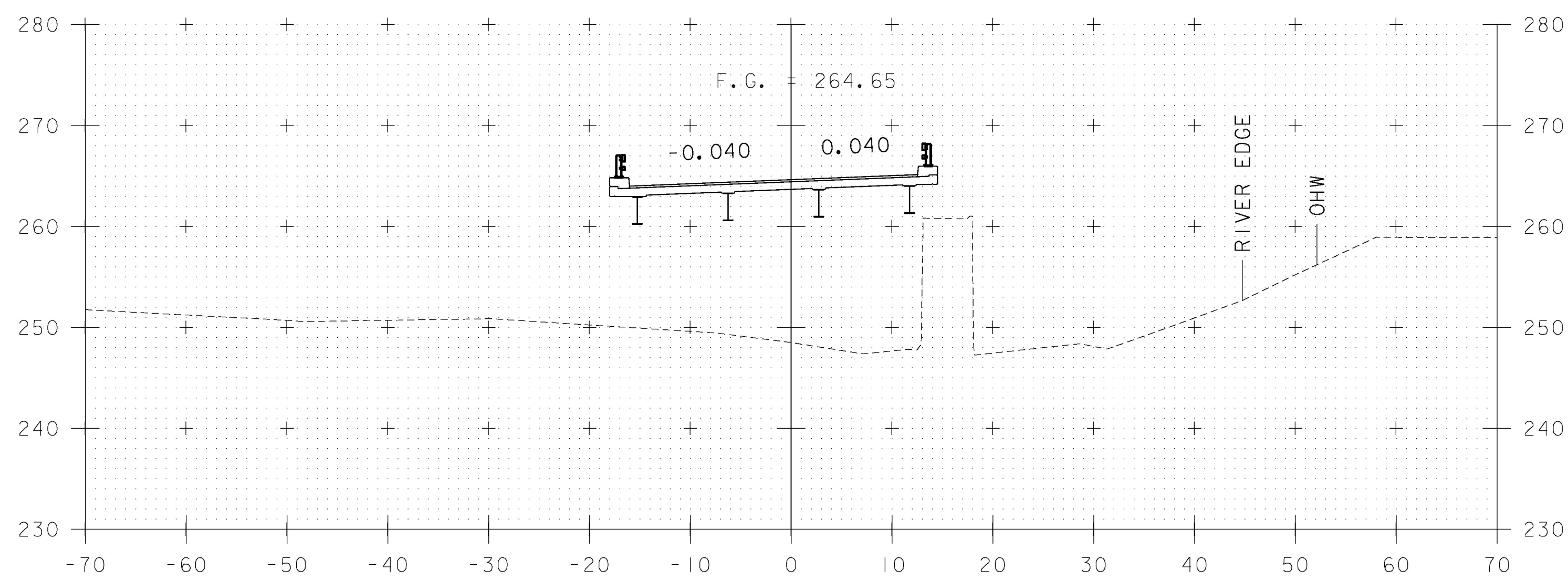


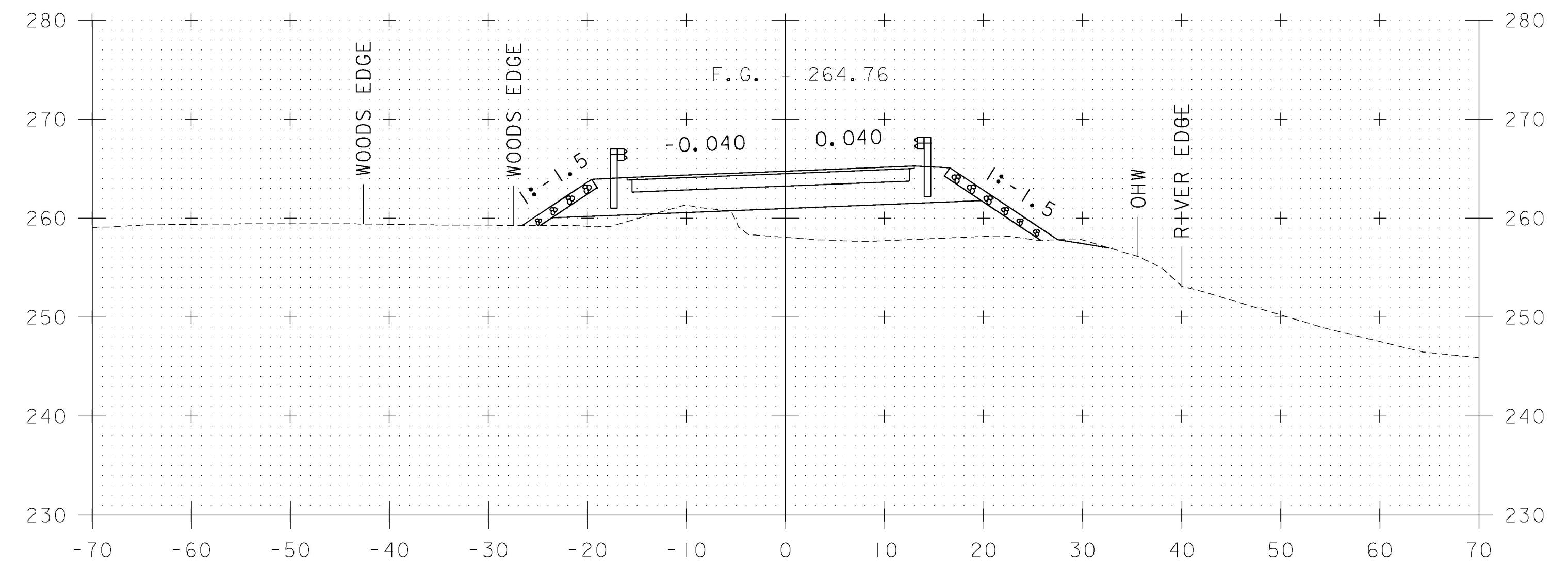
504+25



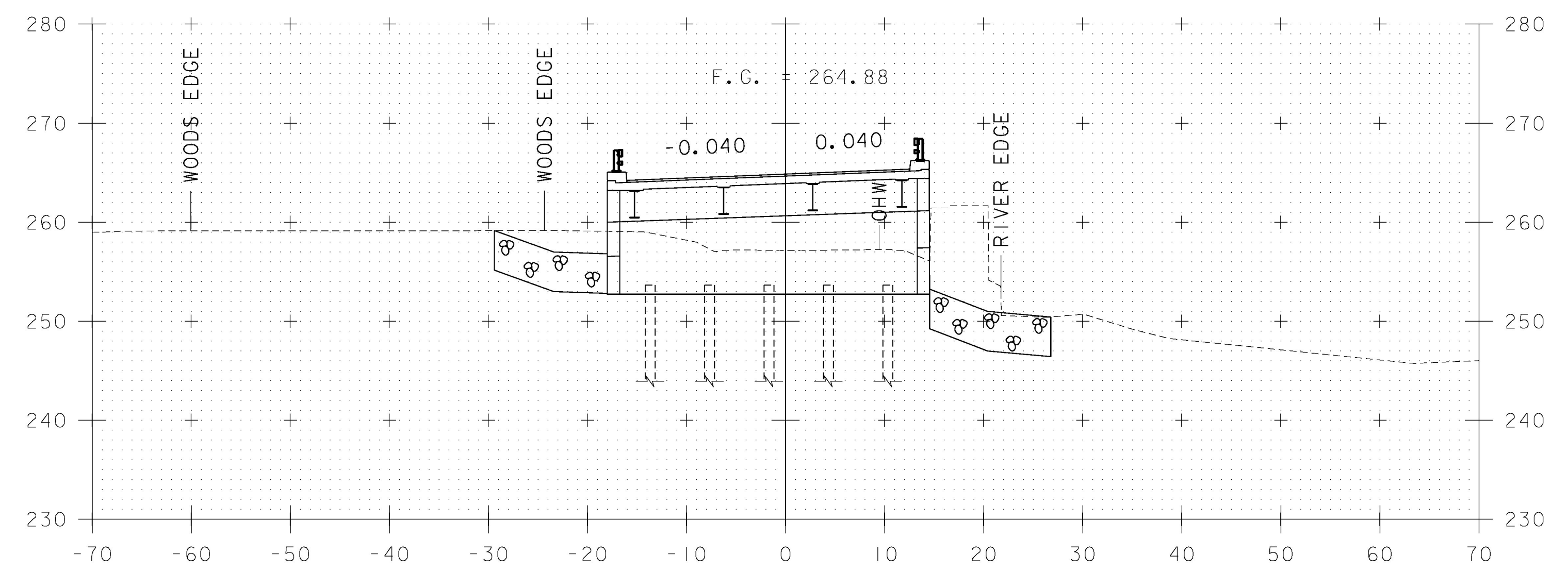
504+00



503+75



504+75



504+50 STA. 503+75 - STA. 504+75

STA 504+61.82
END BRIDGE

SCALE 1" = 10'-0"
10 0 10

PROJECT NAME:	NEW HAVEN	PLOT DATE:	23-JUNE-2015
PROJECT NUMBER:	BRF 0183 (I)	DRAWN BY:	P ARMANO
FILE NAME:	z10j070xsl.dgn	DESIGNED BY:	P ARMANO
PROJECT LEADER:	G.K. DONINGTON	CHECKED BY:	R BENJAMIN
MAINLINE CROSS SECTIONS			SHEET 47 OF 67