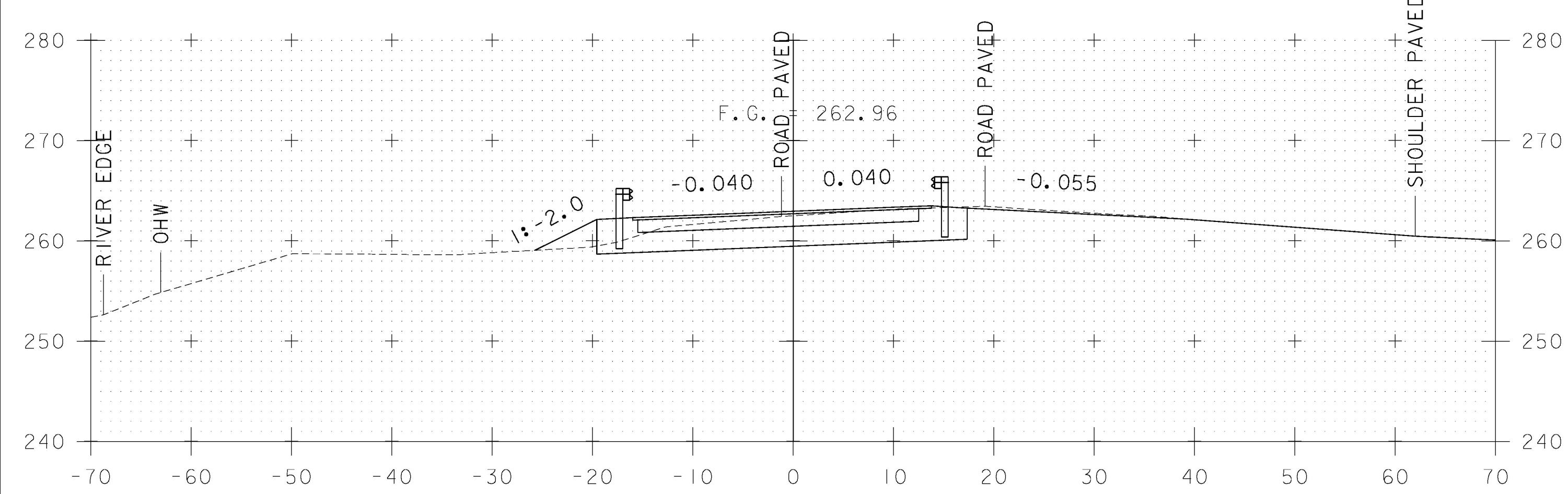
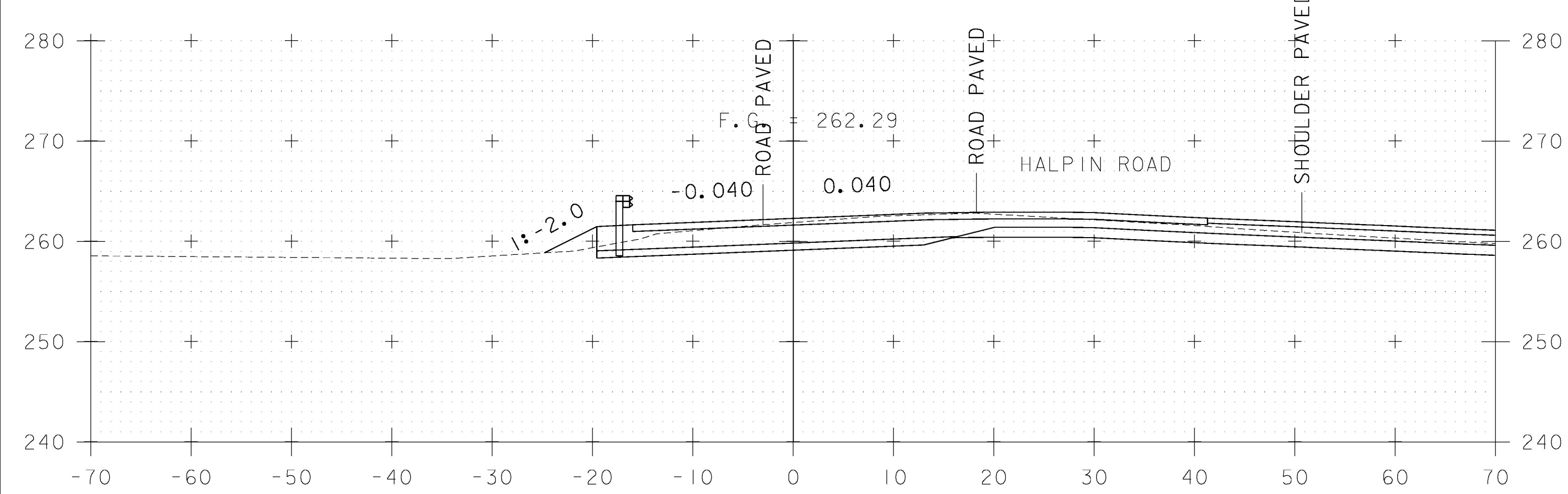


STA 502+94.80
BEGIN BRIDGE

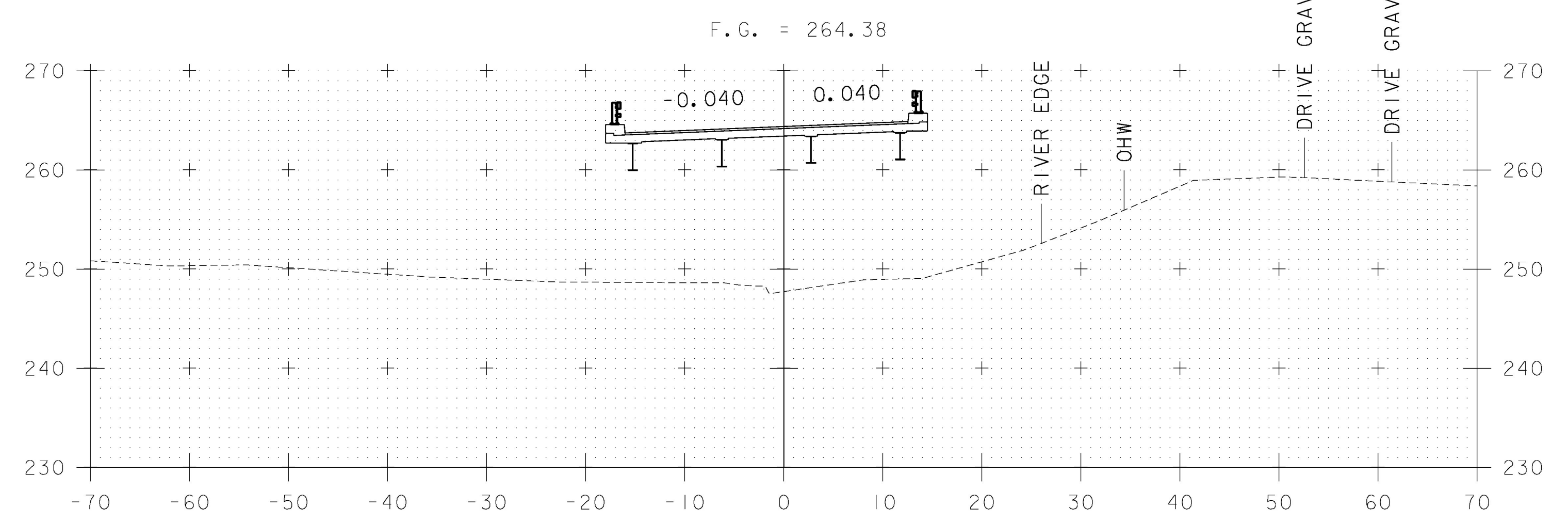
503+00



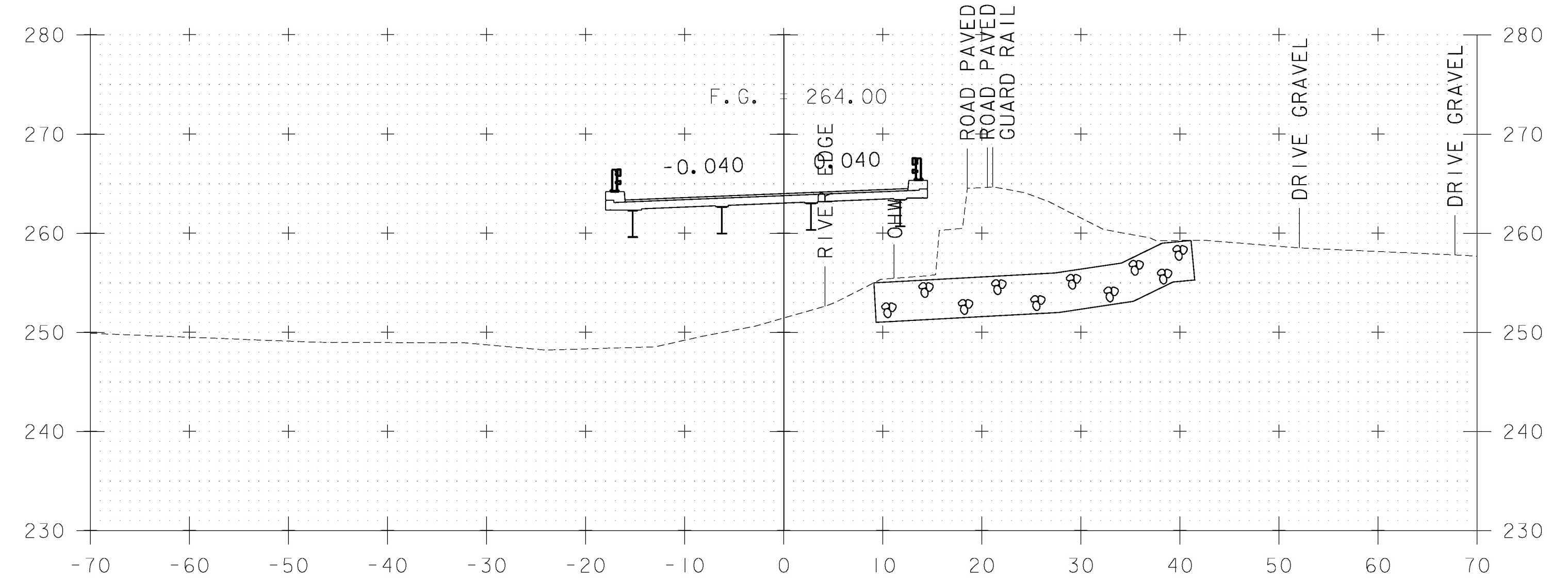
502+75



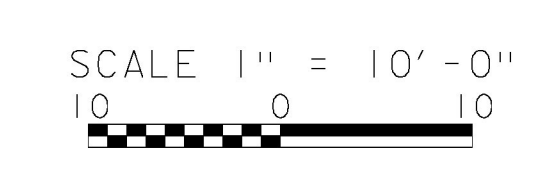
502+50



503+50



503+25 STA. 502+50 - STA. 503+50



PROJECT NAME:	NEW HAVEN	PLOT DATE:	23-JUNE-2015
PROJECT NUMBER:	BRF 0183 (I)	DRAWN BY:	P ARMANO
FILE NAME:	z10j070xsl.dgn	CHECKED BY:	R BENJAMIN
PROJECT LEADER:	G.K. DONINGTON	SHEET	46 OF 67
DESIGNED BY:	P ARMANO		
MAINLINE CROSS SECTIONS			