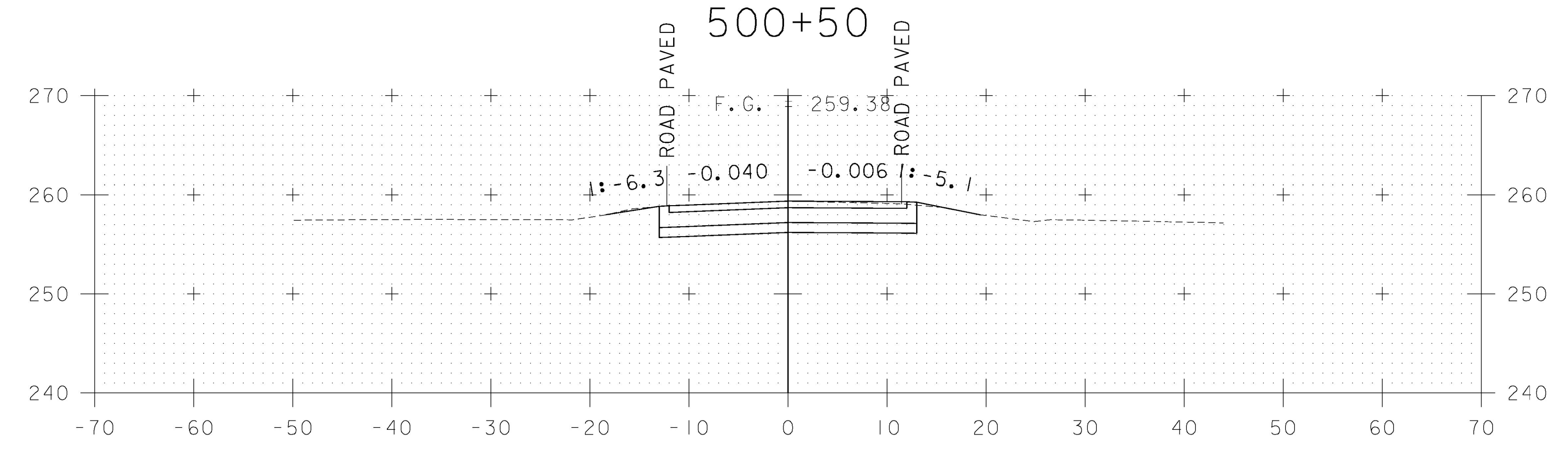
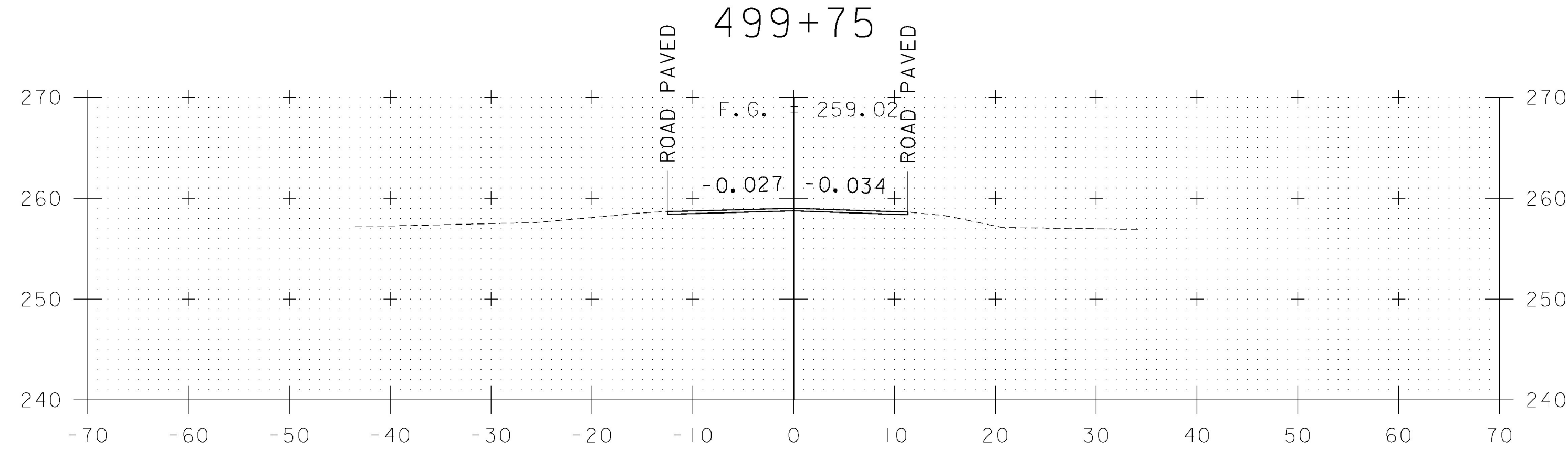
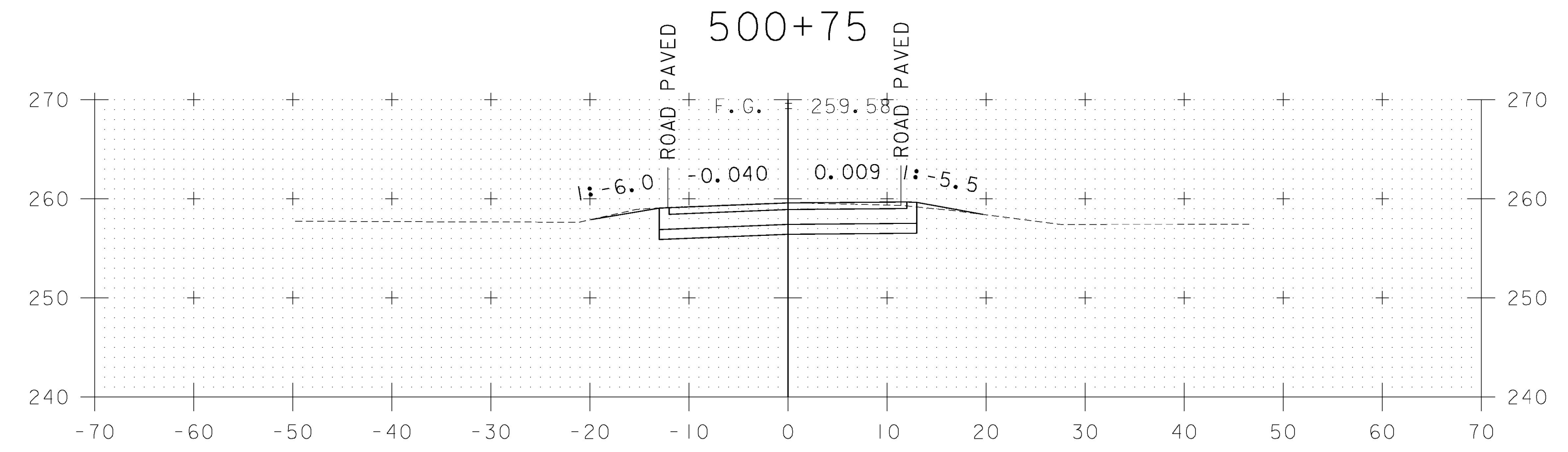
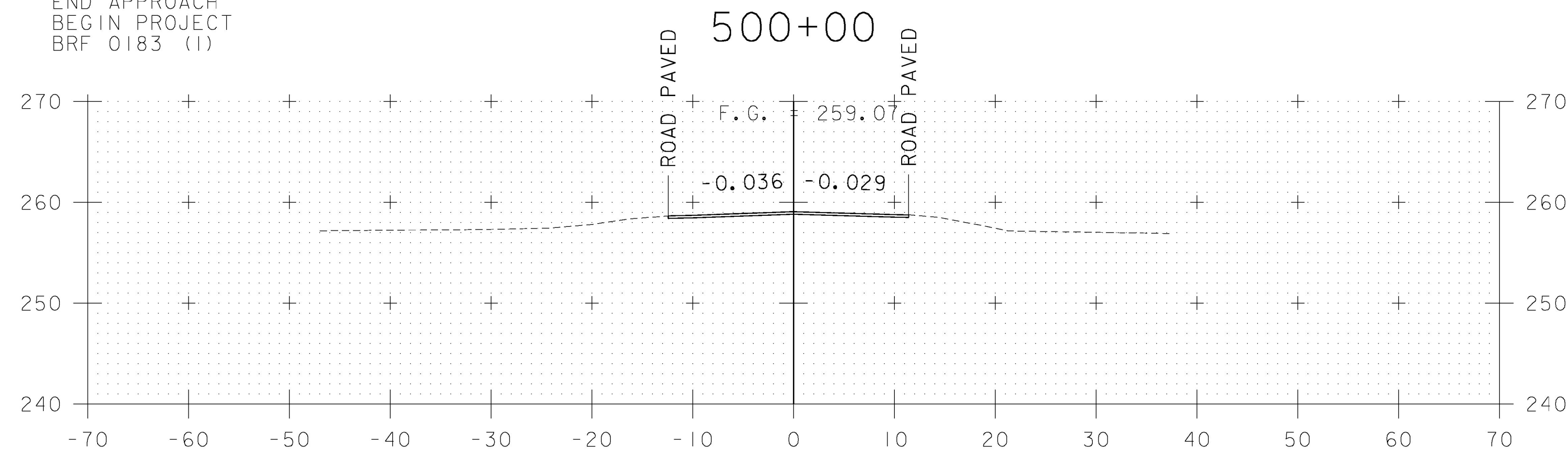


STA 500+00
 END APPROACH
 BEGIN PROJECT
 BRF 0183 (1)



STA 499+50
 BEGIN APPROACH
 MATCH EXISTING CROSS-SLOPES

499+50

500+25

STA. 500+00 - STA. 500+75

PROJECT NAME: NEW HAVEN	PLOT DATE: 23-JUNE-2015
PROJECT NUMBER: BRF 0183 (1)	DRAWN BY: P ARMANO
FILE NAME: z10j070xsl.dgn	CHECKED BY: R BENJAMIN
PROJECT LEADER: G.K. DONINGTON	SHEET 44 OF 67
DESIGNED BY: P ARMANO	
MAINLINE CROSS SECTIONS	

