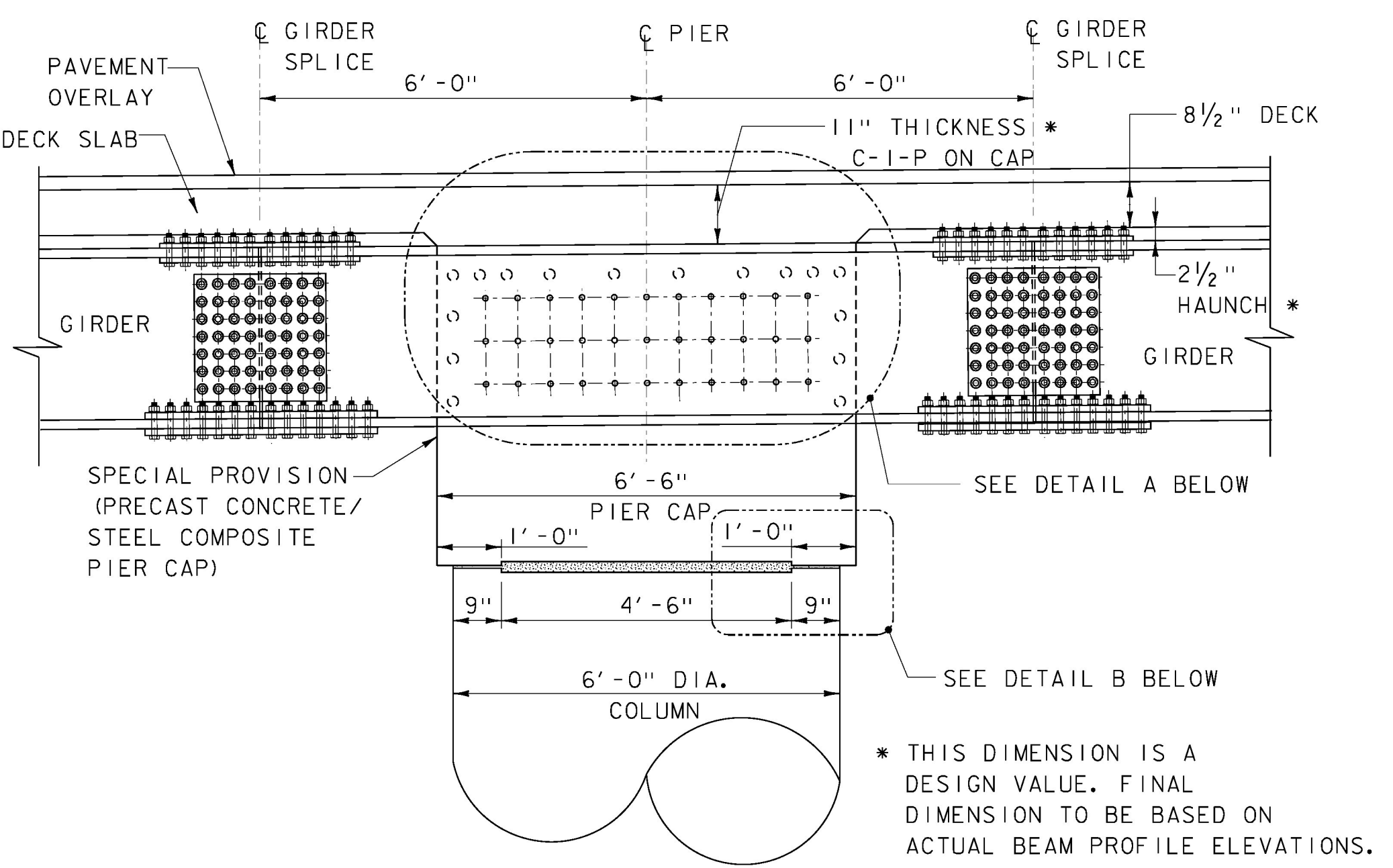
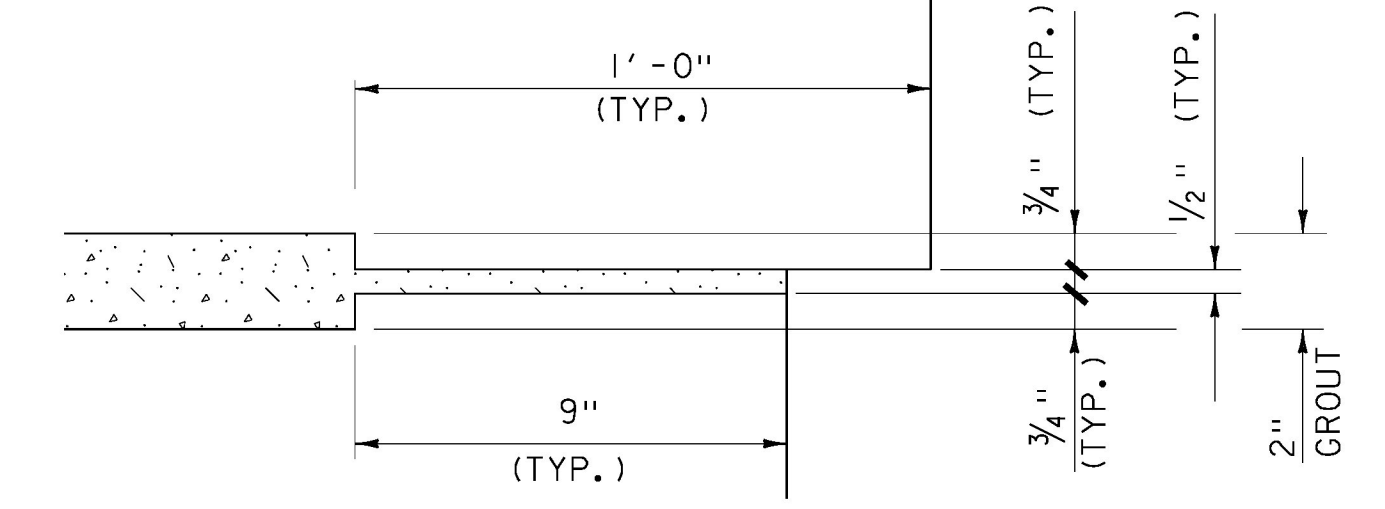


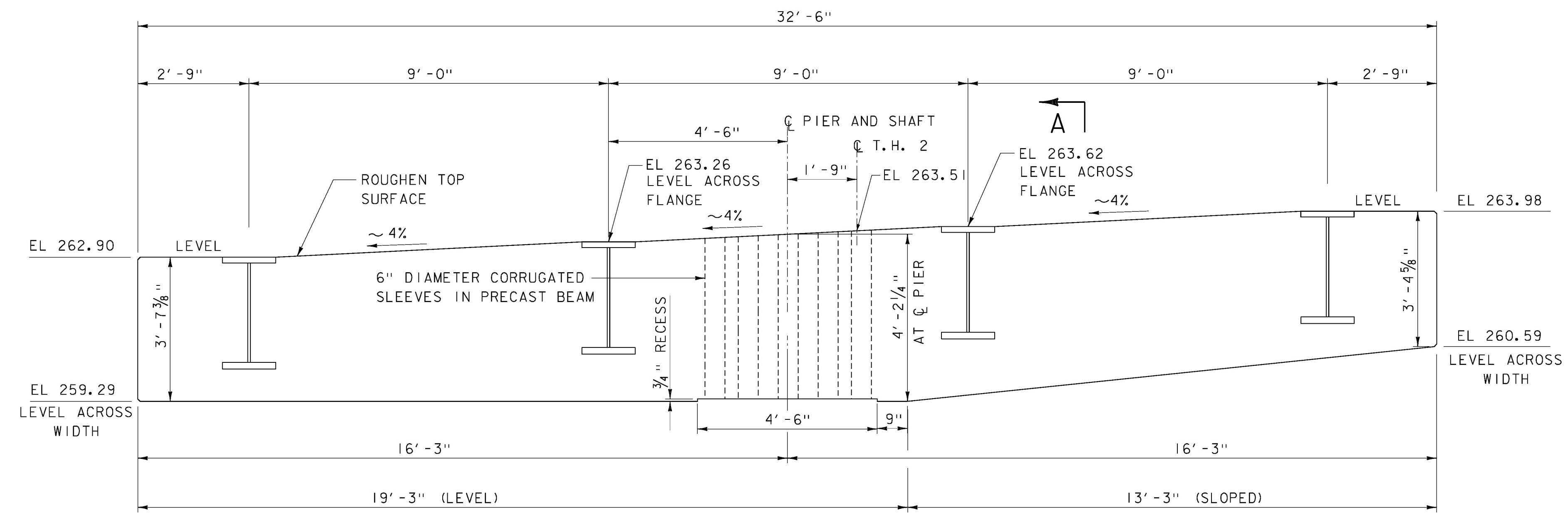
**PLAN - PRECAST PIER CAP MASONRY**  
SCALE: 1/2" = 1'-0"



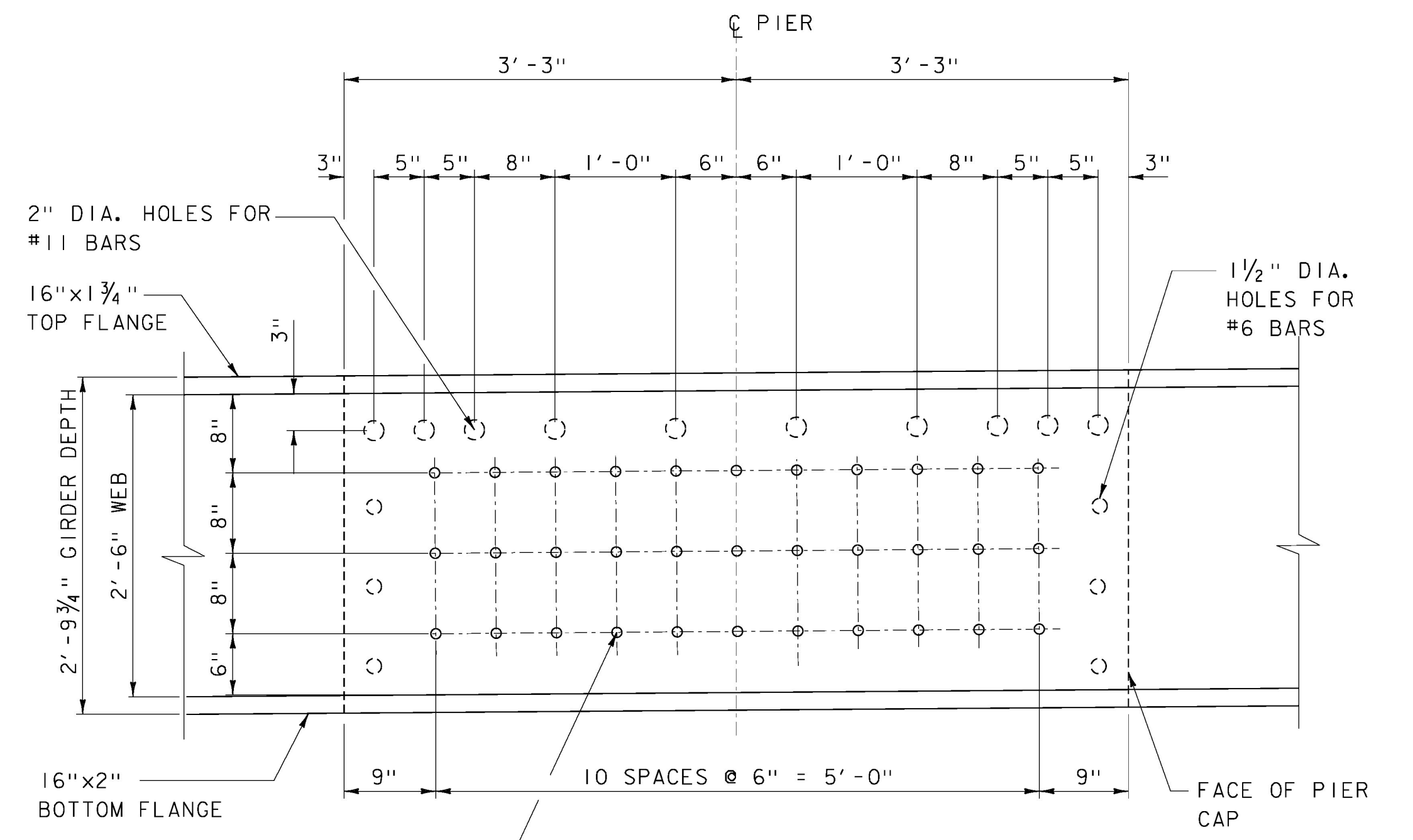
**SECTION A-A**  
(REINFORCEMENT NOT SHOWN)  
SCALE: 1/2" = 1'-0"



**DETAIL B**  
SCALE: 3" = 1'-0"



**ELEVATION PRECAST PIER CAP MASONRY**  
SCALE: 1/2" = 1'-0"



**DETAIL A**  
SCALE: 1" = 1'-0"

NOTE: ELEVATIONS AND DIMENSIONS SHOWN AT © PIER



PROJECT NAME:	NEW HAVEN	FILE NAME:	z10j070sup2.dgn	PLOT DATE:	23-JUNE-2015
PROJECT NUMBER:	BRF 0183 (I)	PROJECT LEADER:	G.K.DONINGTON	DRAWN BY:	W GERHOLD
		DESIGNED BY:	J. KIM	CHECKED BY:	B.BINNEY
		PIER CAP DETAILS (I)			SHEET 40 OF 67