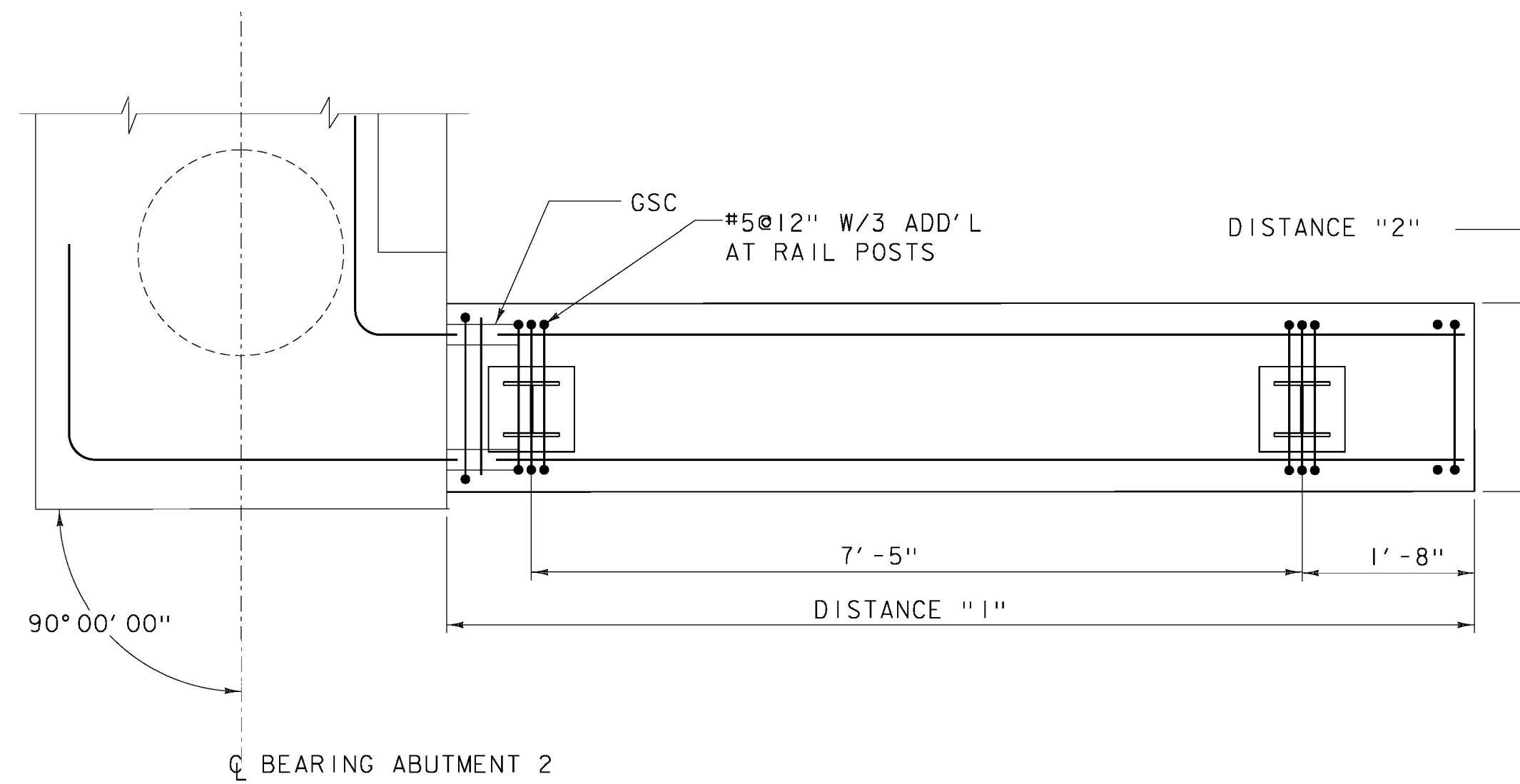


**WINGWALL PLAN (PCU 3)**

(PCU 3 SHOWN, PCU 2 AND PCU 5 SIMILAR)  
SCALE: 3/4" = 1'-0"



**WINGWALL PLAN (PCU 6)**

SCALE: 3/4" = 1'-0"

**PCU 2-3, PCU 5-6 ELEVATIONS**

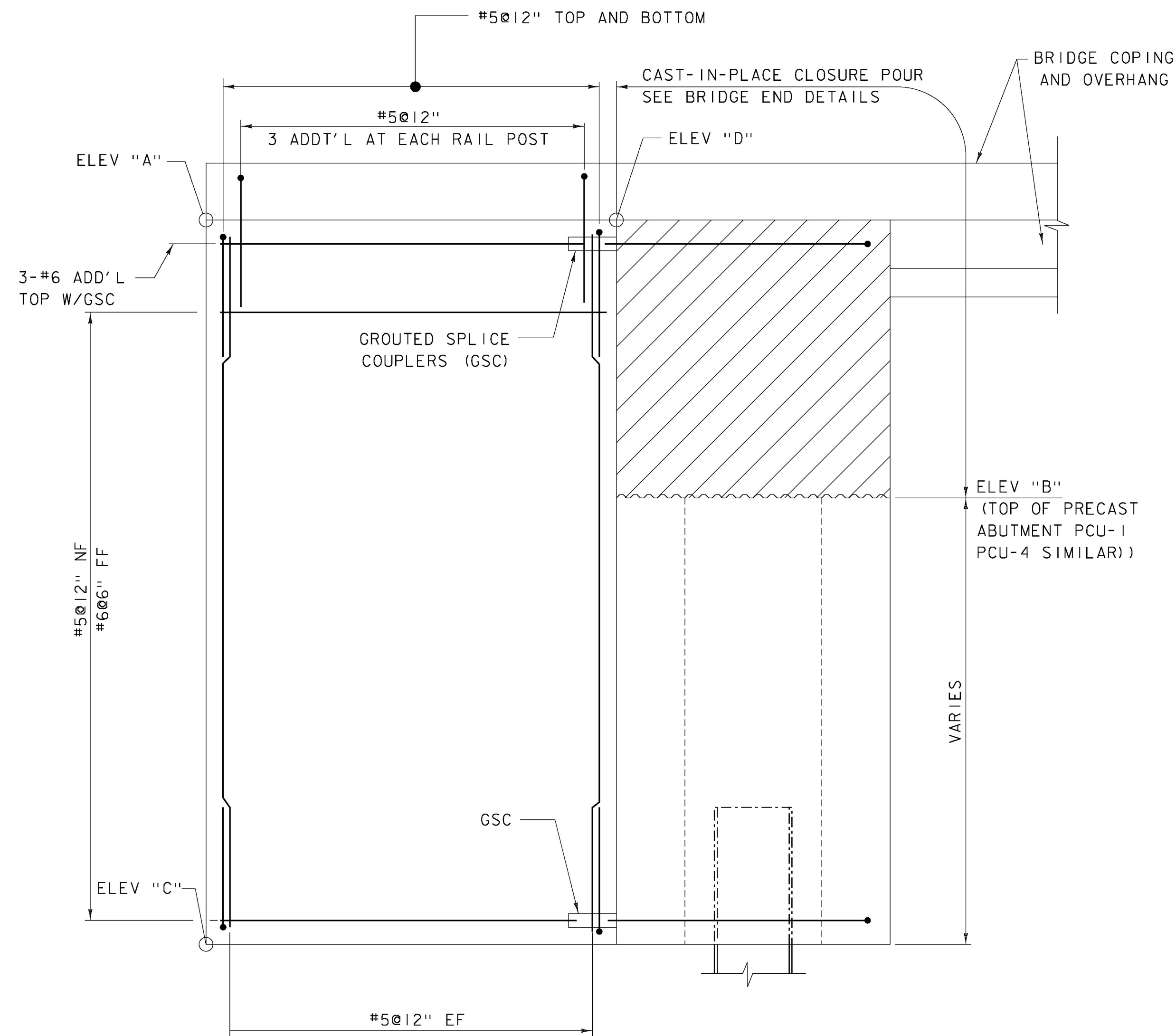
	(PCU 2)	(PCU 3)	(PCU 5)	(PCU 6)
ELEV "A"	262.37	263.52	263.90	265.03
ELEV "B"	258.08	259.38	259.47	260.77
ELEV "C"	252.08	252.08	253.47	253.47
ELEV "D"	262.51	263.65	263.94	265.08
DIST "1"	6'-00"	6'-00"	6'-00"	10'-00"
DIST "2"	1'-10"	1'-10"	1'-10"	1'-10"

**GROUTED SPLICE COUPLER DIMENSIONS**

BAR SIZE	OUTSIDE DIA. (IN)	LENGTH (IN)
5	3	14.125
6	3	14.125
7	3	18.75

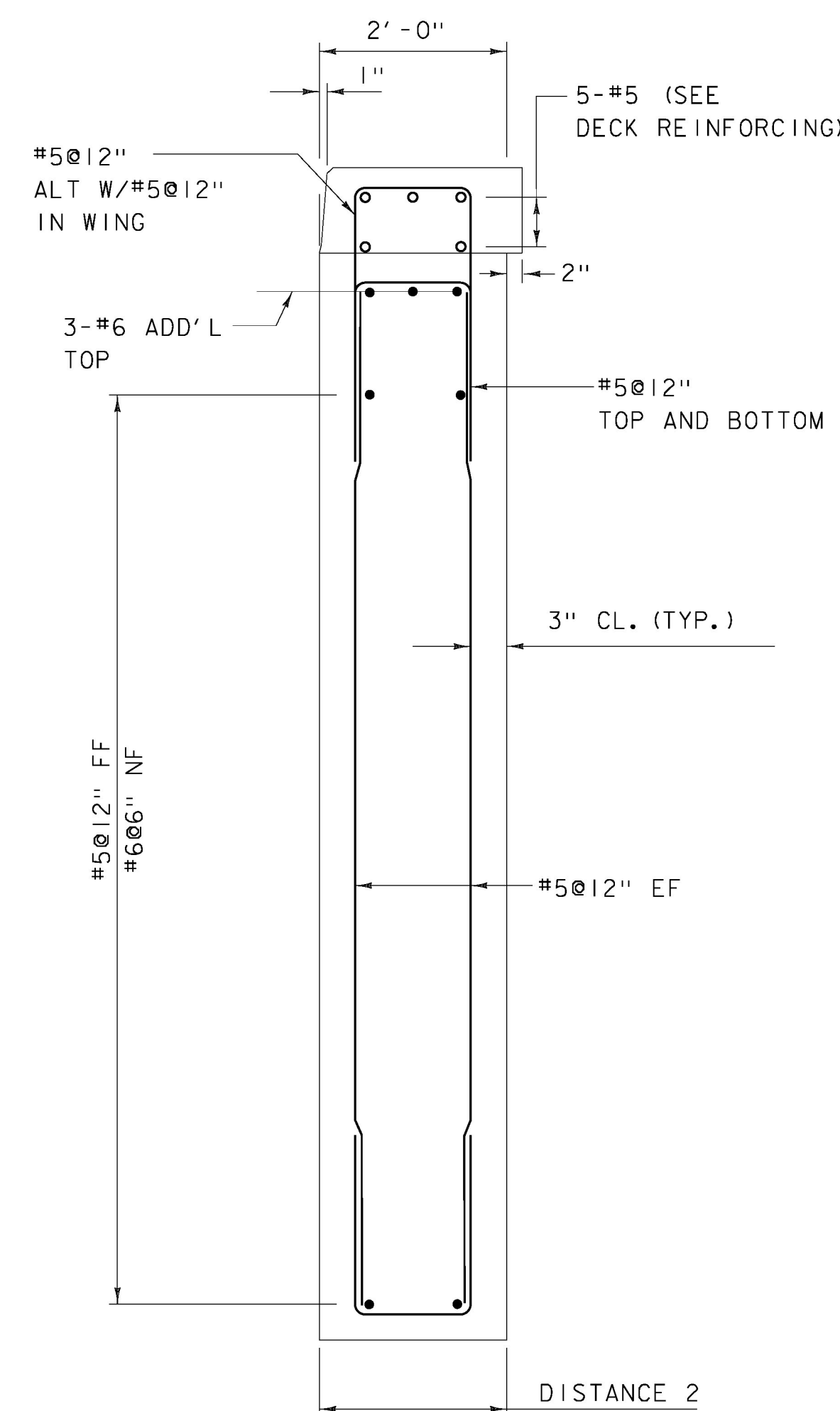
**NOTE:**

NF = NEAR FACE  
FF = FAR FACE  
EF = EACH FACE  
Δ = CUT TO FIT IN FIELD  
GSC = GROUTED SPLICE COUPLER  
3" CLEAR, UNLESS OTHERWISE SPECIFIED ON THE PLANS.  
TOP OF PRECAST WINGWALL SHALL BE ROUGHENED TO 1/4" AMPLITUDE.



**WINGWALL ELEVATION (PCU 3)**

(PCU 3 SHOWN, PCU 2, PCU 5, AND PCU 6 SIMILAR)  
SCALE: 3/4" = 1'-0"



**WINGWALL SECTION A-A (PCU 3)**

(PCU 3 SHOWN, PCU 2, PCU 5, AND PCU 6 SIMILAR)  
SCALE: 3/4" = 1'-0"

PROJECT NAME: NEW HAVEN  
PROJECT NUMBER: BRF 0183 (I)



FILE NAME: z10j070sub5.dgn  
PROJECT LEADER: G.K.DONINGTON  
DESIGNED BY: R. GAUDREAU  
WINGWALL DETAILS

PLOT DATE: 23-JUNE-2015  
DRAWN BY: W GERHOLD  
CHECKED BY: B.HOLSAPPLE  
SHEET 39 OF 67