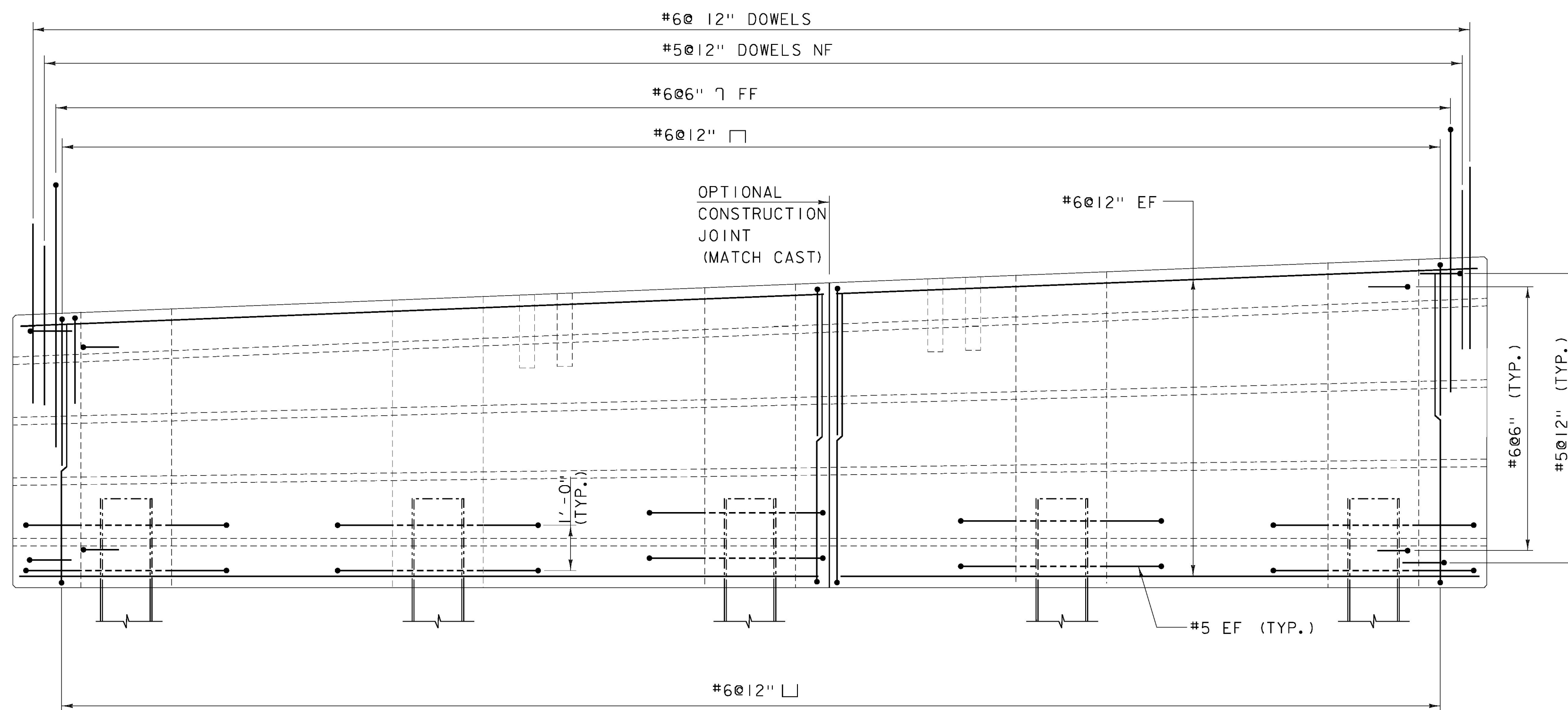
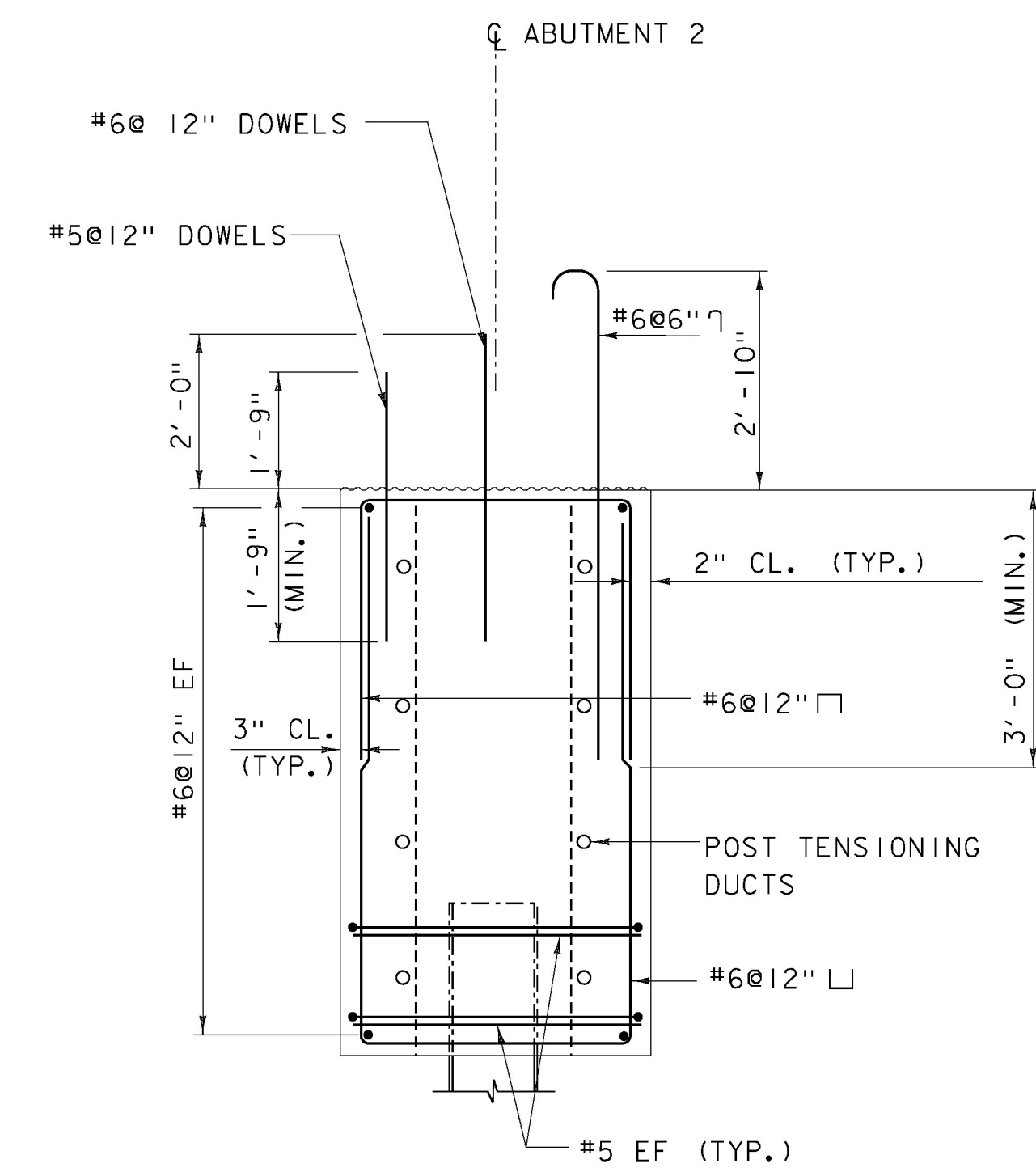


ABUTMENT 2 REINFORCING PLAN (PCU 4)
SCALE: 1/2" = 1'-0"

NOTE:
NF = NEAR FACE
FF = FAR FACE
EF = EACH FACE
3" CLEAR, UNLESS OTHERWISE
SPECIFIED ON THE PLANS.



ABUTMENT 2 REINFORCING ELEVATION (PCU 4)
SCALE: 1/2" = 1'-0"



SECTION A-A
SCALE: 1/2" = 1'-0"

PROJECT NAME: NEW HAVEN
PROJECT NUMBER: BRF 0183 (I)



FILE NAME: z10j070sub4.dgn
PROJECT LEADER: G.K.DONINGTON
DESIGNED BY: J. KIM
ABUTMENT 2 REINFORCING DETAILS

PLOT DATE: 23-JUNE-2015
DRAWN BY: W GERHOLD
CHECKED BY: B.HOLSAPPLE
SHEET 38 OF 67