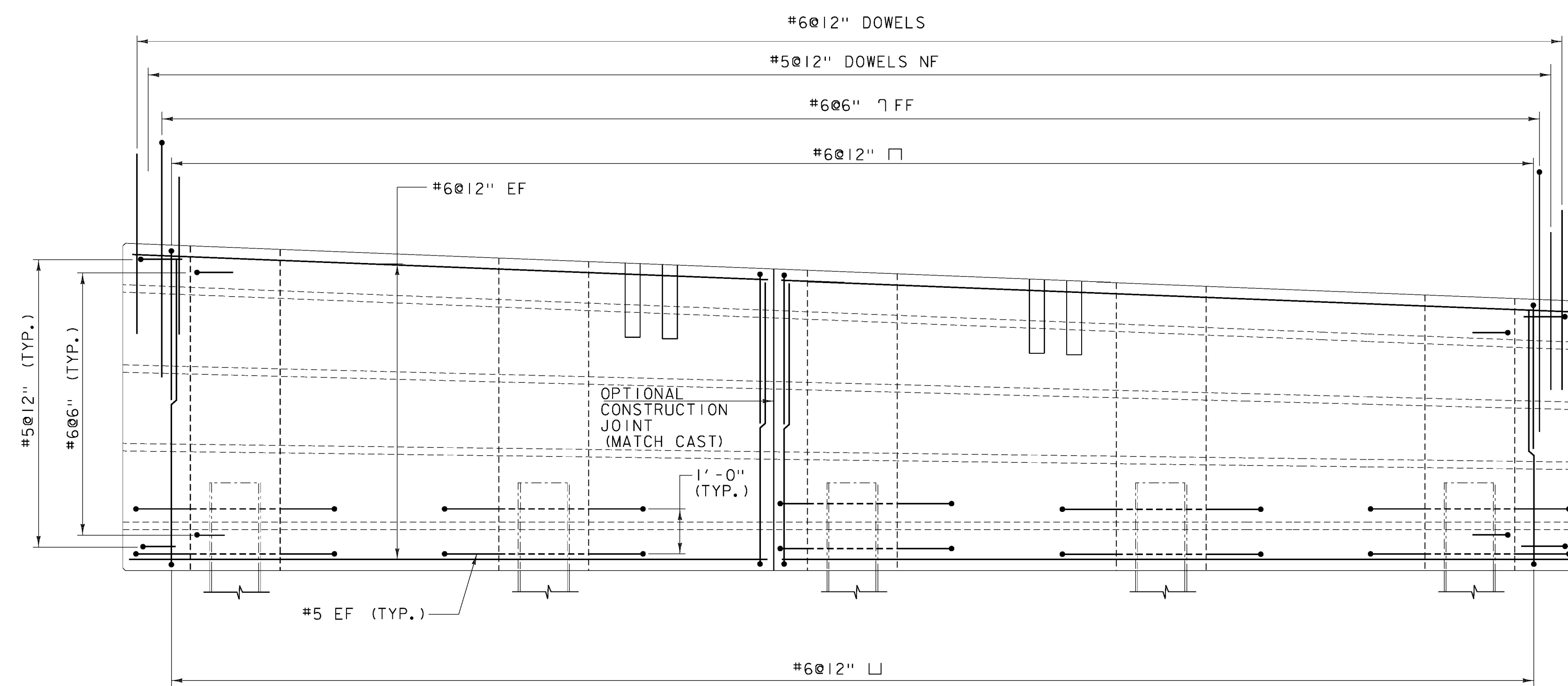


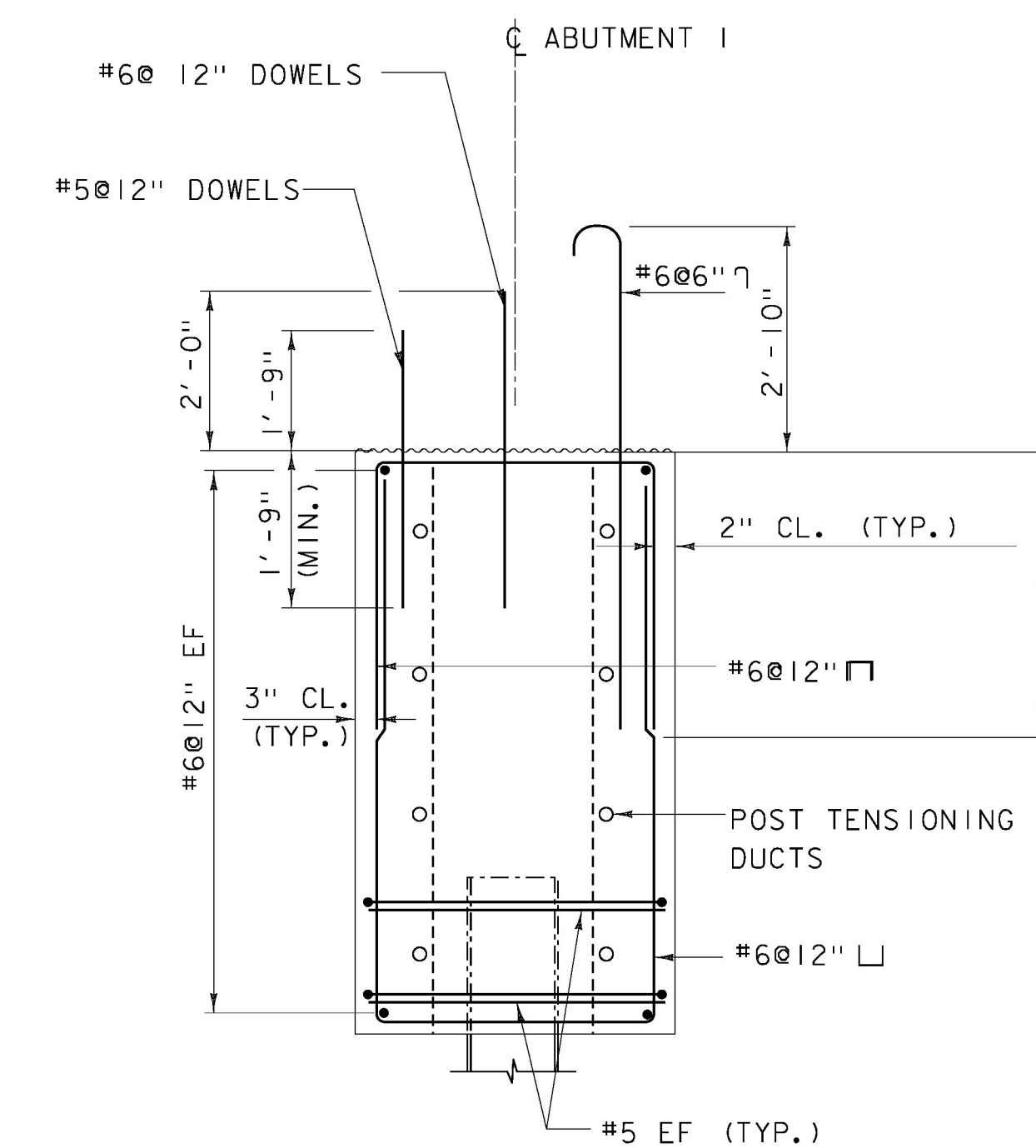
**ABUTMENT I REINFORCING PLAN (PCU I)**  
SCALE: 1/2" = 1'-0"

**NOTE:**

NF = NEAR FACE  
FF = FAR FACE  
EF = EACH FACE  
3" CLEAR, UNLESS OTHERWISE SPECIFIED ON THE PLANS.



**ABUTMENT I REINFORCING ELEVATION (PCU I)**  
SCALE: 1/2" = 1'-0"



**SECTION A-A**  
SCALE: 1/2" = 1'-0"

PROJECT NAME: NEW HAVEN  
PROJECT NUMBER: BRF 0183 (I)

**PB** PARSONS BRINCKERHOFF  
650 ELM STREET  
MANCHESTER, NH 03101  
125 YEARS

FILE NAME: z10j070sub3.dgn  
PROJECT LEADER: G.K.DONINGTON  
DESIGNED BY: J. KIM  
ABUTMENT I REINFORCING DETAILS

PLOT DATE: 23-JUNE-2015  
DRAWN BY: W GERHOLD  
CHECKED BY: B.HOLSAPPLE  
SHEET 36 OF 67