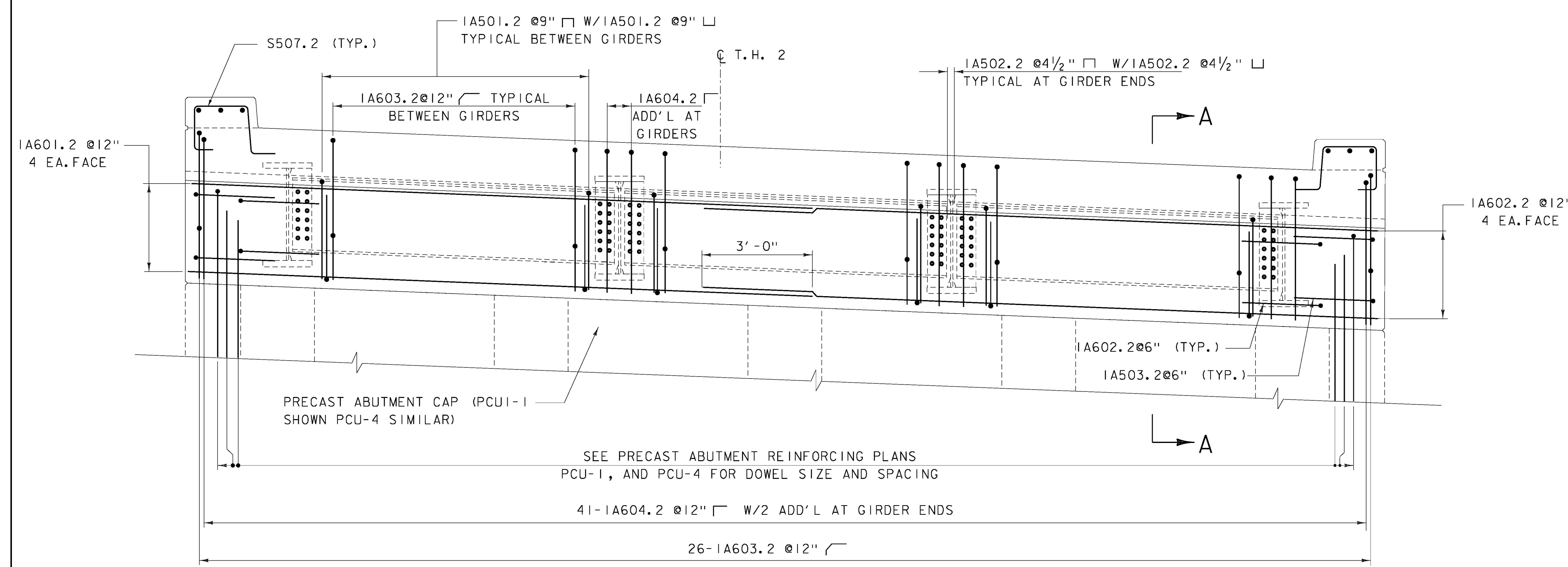


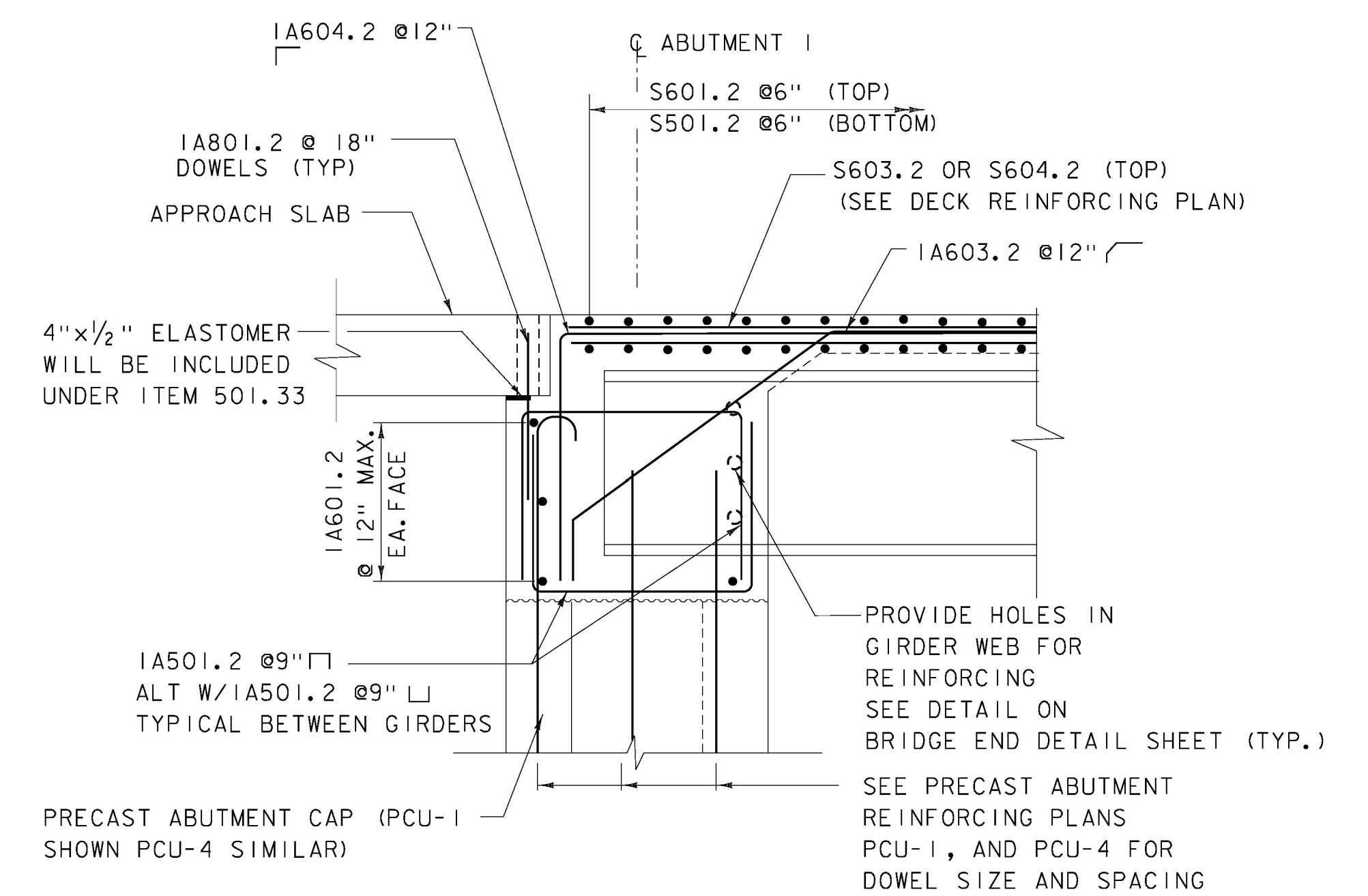
**DECK CLOSURE POUR REINFORCING PLAN**  
 (ABUTMENT 1 SHOWN, ABUTMENT 2 SIMILAR)  
 SCALE: 1/2" = 1'-0"

**NOTES:**

1. Axxx SHOWN, DESIGNATES REINFORCING FOR CLOSURE POUR AT ABUTMENT 1
2. Axxx NOT SHOWN, DESIGNATES REINFORCING FOR CLOSURE POUR AT ABUTMENT 2 (SEE REINFORCING STEEL SCHEDULE)
3. NF = NEAR FACE  
 FF = FAR FACE  
 EF = EACH FACE  
 CUT TO FIT IN FIELD 3" CLEAR, UNLESS OTHERWISE SPECIFIED ON THE PLANS.



**DECK CLOSURE POUR REINFORCING ELEVATION**  
 (ABUTMENT 1 SHOWN, ABUTMENT 2 SIMILAR)  
 SCALE: 1/2" = 1'-0"



**SECTION A-A**  
 SCALE: 1/2" = 1'-0"

PROJECT NAME:	NEW HAVEN
PROJECT NUMBER:	BRF 0183 (I)
FILE NAME:	z10j070sub6.dgn
PROJECT LEADER:	G.K.DONINGTON
DESIGNED BY:	J. KIM
CLOSURE POUR DETAILS	
PLOT DATE:	23-JUNE-2015
DRAWN BY:	W GERHOLD
CHECKED BY:	B.HOLSAPPLE
SHEET	32 OF 67