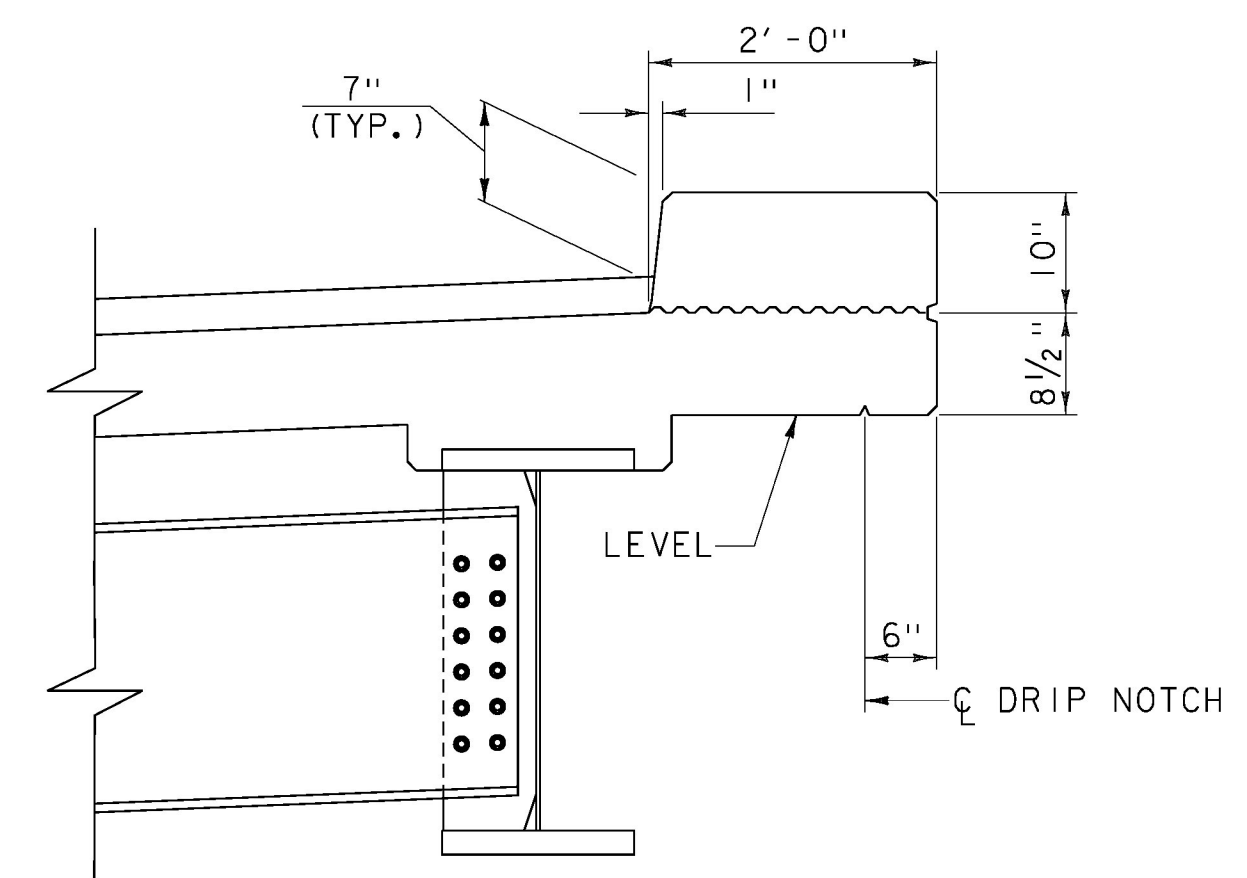
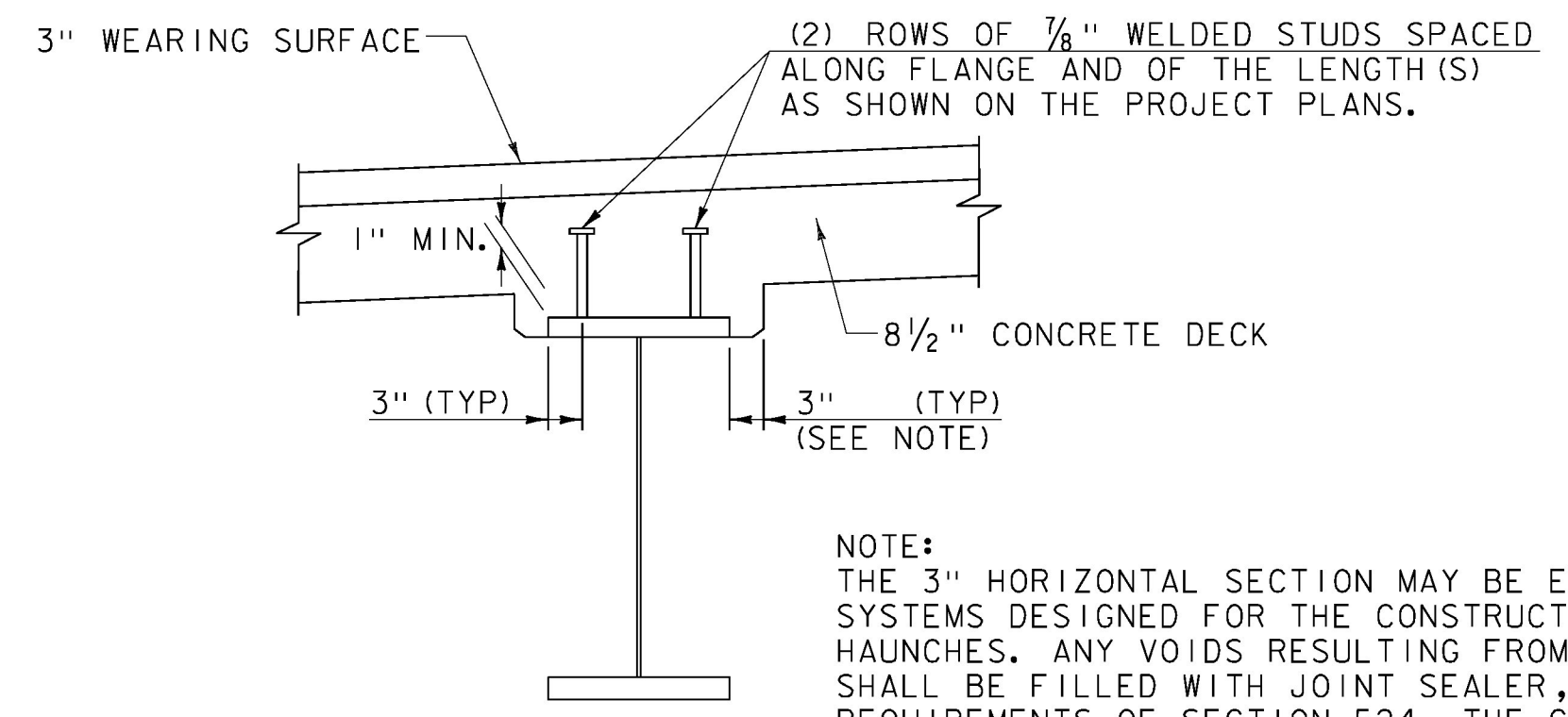


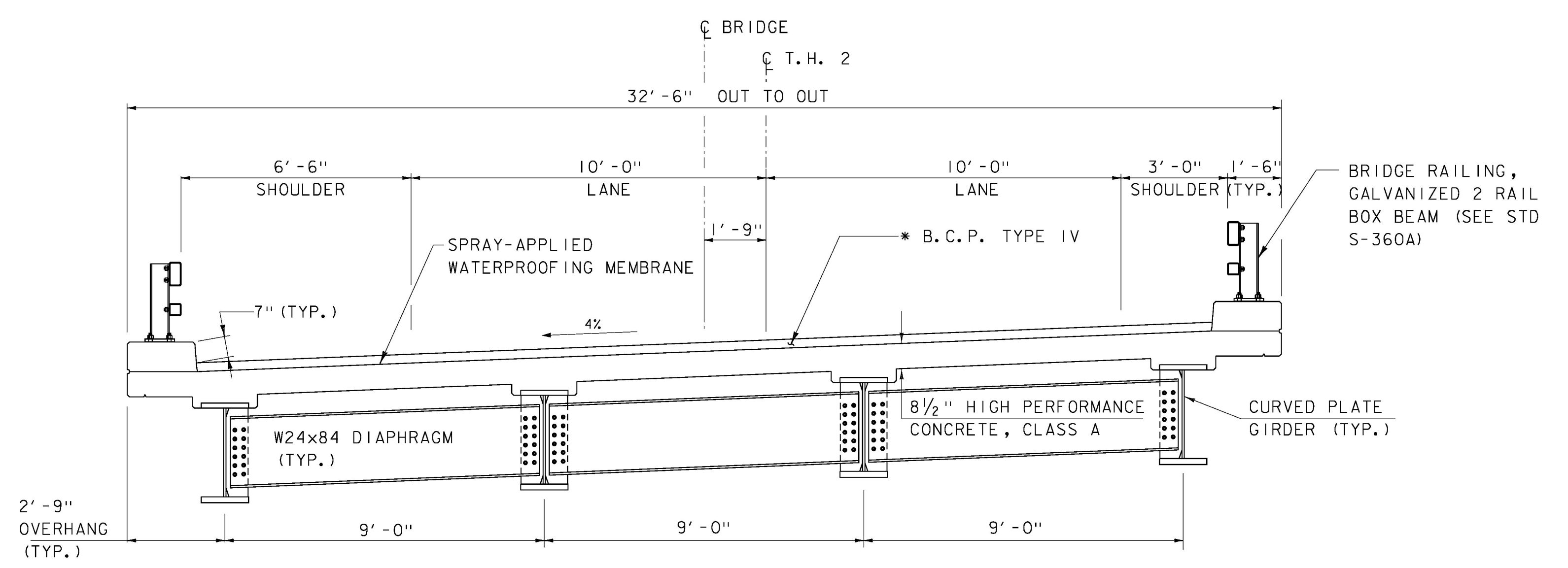
**FRAMING PLAN**  
SCALE: 1" = 10'-0"



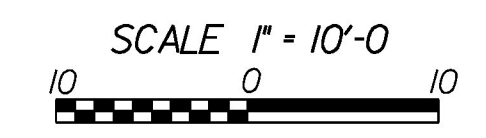
**FASCIA DETAIL**  
SCALE: 3/4" = 1'-0"



**HAUNCH DETAIL**  
SCALE: 3/4" = 1'-0"



**BRIDGE TYPICAL SECTION**  
SCALE: 3/8" = 1'-0"



PROJECT NAME:	NEW HAVEN	FILE NAME:	z10j070sup.dgn	PLOT DATE:	23-JUNE-2015
PROJECT NUMBER:	BRF 0183 (1)	PROJECT LEADER:	G.K.DONINGTON	DRAWN BY:	W GERHOLD
		DESIGNED BY:	R. GAUDREAU	CHECKED BY:	B.HOLSAPPLE
		FRAMING PLAN			SHEET 28 OF 67

**PB** PARSONS BRINCKERHOFF  
650 ELM STREET  
MANCHESTER, NH 03101  
125 YEARS