

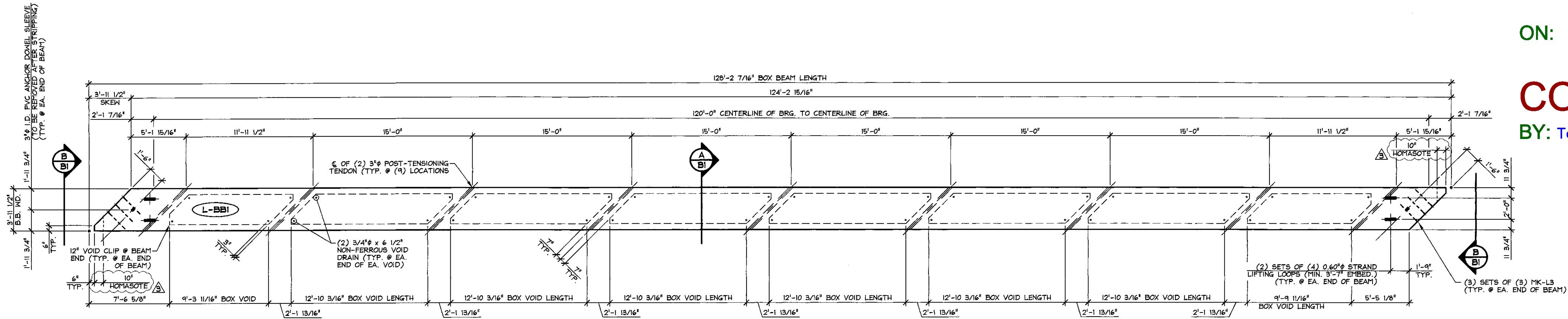
RECEIVED

ON: **June 23, 2015**

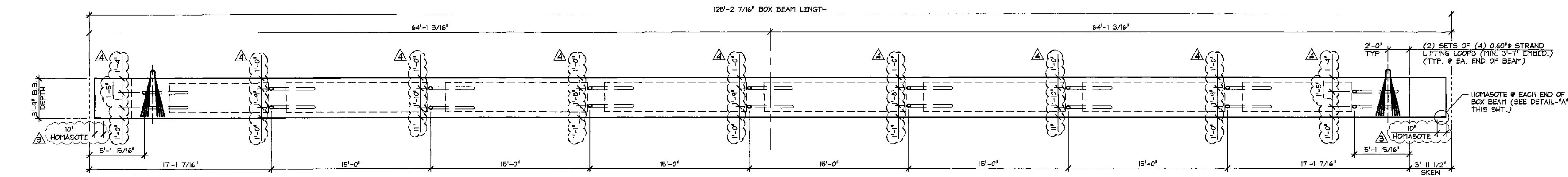
and Checked for

CONFORMANCE

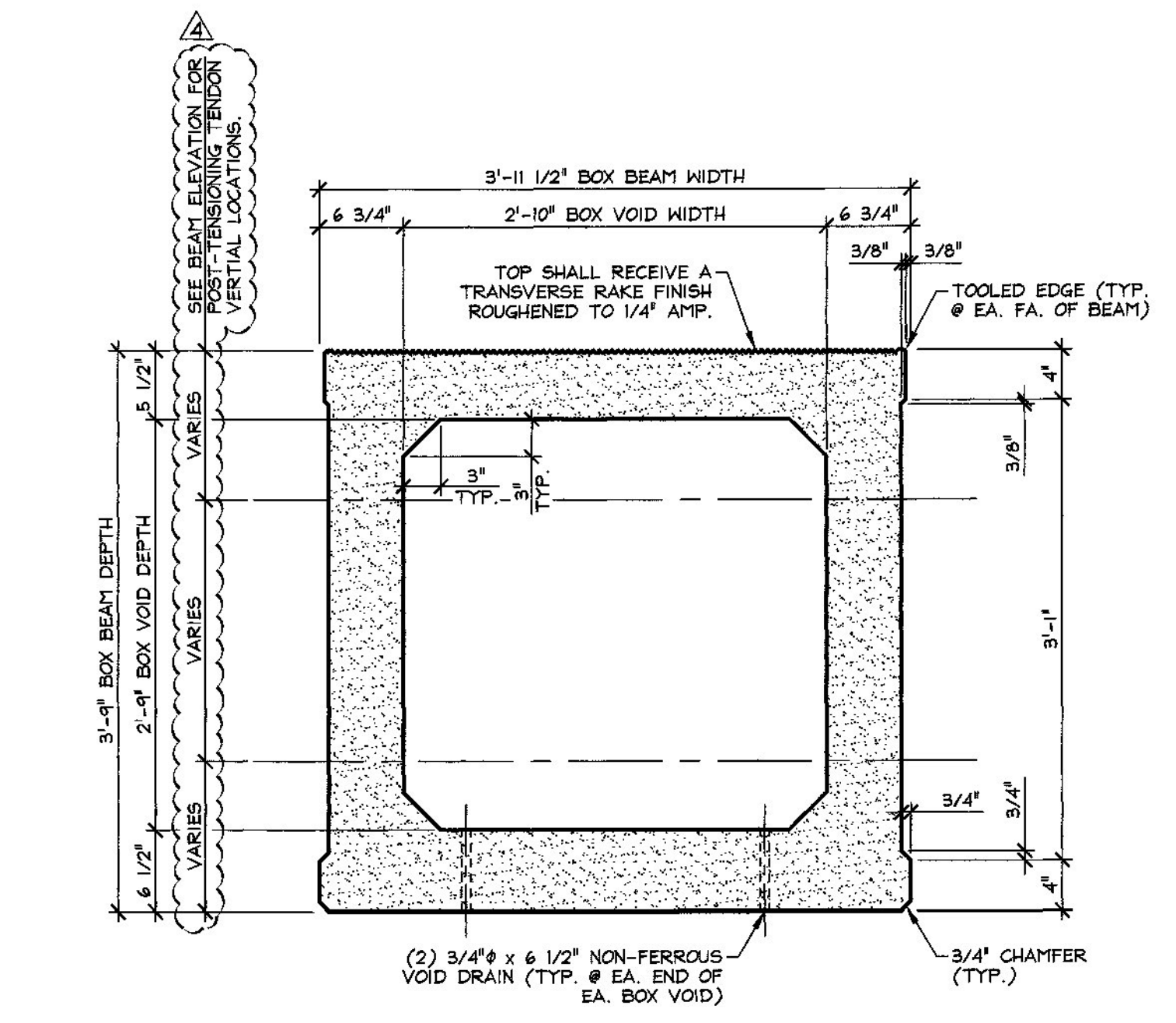
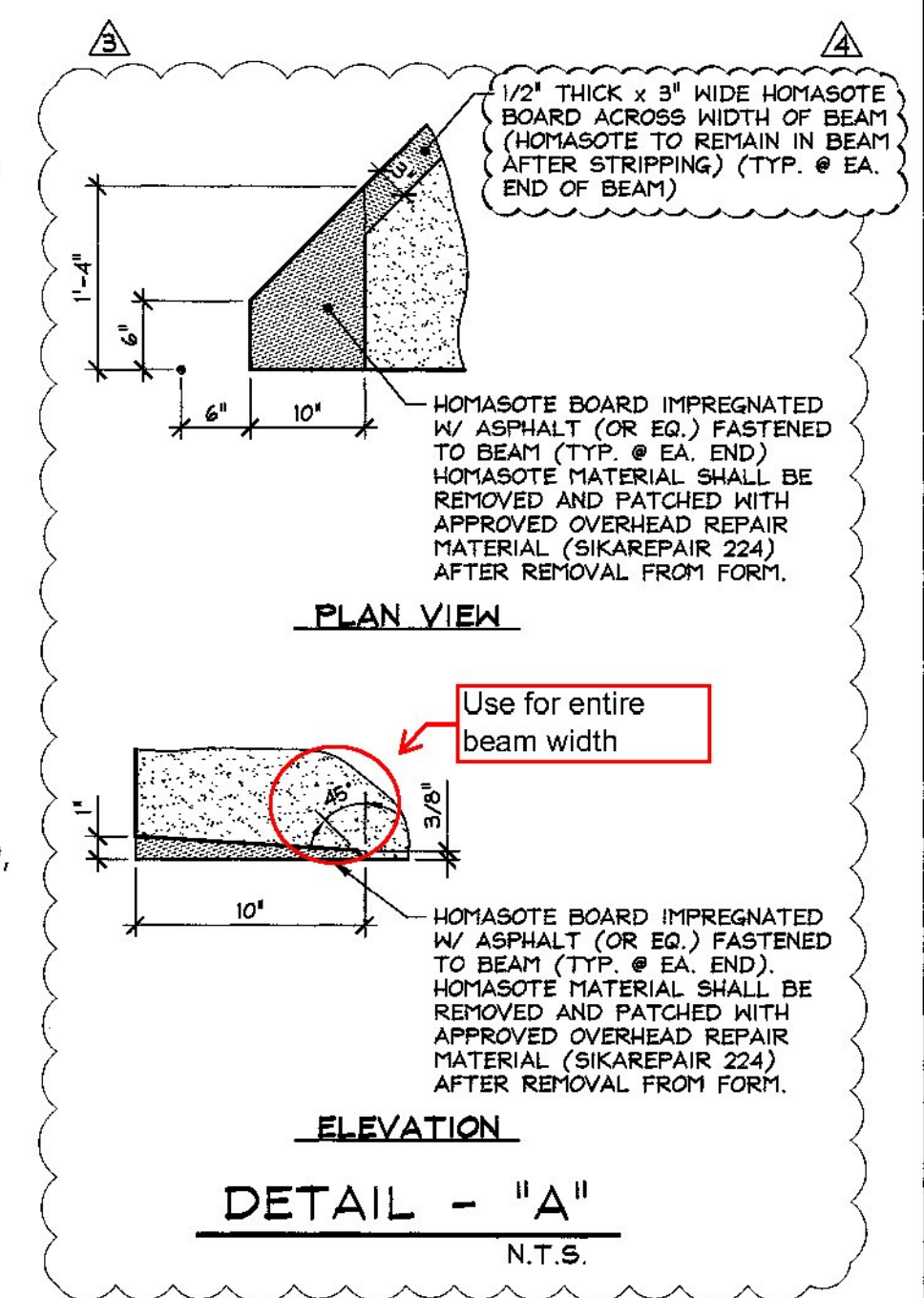
BY: **Todd A. Sumner** DATE: **06/23/2015**



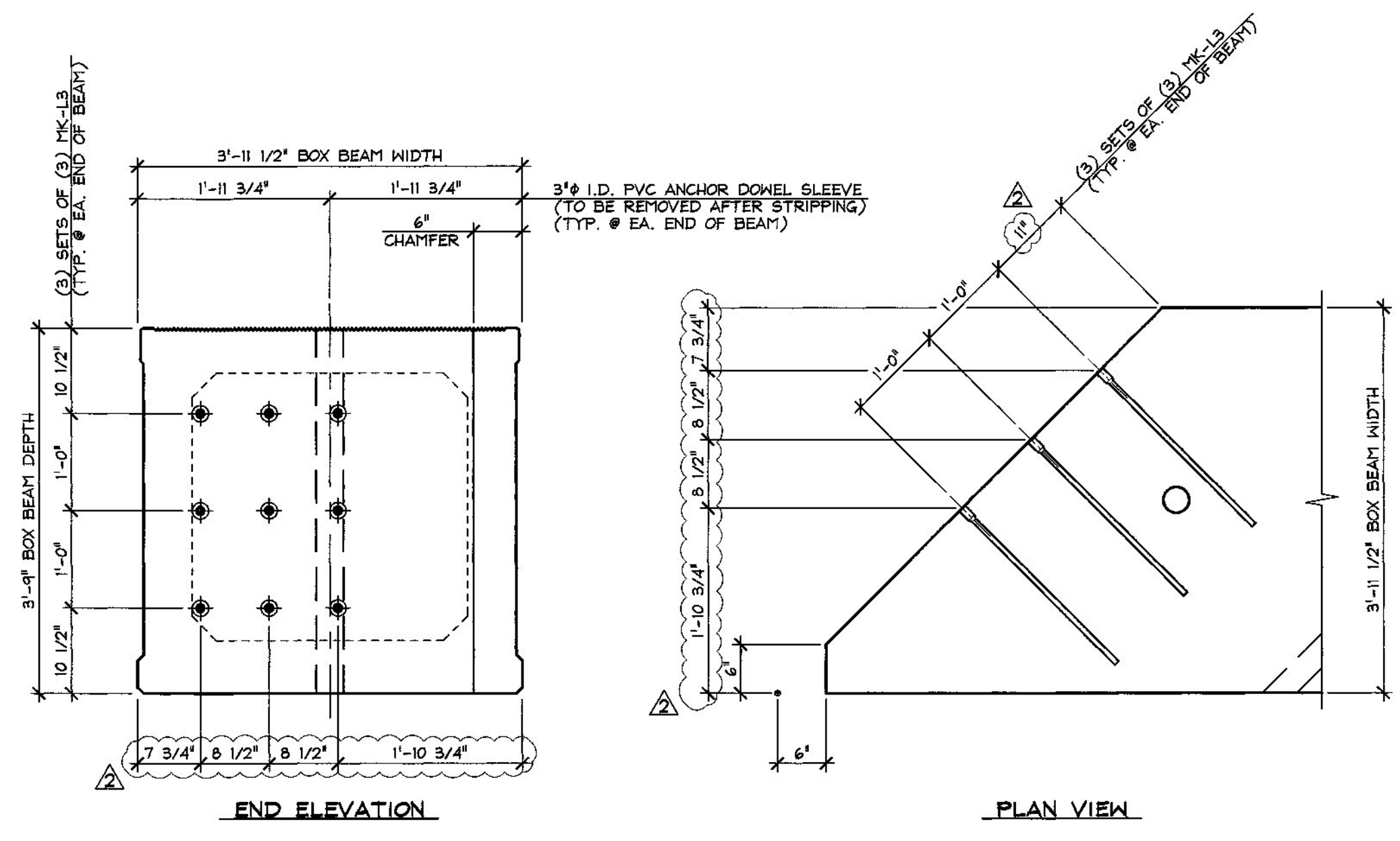
1 DIMENSIONAL PLAN VIEW IN FORM
3/16" = 1'-0"



2 DIMENSIONAL ELEVATION
3/16" = 1'-0"



A DIMENSIONAL SECTION
1" = 1'-0"



B BEAM END DETAILS
3/4" = 1'-0"

SUBMITTAL REVIEW
Review is only for general conformity to the contract drawings and specifications and shall not relieve the contractor of his entire responsibility under the contract, including among other things, dimensions to be confirmed and correlated at the job site, and information that pertains to the fabrication processes or to techniques of construction.
 NO EXCEPTIONS TAKEN
 MAKE CORRECTIONS NOTED: RESUBMITTAL NOT REQUIRED
 AMEND AND RESUBMIT
 REJECTED - SEE REMARKS
BY: *Ram. G. [Signature]*
DATE: *6/23/2015*

- △ 6-22-15 REVISE P.T. TENDON LOCATIONS
- △ 6-17-15 REVISE HOMASOTE DETAIL
- △ 5-11-15 REVISED AS NOTED
- △ 4-27-15 GENERAL REVISIONS

SHOP NOTE:
f_c = 8,000 PSI
f_t = 6,000 PSI
MIX #426M (NO DCl)

MATERIAL LIST / BOX BEAM			
ITEM	MARK	DESCRIPTION	QTY.
1			
2			
3	MK-L3	DAYTON #5 x 2'-3" D-101-A STRAIGHT DONEL BAR SPICER (STAINLESS STEEL CLAD)	18
4			
5			
6		3/4" x 6 1/2" NON-FERROUS VOID DRAIN	32
7		2'-10" x 2'-9" x 9'-9" 11/16" BOX VOID	2
8		2'-10" x 2'-9" x 12'-10 3/16" BOX VOID	6
9		SET OF (4) 0.60" STRAND LIFTING LOOPS	4
10			

APPROVAL STAMP:

J.P. CARRARA & SONS INC. Precast & Prestress Manufacturer 2454 GAGE ST., MIDDLEBURY, VERMONT 05753 Phone: (802)398-6361 Fax: (802)388-9010	J.A. McDONALD, INC. CONTRACTOR LYNDON CENTER, VERMONT
	STATE OF VERMONT AGENCY OF TRANSPORTATION COUNTY OF ADDISON
TOWN OF LINCOLN TH 1 (RURAL MAJOR COLLECTOR) OVER NEW HAVEN RIVER BRIDGE NO.: 19 PROJECT NO.: BRP 0188 (8)	CHKD: M.W. DFTM: B.L. JOB NO: 23459-015
PRESTRESSED BOX BEAM DIMENSIONAL DETAILS	DWG. NO: B1