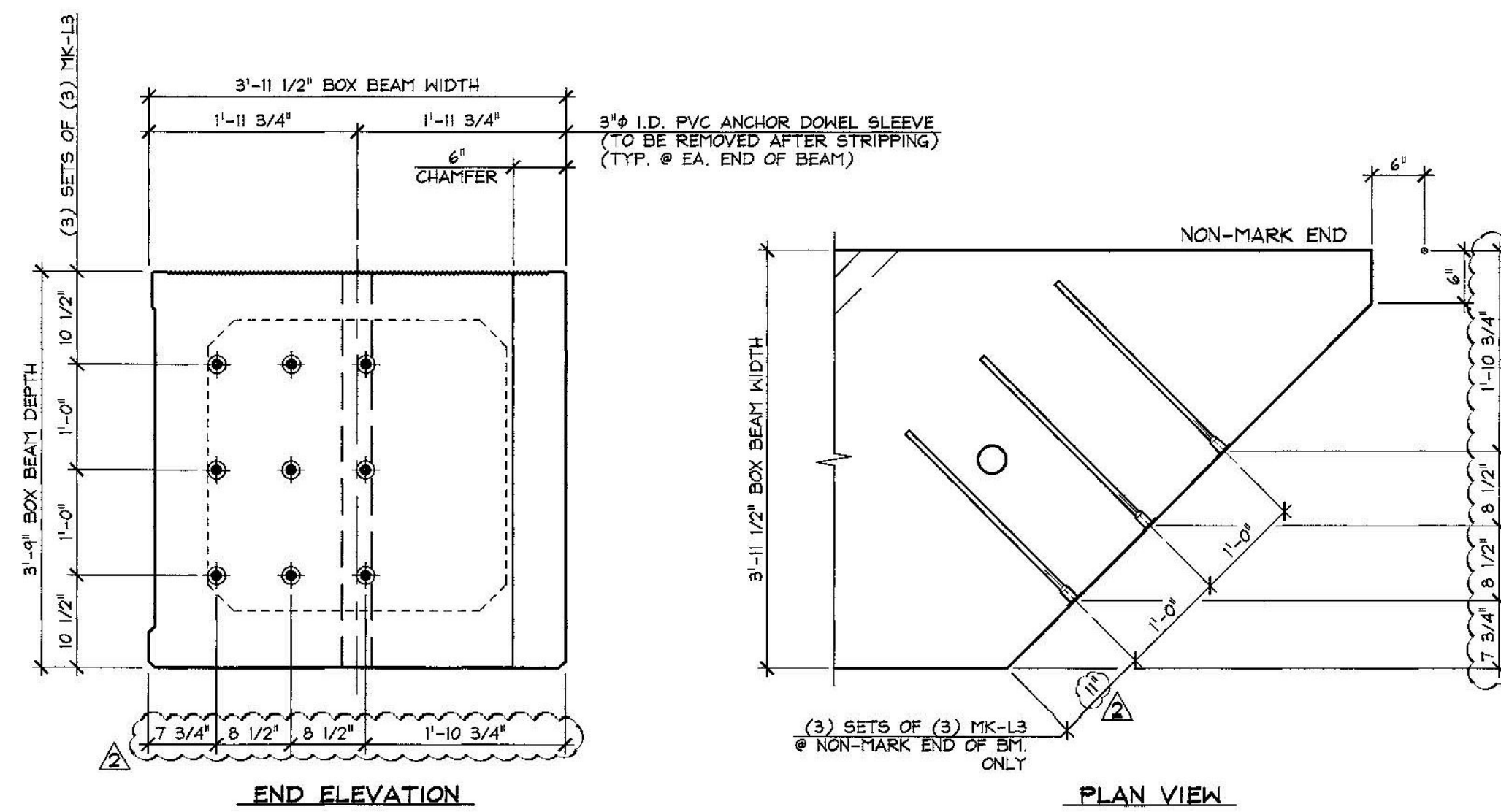
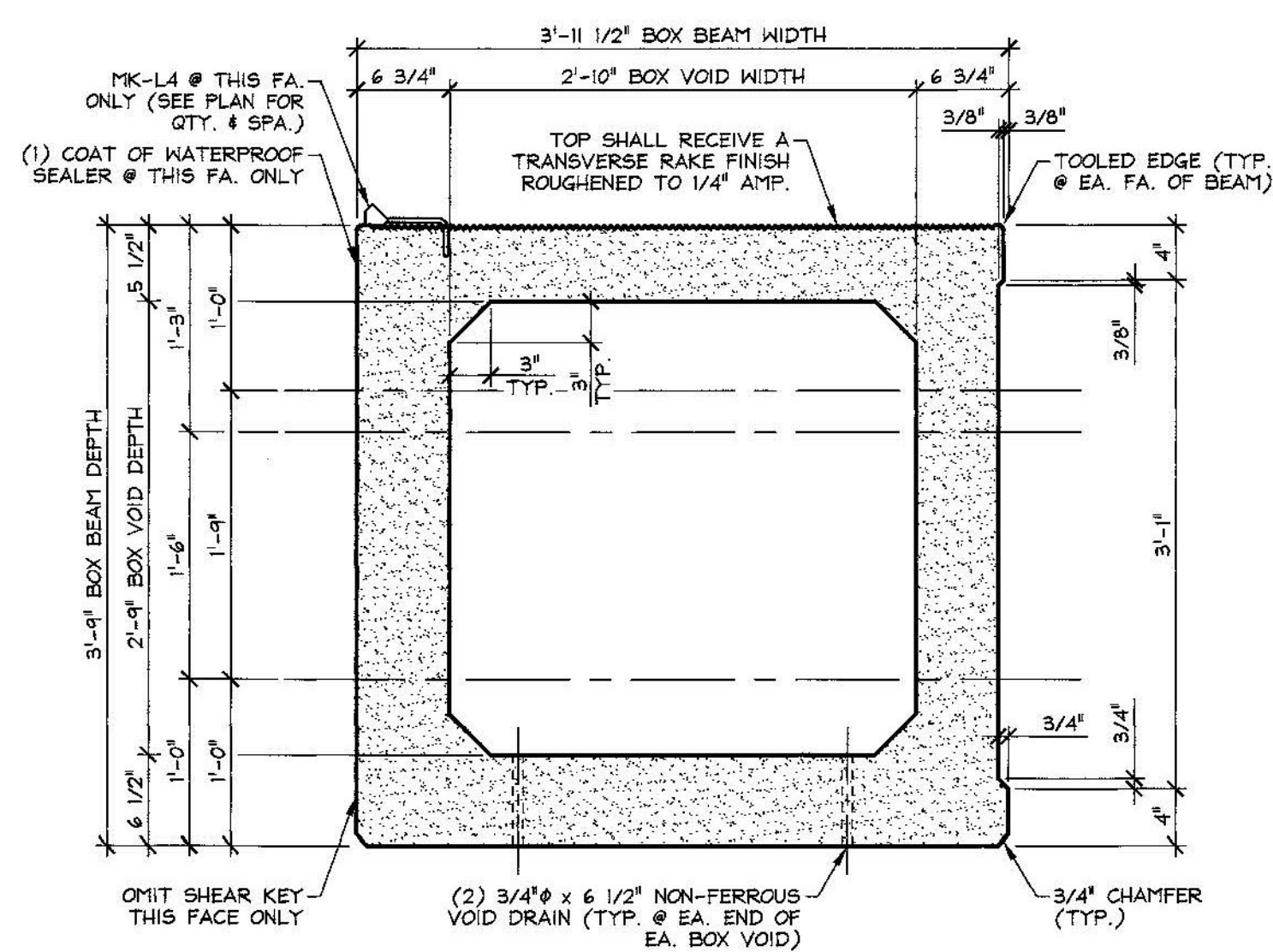
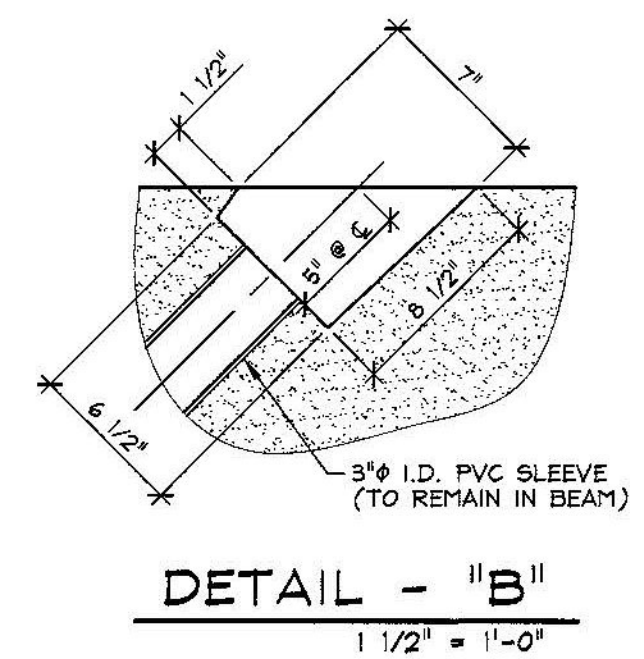
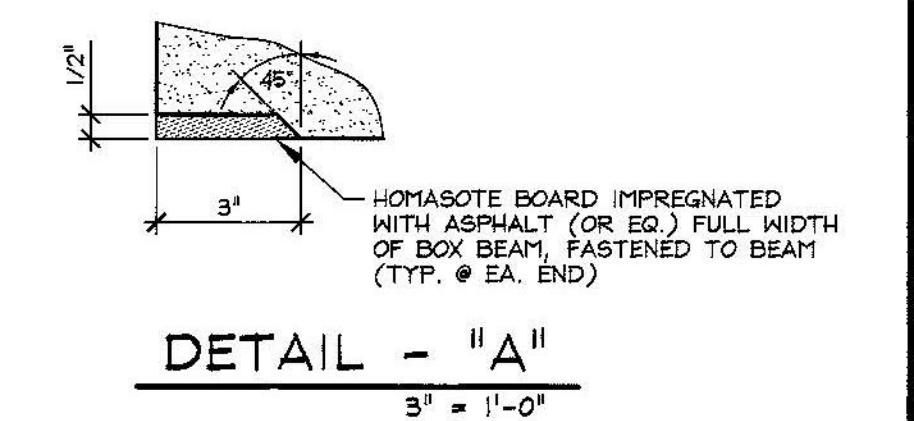
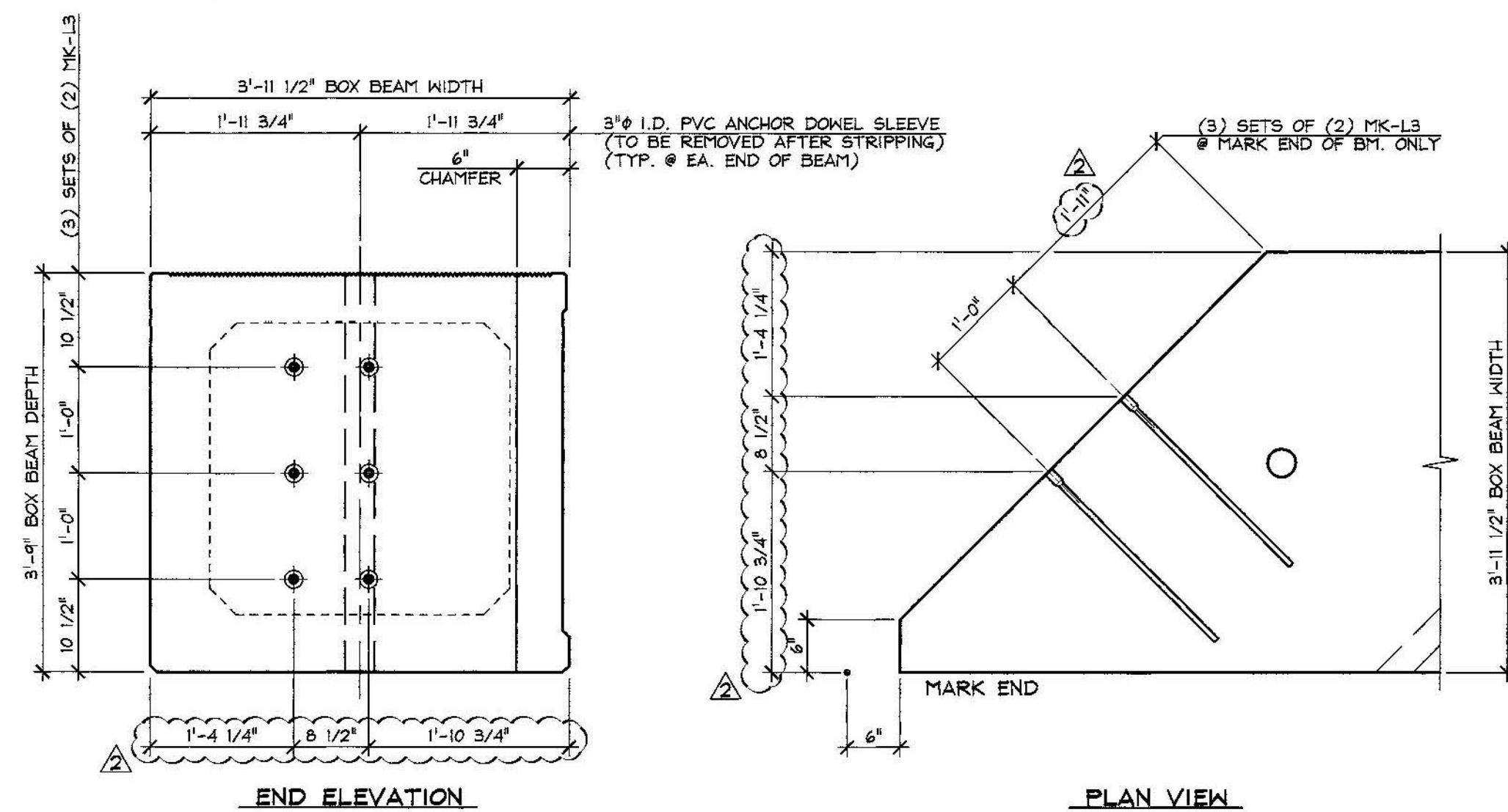


**SHOP NOTE:**  
SEE "2B" FOR BEAM ELEVATION FOR POST-TENSIONING TENDON VERTICAL LOCATIONS.

Vermont Agency of Transportation  
**RECEIVED**  
 ON: **May 12, 2015**  
 and Checked for  
**CONFORMANCE**  
 BY: **Todd A. Sumner** DATE: **05/13/2015**



**SUBMITTAL REVIEW**  
 Review is only for general conformity to the contract drawings and specifications and shall not relieve the contractor of his entire responsibility under the contract, including among other things, dimensions to be confirmed and correlated at the job site, and information that pertains to the fabrication processes or to techniques of construction.  
 NO EXCEPTIONS TAKEN  
 MAKE CORRECTIONS NOTED  
 RESUBMITTAL NOT REQUIRED  
 AMEND AND RESUBMIT  
 REJECTED - SEE REMARKS  
 BY: *Ryan L. Sumner*  
 DATE: *5/12/2015*

**SHOP NOTE:**  
 F<sub>c</sub> = 8,000 PSI  
 F<sub>t</sub> = 6,000 PSI  
 MIX #426M (NO DCI)

MARK	QTY.	WT.	VOL.
L-BB3	1	78.51 T	38.77 cy

ITEM	MARK	DESCRIPTION	QTY.
1			
2			
3	MK-L3	DAYTON #5 x 2'-8\"/>	
4	MK-L4	DAYTON C-24 TYPE 4-APR DECK FORM HANGER (GALV.)	29
5			
6		3/4\"/>	
7		2'-10\"/>	
8		2'-10\"/>	
9		SET OF (4) 0.60\"/>	
10			

5-11-15 REVISED AS NOTED  
 4-27-15 GENERAL REVISIONS

APPROVAL STAMP:	<b>J.P. CARRARA &amp; SONS INC.</b> Precast & Prestress Manufacturer 2464 CASE ST., MIDDLEBURY, VERMONT 05753 Phone: (802)388-6361 Fax: (802)388-9010	<b>J.A. McDONALD, INC.</b> CONTRACTOR LYNDON CENTER, VERMONT
<b>STATE OF VERMONT AGENCY OF TRANSPORTATION</b> COUNTY OF ADDISON		DATE: FEB. 6, 2015 SCALE: NOTED
TOWN OF LINCOLN TH 1 (RURAL MAJOR COLLECTOR) OVER NEW HAVEN RIVER BRIDGE NO.: 19 PROJECT NO.: BRP 0188 (B)		CHKD: M.W. DFTM: B.L. JOB NO: 23459-015
<b>PRESTRESSED BOX BEAM</b> DIMENSIONAL DETAILS		DWG. NO: <b>B3</b>