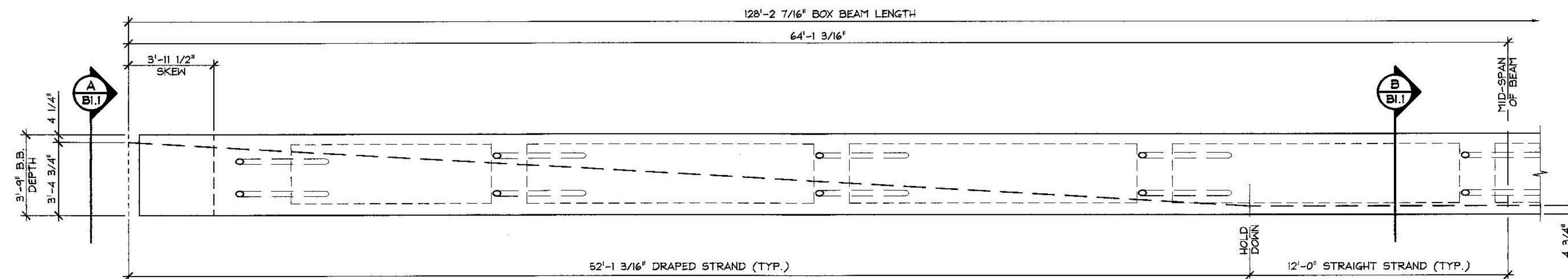
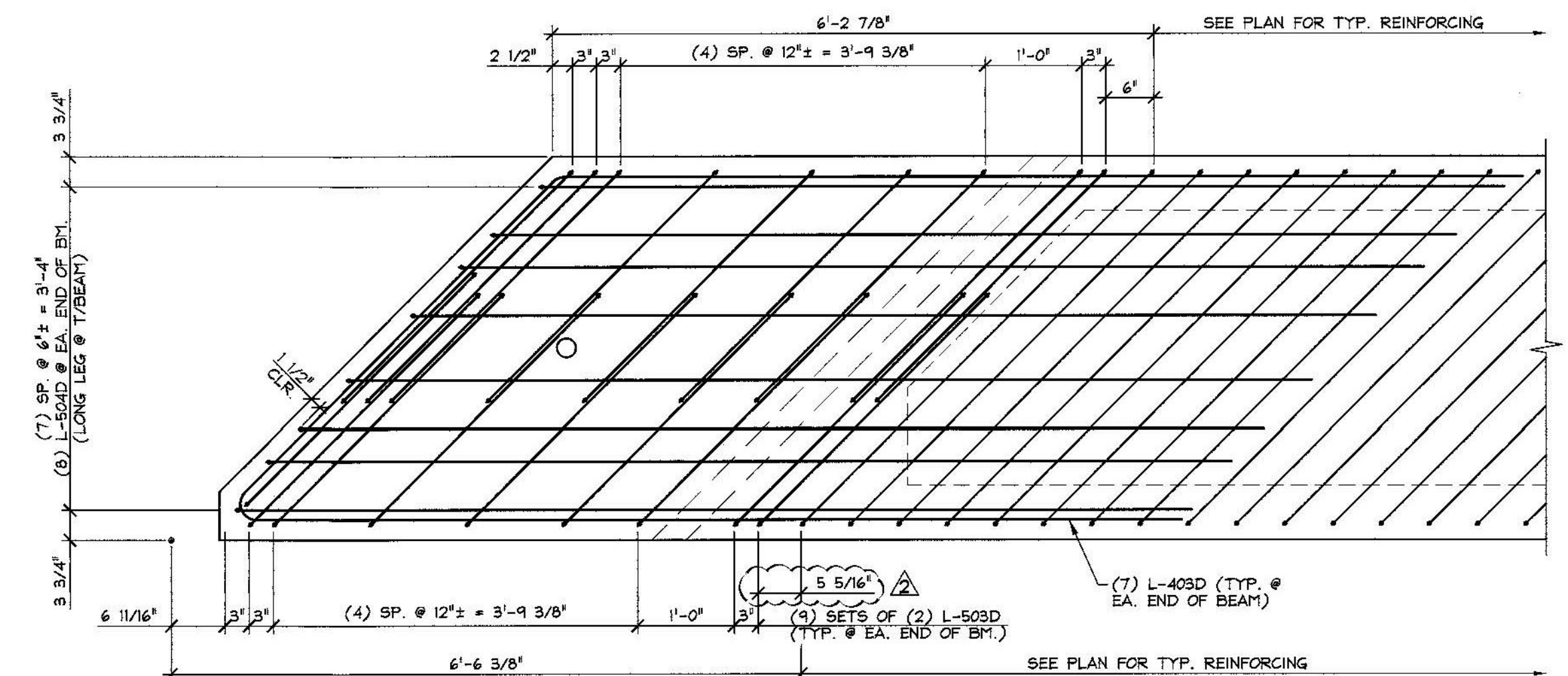


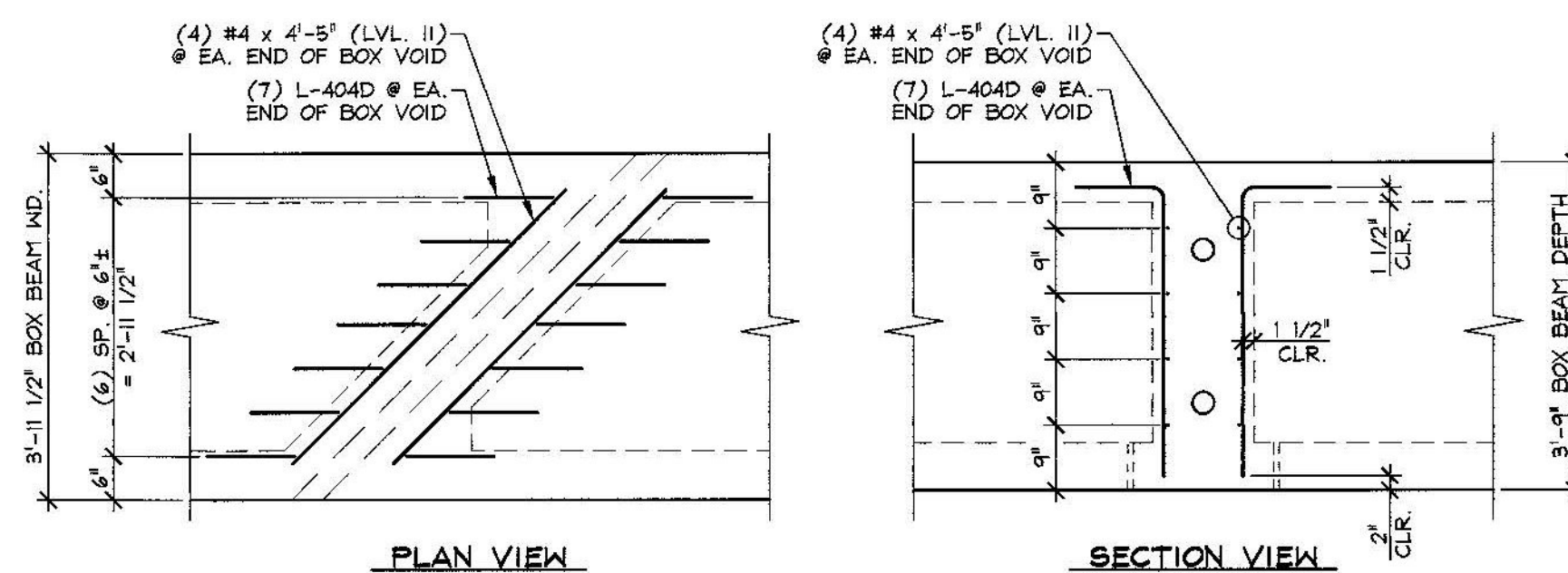
1 DIMENSIONAL PLAN VIEW IN FORM
3/16" = 1'-0"



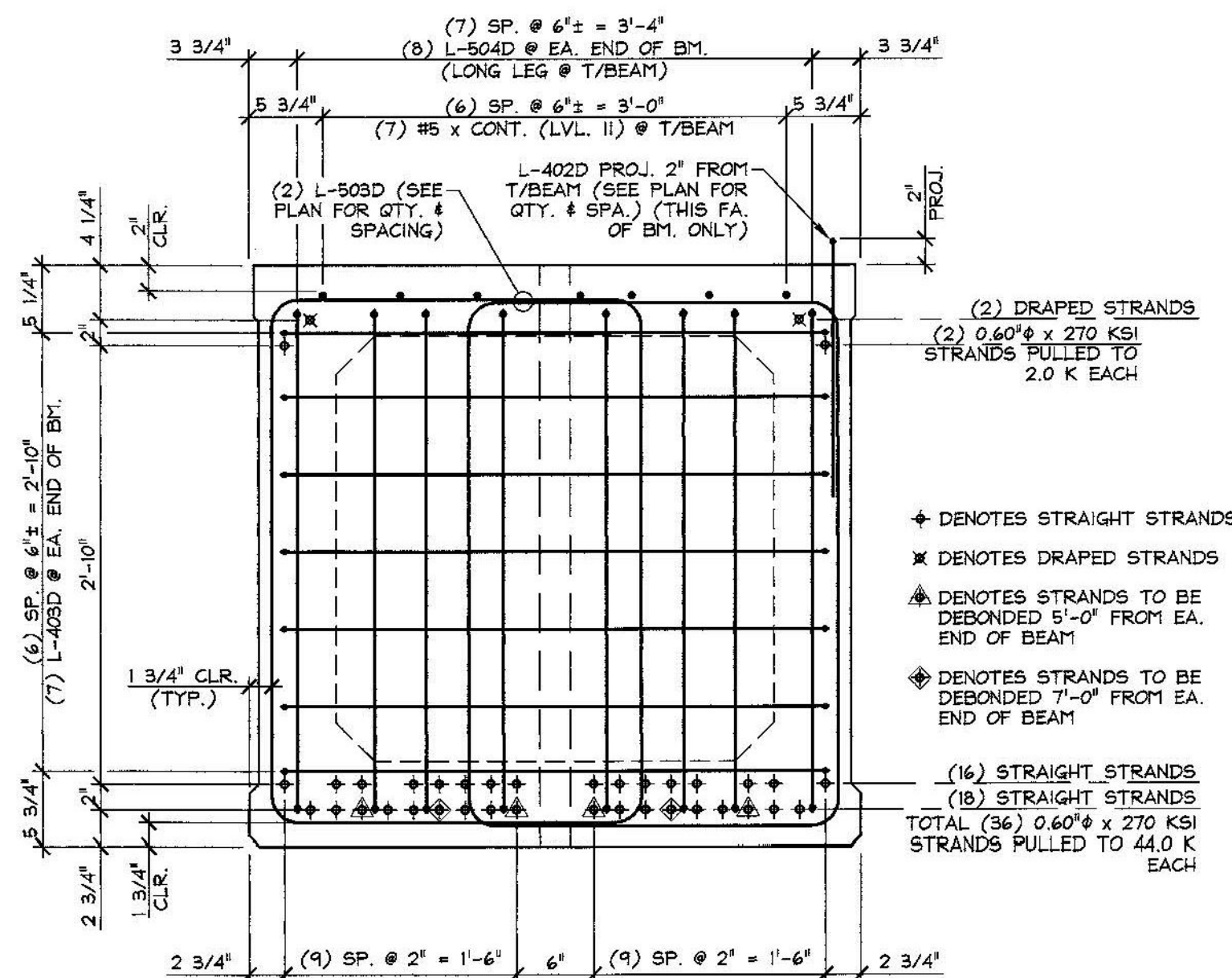
2 PARTIAL DRAPED STRAND ELEVATION
1/4" = 1'-0"



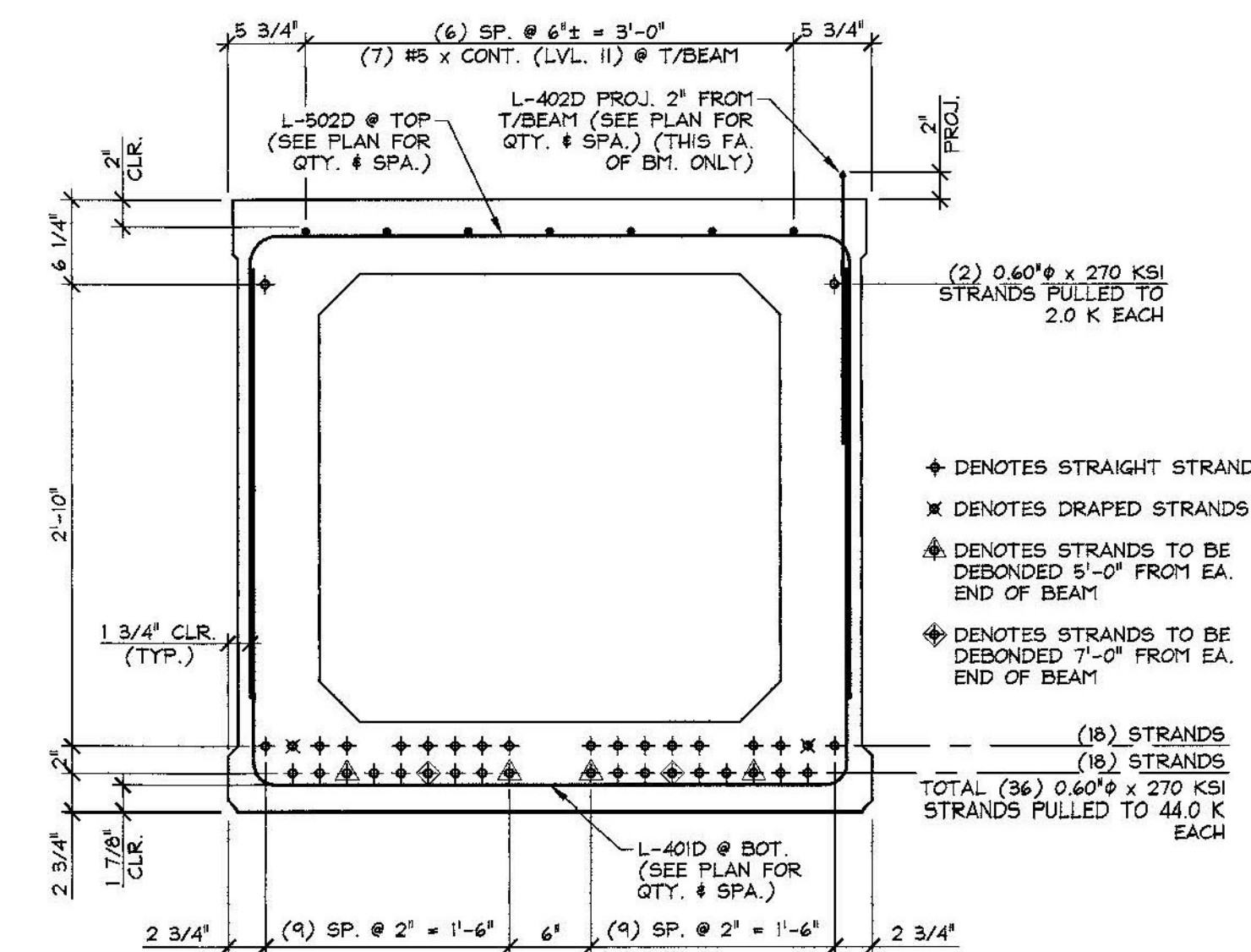
D END BLOCK REINFORCING PLAN
3/4" = 1'-0"



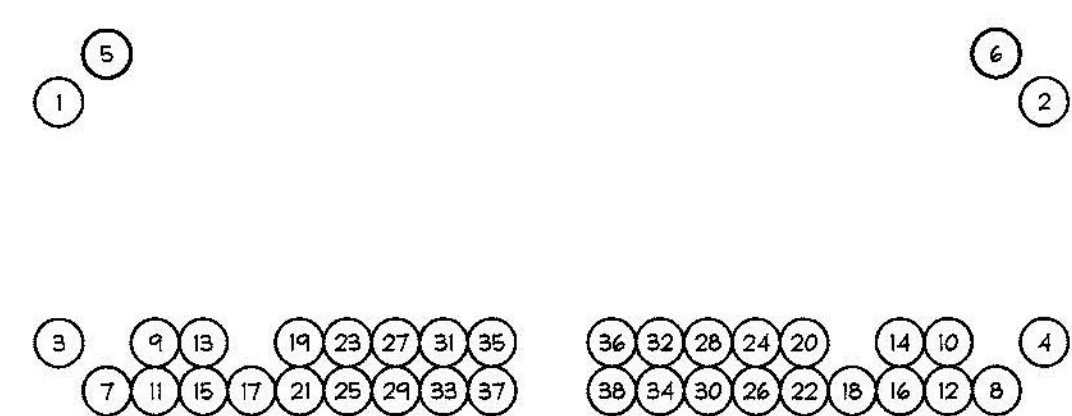
C DIAPHRAGM REINFORCING DETAILS
1/2" = 1'-0"



A REINFORCING SECTION
@ BEAM END
1" = 1'-0"



B REINFORCING SECTION
@ MID-SPAN
1" = 1'-0"



- DENOTATION STRANDS 1 THRU 4 BY CUTTING STRANDS AT BULKHEADS AND IN BETWEEN BEAMS.
- DENOTATION DRAPED STRANDS 5 AND 6 BY CUTTING STRANDS AT BULKHEADS AND IN BETWEEN BEAMS.
- RELEASE HOLD DOWN PINS BY CUTTING COIL ROD JUST ABOVE 'RABBIT'.
- DENOTATION STRANDS 7 THRU 38 (IN SEQUENCE) BY CUTTING STRANDS AT BULKHEADS AND IN BETWEEN BEAMS.
- CUTTING OF STRANDS IS ACCOMPLISHED BY GRADUALLY HEATING STRANDS AND THEN BURNING THROUGH THEM USING A TORCH.

DENOTIONS SCHEDULE
N.T.S.

SUBMITTAL REVIEW

Review is only for general conformity to the contract drawings and specifications and shall not relieve the contractor of his entire responsibility under the contract, including among other things, dimensions to be confirmed and correlated at the job site, and information that pertains to the fabrication processes or to techniques of construction.

NO EXCEPTIONS TAKEN
 MAKE CORRECTIONS NOTED
 RESUBMITTAL NOT REQUIRED
 AMEND AND RESUBMIT
 REJECTED - SEE REMARKS

BY: *Ray G. [Signature]*
 DATE: 5/12/2015

APPROVAL STAMP:
 5-11-15 REVISED AS NOTED
 4-27-15 GENERAL REVISIONS

MARK: L-BBI		QTY.: 6	
MATERIAL LIST / BOX BEAM			
ITEM	MARK	DESCRIPTION	QTY.
1	L-401D	#4 BENT BAR (LEVEL II, DUAL COATED)	84
2	L-402D	#4 HAIRPIN (LEVEL II, DUAL COATED)	164
3	L-403D	#4 BENT BAR (LEVEL II, DUAL COATED)	14
4	L-404D	#4 BENT BAR (LEVEL II, DUAL COATED)	112
5		#4 x 4'-5" (LEVEL II, DUAL COATED)	64
6			
7			
8			
9	L-502D	#5 BENT BAR (LEVEL II, DUAL COATED)	224
10	L-503D	#5 BENT BAR (LEVEL II, DUAL COATED)	36
11	L-504D	#5 BENT BAR (LEVEL II, DUAL COATED)	16
12		#5 x 123'-9" (LEVEL II, DUAL COATED) W/ (3) 3'-8" STAG. LAPS	7
13			
14			
15			

J.P. CARRARA & SONS INC.
 Precast & Prestress Manufacturer
 2464 CASE ST., WILKELLY, VERMONT 05753 Phone: (802)388-6361 Fax: (802)388-9010

J.A. McDONALD, INC.
 CONTRACTOR
 LYNDON CENTER, VERMONT

STATE OF VERMONT AGENCY OF TRANSPORTATION
 COUNTY OF ADDISON

TOWN OF LINCOLN
 TH 1 (RURAL MAJOR COLLECTOR) OVER NEW HAVEN RIVER
 BRIDGE NO.: 19 PROJECT NO.: BR1 0188 (8)

DATE: FEB 6, 2015
 SCALE: NOTED
 CHKD: M.W. DFTM: B.L.
 JOB NO: 29459-015
 DWG. NO: B1.1

PRESTRESSED BOX BEAM REINFORCING DETAILS