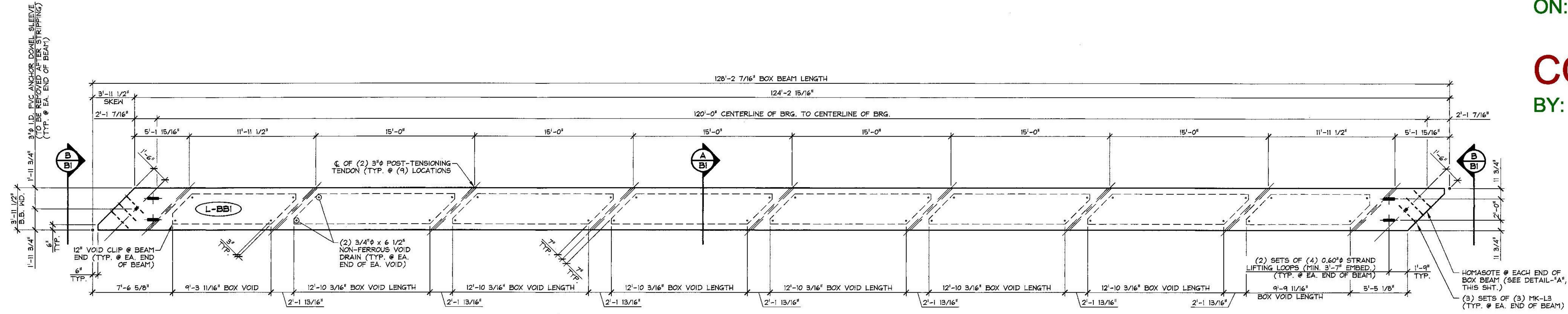
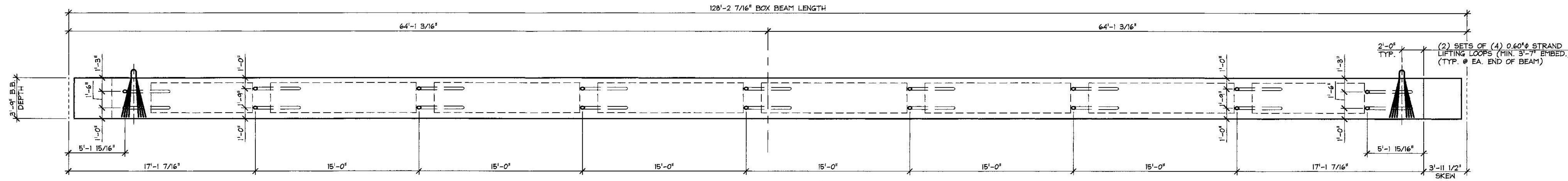


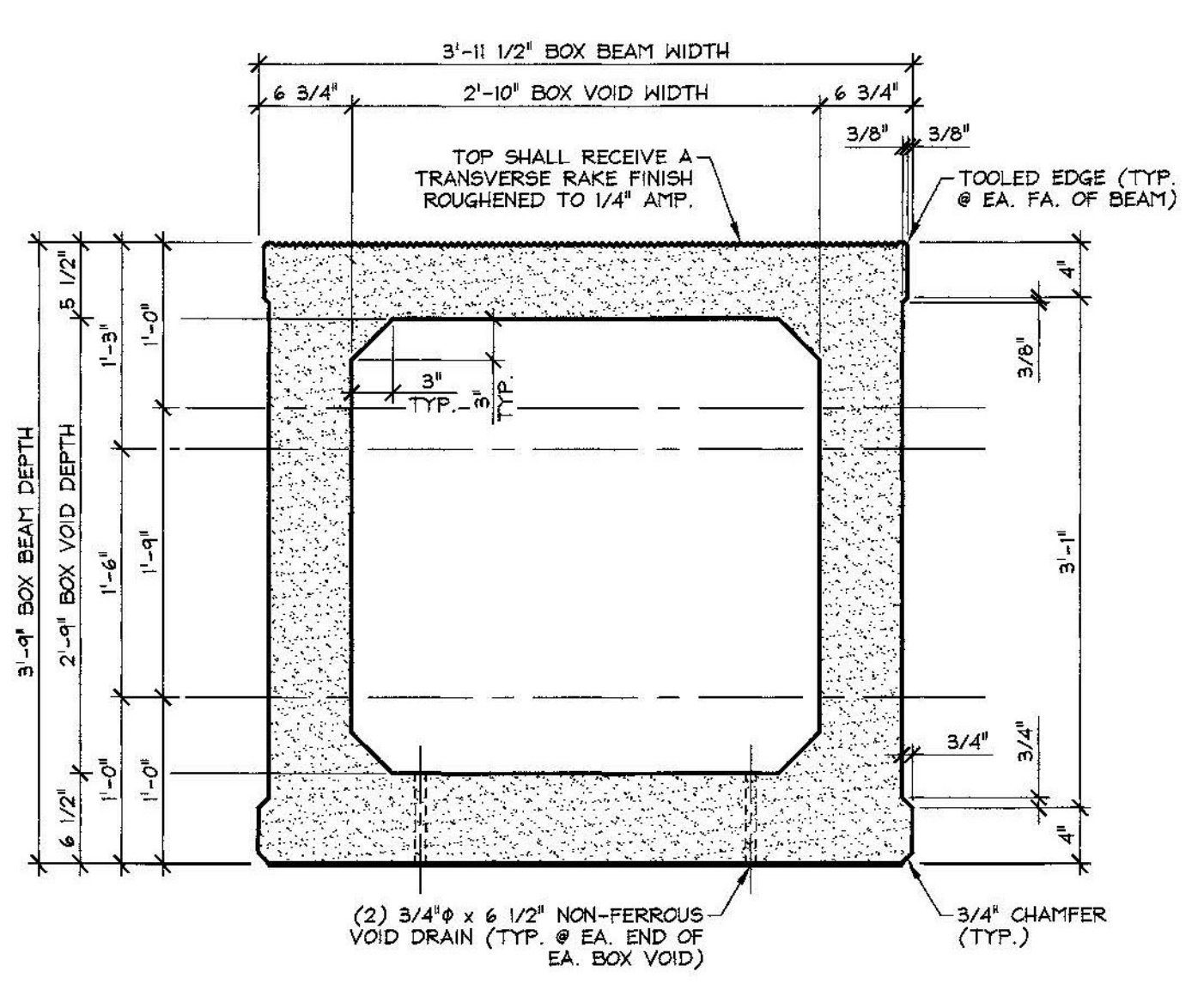
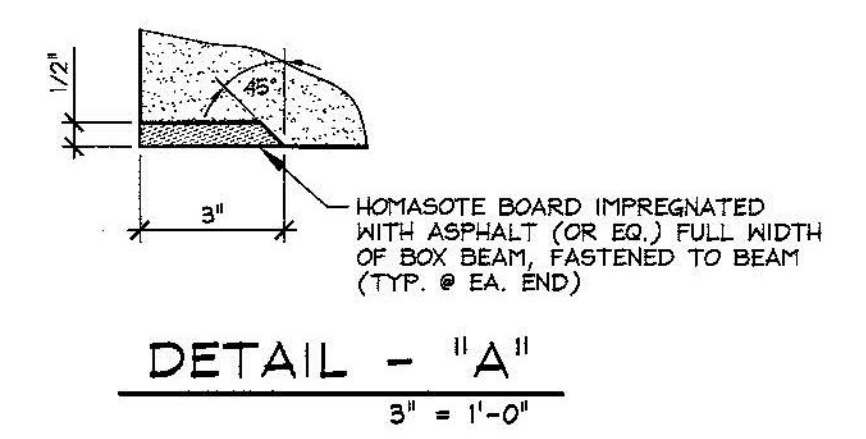
RECEIVED
 ON: **May 12, 2015**
 and Checked for
CONFORMANCE
 BY: **Todd A. Sumner** DATE: **05/13/2015**



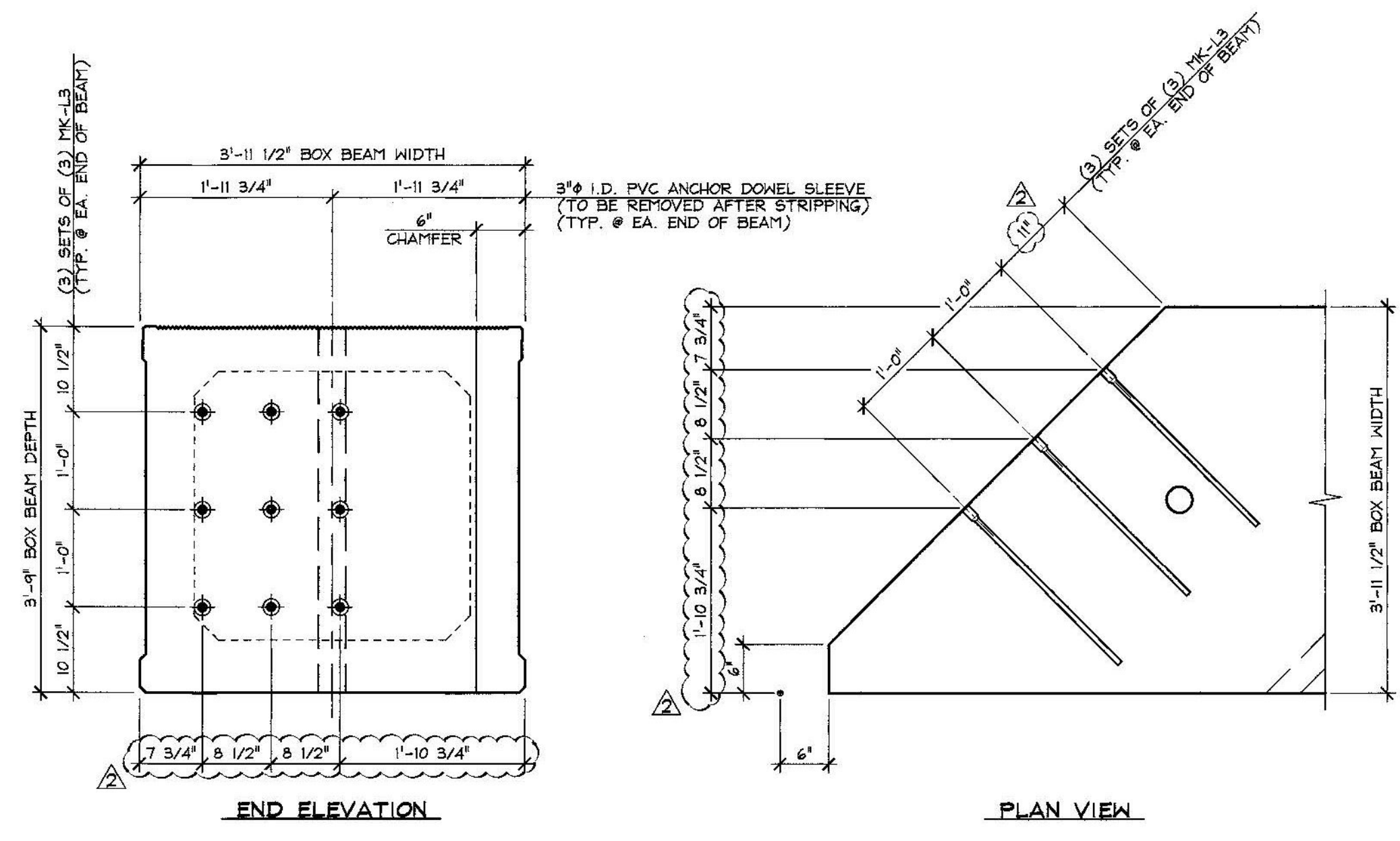
1 DIMENSIONAL PLAN VIEW IN FORM
 B1
 3/16" = 1'-0"



2 DIMENSIONAL ELEVATION
 B1
 3/16" = 1'-0"



A DIMENSIONAL SECTION
 B1
 1" = 1'-0"



B BEAM END DETAILS
 B1
 3/4" = 1'-0"

SUBMITTAL REVIEW
 Review is only for general conformity to the contract drawings and specifications and shall not relieve the contractor of his entire responsibility under the contract, including among other things, dimensions to be confirmed and correlated at the job site, and information that pertains to the fabrication processes or to techniques of construction.

NO EXCEPTIONS TAKEN
 MAKE CORRECTIONS NOTED
 RESUBMITTAL NOT REQUIRED
 AMEND AND RESUBMIT
 REJECTED - SEE REMARKS

PB AMERICAS, INC.
 BY: *Ryan L. [Signature]*
 DATE: 5/12/2015

SHOP NOTE:
 f'c = 8,000 PSI
 f'ci = 6,000 PSI
 MIX #426M (NO DCI)

MATERIAL LIST / BOX BEAM			
MARK	QTY.	WT.	VOL.
MARK: L-BBI	6	76.64 T	37.84 cy
ITEM	MARK	DESCRIPTION	QTY.
1			
2			
3	MK-L3	DAYTON #5 x 2'-3" D-101-A STRAIGHT DONEL BAR SPLICER (STAINLESS STEEL CLAD)	18
4			
5			
6		3/4" x 6 1/2" NON-FERROUS VOID DRAIN	32
7		2'-10" x 2'-9" x 9'-9 1/16" BOX VOID	2
8		2'-10" x 2'-9" x 12'-10 3/16" BOX VOID	6
9		SET OF (4) 0.60" STRAND LIFTING LOOPS	4
10			

5-11-15 REVISED AS NOTED
 4-27-15 GENERAL REVISIONS

APPROVAL STAMP:	J.P. CARRARA & SONS INC. Precast & Prestress Manufacturer 284 CASE ST., MIDDLEBURY, VERMONT 05753 Phone: (802)388-8361 Fax: (802)388-9010	J.A. McDONALD, INC. CONTRACTOR LYNDON CENTER, VERMONT
	STATE OF VERMONT AGENCY OF TRANSPORTATION COUNTY OF ADDISON	DATE: FEB. 6, 2015 SCALE: NOTED
	TOWN OF LINCOLN TH 1 (RURAL MAJOR COLLECTOR) OVER NEW HAVEN RIVER BRIDGE NO.: 19 PROJECT NO.: BRP 0188 (8)	CHKD: M.W. DFTM: B.L. JOB NO: 23459-015
	PRESTRESSED BOX BEAM DIMENSIONAL DETAILS	DWG. NO: B1