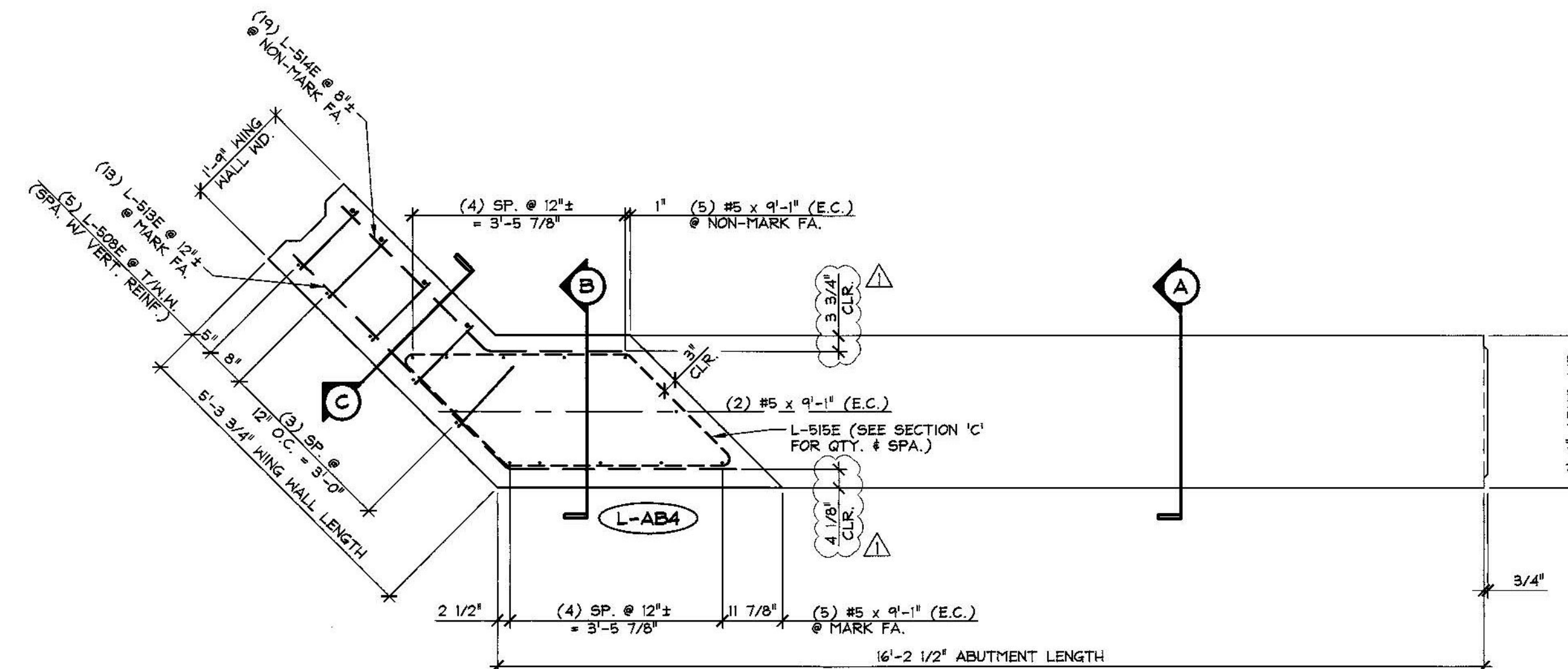
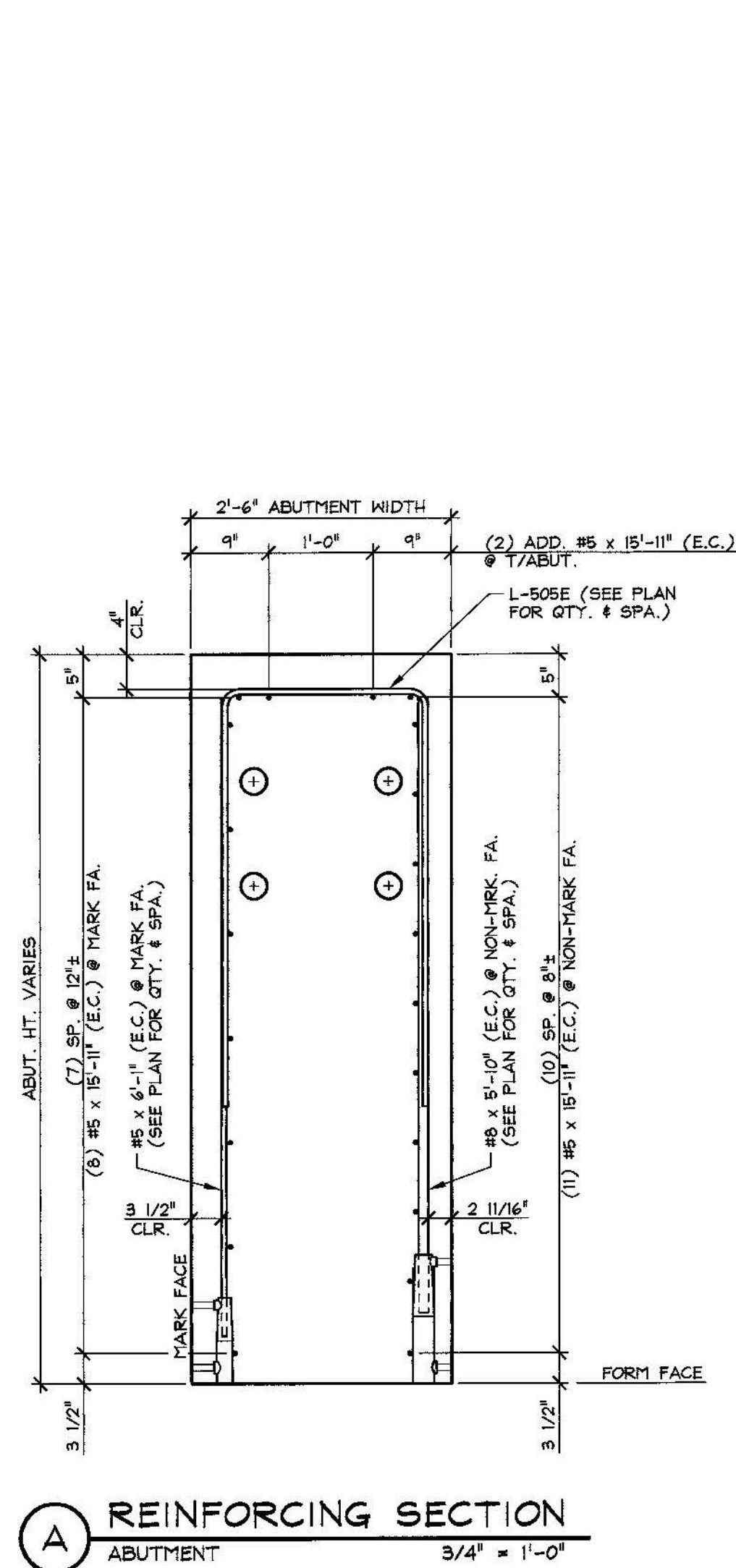


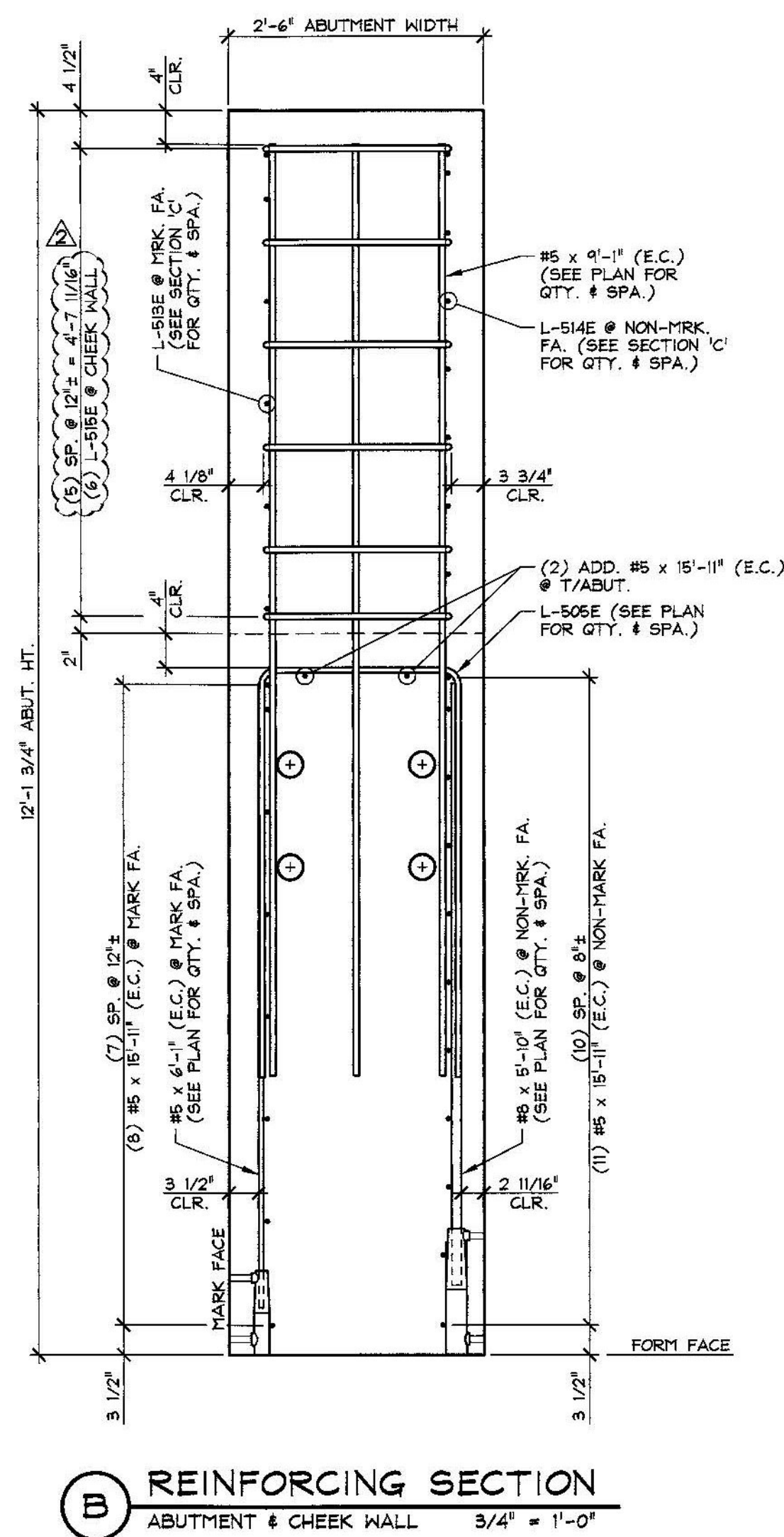
REINFORCING PLAN VIEW IN FORM
ABUTMENT & WING WALL
1/2" = 1'-0"



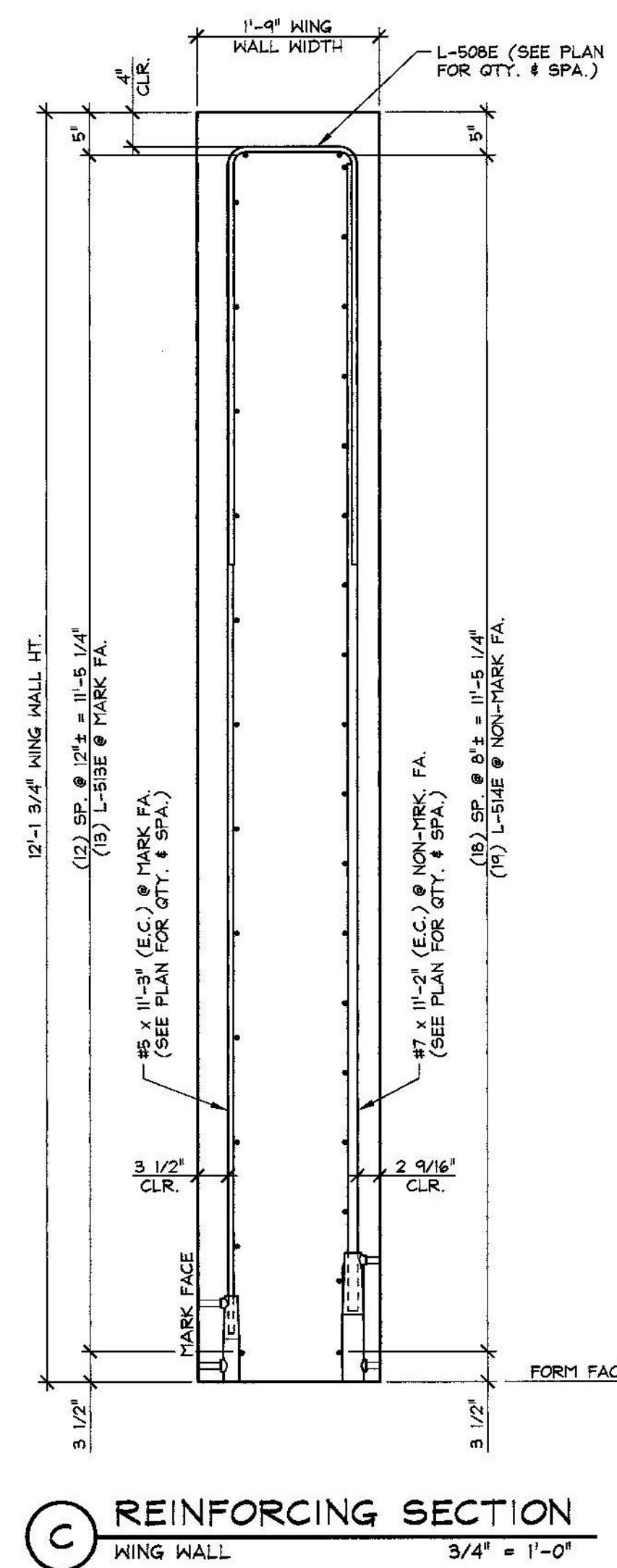
REINFORCING PLAN VIEW IN FORM
CHEEK WALL & WING WALL
1/2" = 1'-0"



REINFORCING SECTION
A ABUTMENT
3/4" = 1'-0"



REINFORCING SECTION
B ABUTMENT & CHEEK WALL
3/4" = 1'-0"



REINFORCING SECTION
C WING WALL
3/4" = 1'-0"

SUBMITTAL REVIEW
Review is only for general conformity to the contract drawings and specifications and shall not relieve the contractor of his entire responsibility under the contract, including among other things, dimensions to be confirmed and correlated at the job site, and information that pertains to the fabrication processes or to techniques of construction.
 NO EXCEPTIONS TAKEN
 MAKE CORRECTIONS NOTED
 RESUBMITTAL NOT REQUIRED
 AMEND AND RESUBMIT
 REJECTED - SEE REMARKS
BY: *Ray L. [Signature]*
DATE: *5/12/2015*

5-11-15 REVISED AS NOTED
4-27-15 GENERAL REVISIONS

Vermont Agency of Transportation

RECEIVED

ON: **May 12, 2015**

and Checked for

CONFORMANCE

BY: **Todd A. Sumner** DATE: **05/13/2015**

MARK: L-AB4		QTY.: 1	
MATERIAL LIST / ABUTMENT			
ITEM	MARK	DESCRIPTION	QTY.
1	L-505E	#5 BENT BAR (LEVEL 1, EPOXY COATED)	17
2	L-505E	#5 BENT BAR (LEVEL 1, EPOXY COATED)	5
3	L-514E	#5 BENT BAR (LEVEL 1, EPOXY COATED)	18
4	L-514E	#5 BENT BAR (LEVEL 1, EPOXY COATED)	19
5	L-515E	#5 BENT BAR (LEVEL 1, EPOXY COATED)	6
6		#5 x 15'-11" (LEVEL 1, EPOXY COATED)	21
7		#5 x 6'-1" (LEVEL 1, EPOXY COATED)	17
8		#5 x 11'-3" (LEVEL 1, EPOXY COATED)	5
9		#5 x 9'-1" (LEVEL 1, EPOXY COATED)	12
10			
11		#7 x 11'-2" (LEVEL 1, EPOXY COATED)	4
12			
13		#8 x 5'-10" (LEVEL 1, EPOXY COATED)	17
14			
15			

APPROVAL STAMP:

J.P. CARRARA & SONS INC.
Precast & Prestress Manufacturer
2464 CASE STR., MIDDLEBURY, VERMONT 05753 Phone: (802)388-6361 Fax: (802)388-9010

J.A. McDONALD, INC.
CONTRACTOR
LYNDON CENTER, VERMONT

STATE OF VERMONT AGENCY OF TRANSPORTATION
COUNTY OF ADDISON

DATE: FEB. 6, 2015
SCALE: NOTED

TOWN OF LINCOLN
TH 1 (RURAL MAJOR COLLECTOR) OVER NEW HAVEN RIVER
BRIDGE NO.: 19 PROJECT NO.: BRP 0188 (B)

CHKD: M.J.W. DFTM: B.L.
JOB NO: 23459-015

PRECAST ABUTMENT REINFORCING DETAILS
DWG. NO: **AB4.1**