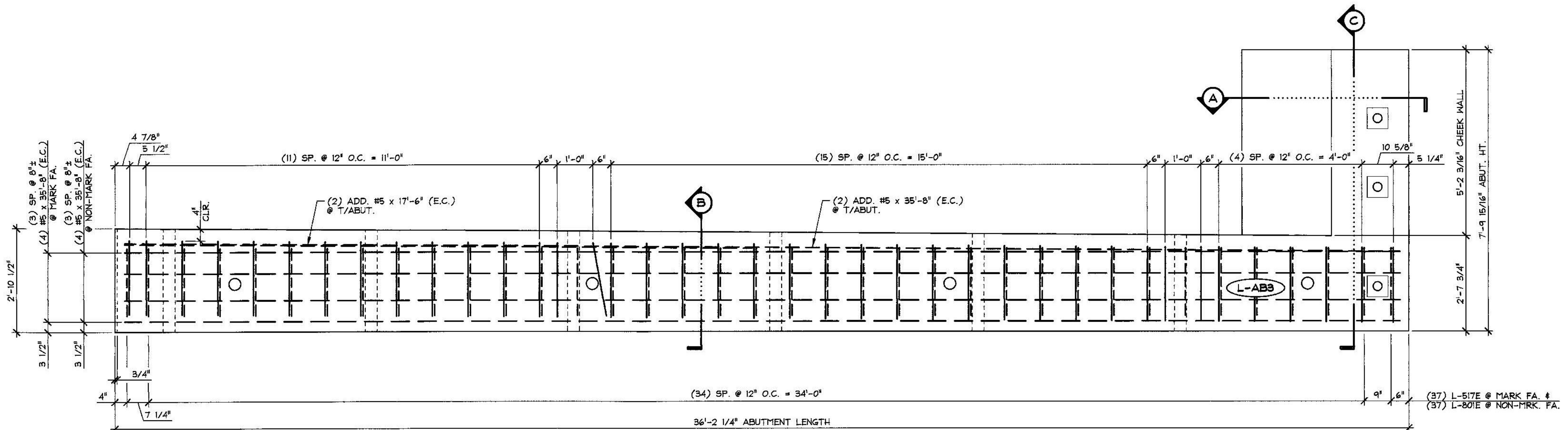
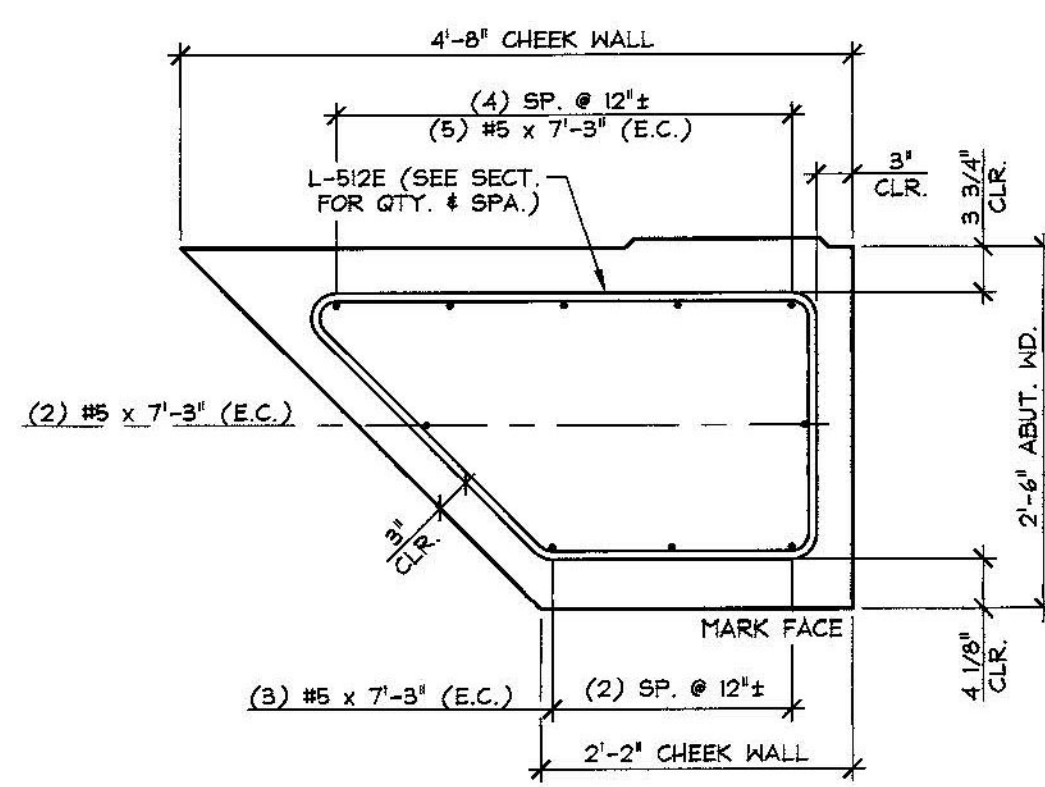


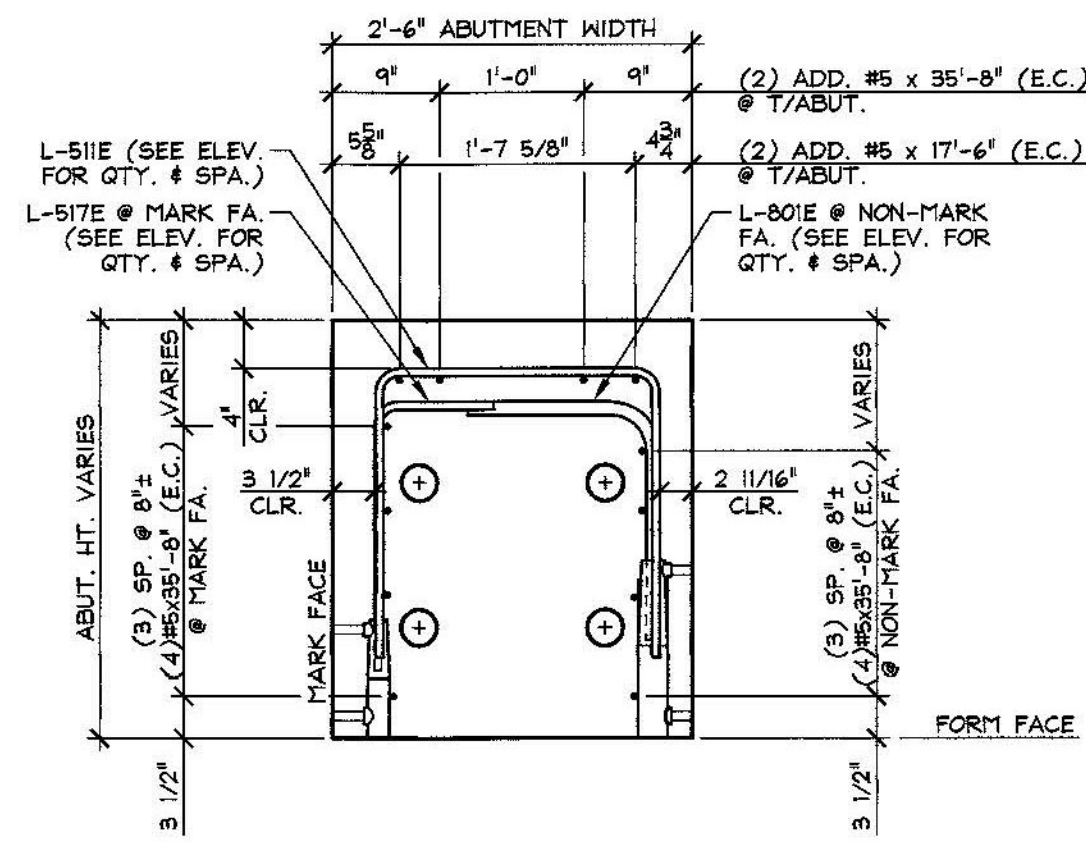
REINFORCING PLAN VIEW IN FORM
1/2" = 1'-0"



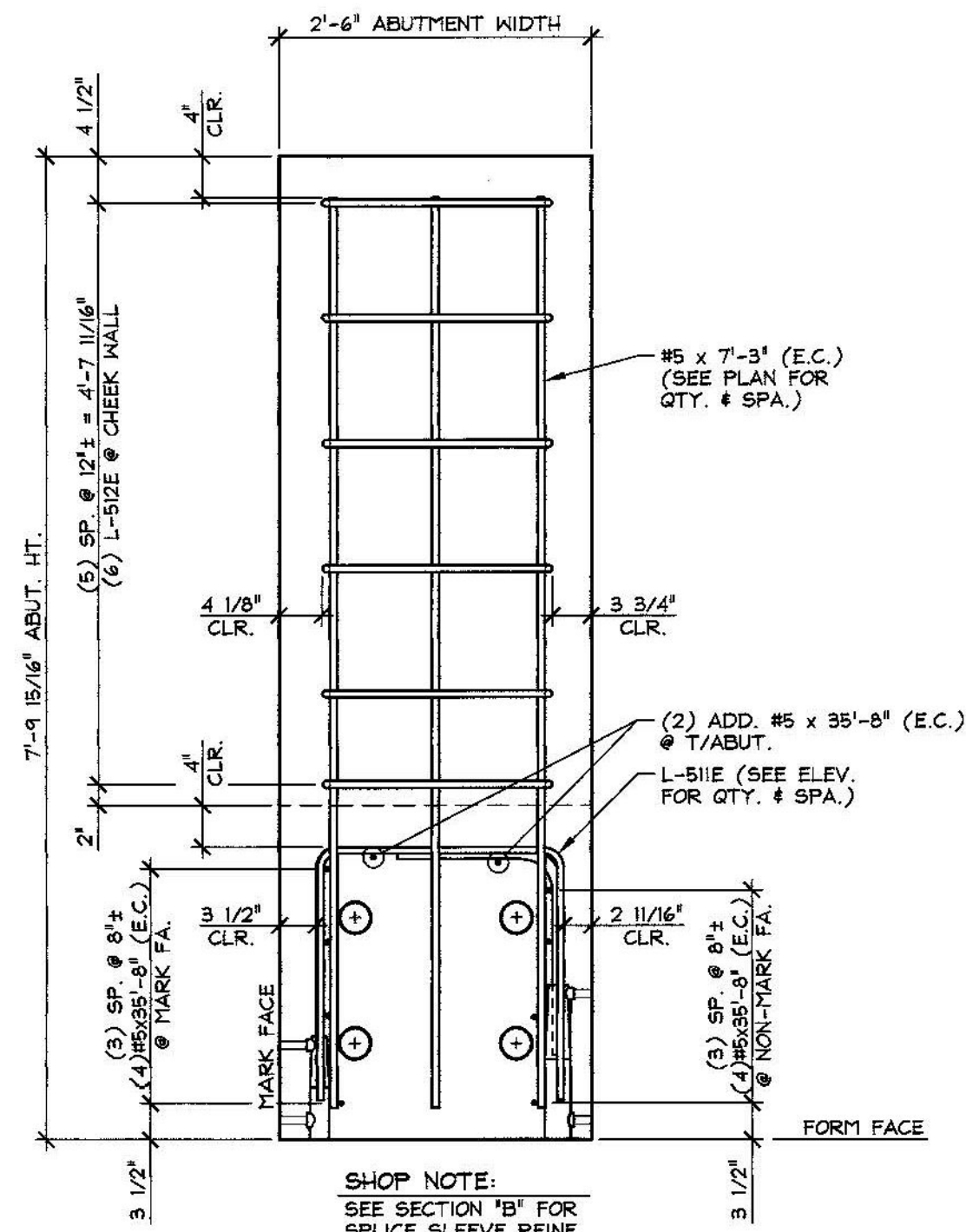
MARK FACE REINFORCING ELEVATION
1/2" = 1'-0"



A CHEEK WALL REINF. PLAN
3/4" = 1'-0"



B REINFORCING SECTION
3/4" = 1'-0"



C REINFORCING SECTION
3/4" = 1'-0"

SUBMITTAL REVIEW
Review is only for general conformity to the contract drawings and specifications and shall not relieve the contractor of his entire responsibility under the contract, including among other things, dimensions to be confirmed and correlated at the job site, and information that pertains to the fabrication processes or to techniques of construction.

NO EXCEPTIONS TAKEN
 MAKE CORRECTIONS NOTED
 RESUBMITTAL NOT REQUIRED
 AMEND AND RESUBMIT
 REJECTED - SEE REMARKS

BY: *Ray & Sons*
DATE: 5/12/2015

4-27-15 GENERAL REVISIONS

Vermont Agency of Transportation

RECEIVED

ON: **May 12, 2015**

and Checked for

CONFORMANCE

BY: **Todd A. Sumner** DATE: **05/13/2015**

MATERIAL LIST / ABUTMENT			
ITEM	MARK	DESCRIPTION	QTY.
1	L-511E	#5 BENT BAR (LEVEL 1, EPOXY COATED)	39
2	L-512E	#5 BENT BAR (LEVEL 1, EPOXY COATED)	6
3	L-517E	#5 BENT BAR (LEVEL 1, EPOXY COATED)	37
4		#5 x 35'-8" (LEVEL 1, EPOXY COATED)	10
5		#5 x 7'-3" (LEVEL 1, EPOXY COATED)	10
6		#5 x 17'-6" (LEVEL 1, EPOXY COATED)	2
7			
8	L-801E	#8 BENT BAR (LEVEL 1, EPOXY COATED)	37
9			
10			

APPROVAL STAMP:

J.P. CARRARA & SONS INC. Precast & Prestress Manufacturer 2464 GAGE ST., MIDDLEBURY, VERMONT 05753 Phone: (802)388-6351 Fax: (802)388-9010		J.A. McDONALD, INC. CONTRACTOR LYNDON CENTER, VERMONT	
STATE OF VERMONT AGENCY OF TRANSPORTATION COUNTY OF ADDISON		DATE: FEB. 6, 2015	
TOWN OF LINCOLN TH 1 (RURAL MAJOR COLLECTOR) OVER NEW HAVEN RIVER BRIDGE NO.: 19 PROJECT NO.: BRP 0188 (8)		SCALE: NOTED	
PRECAST ABUTMENT REINFORCING DETAILS		CHKD: M.W. DFTM: B.L. JOB NO: 23459-015	
		DWG. NO: AB3.1	