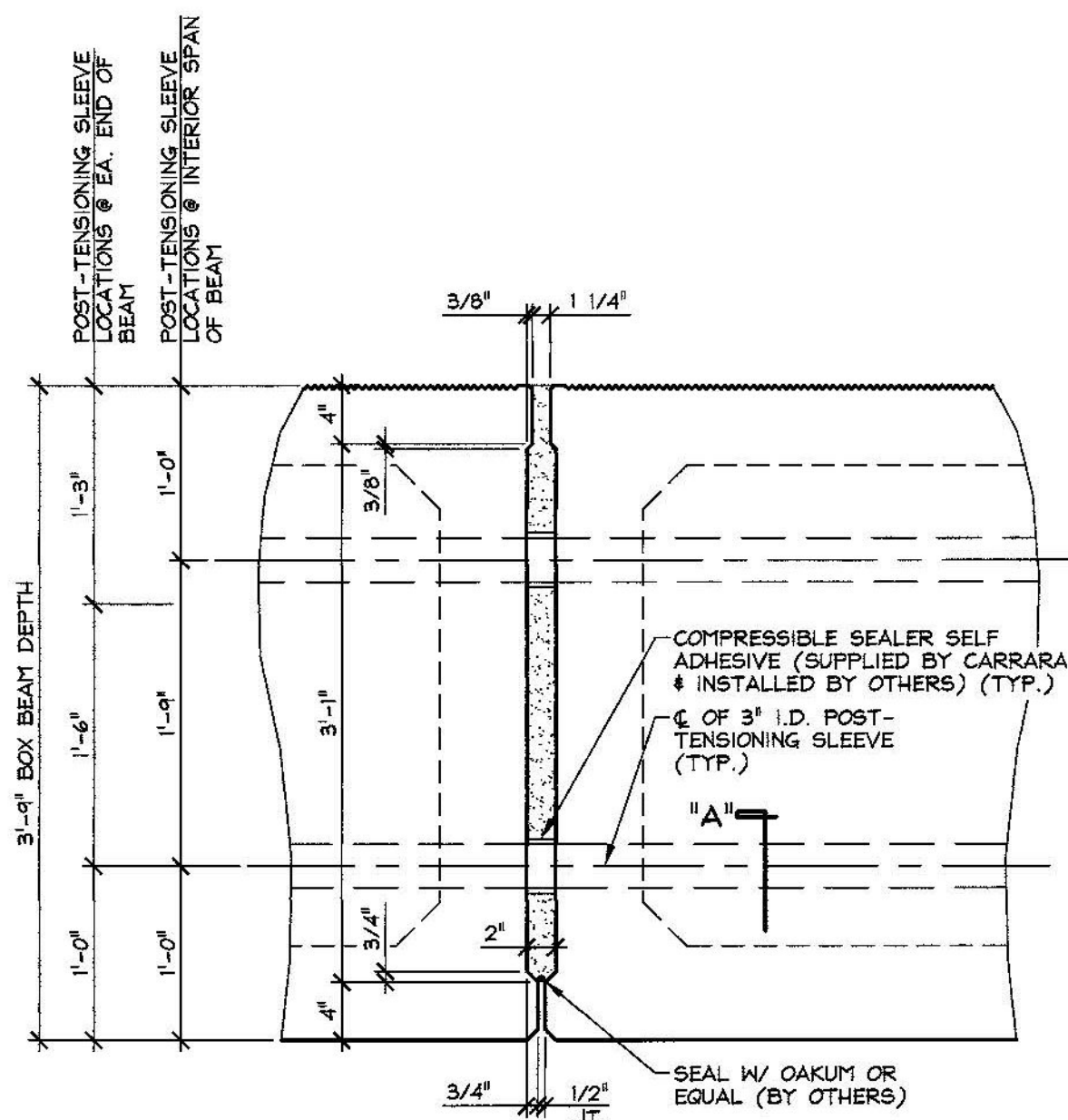
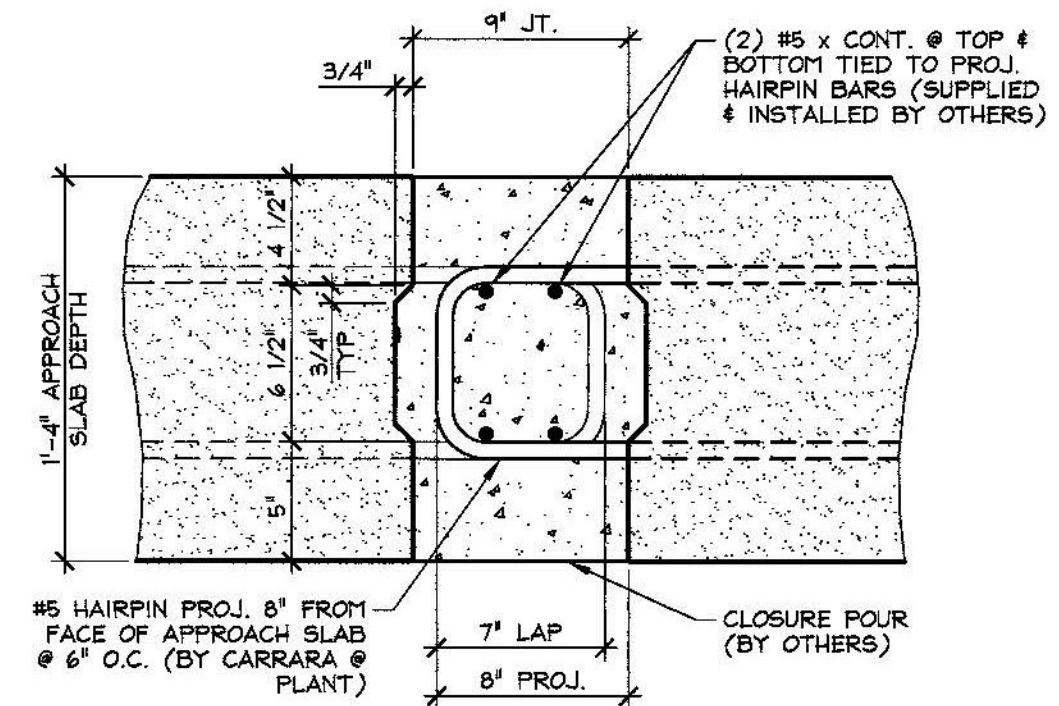


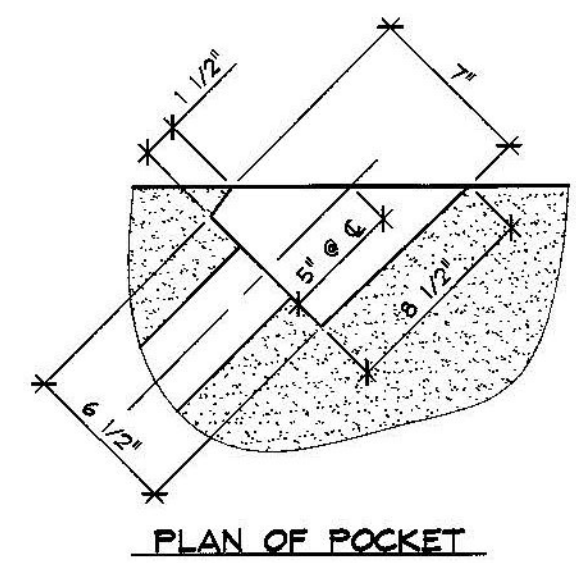
A BEARING SECTION
 FB 3/4" = 1'-0"



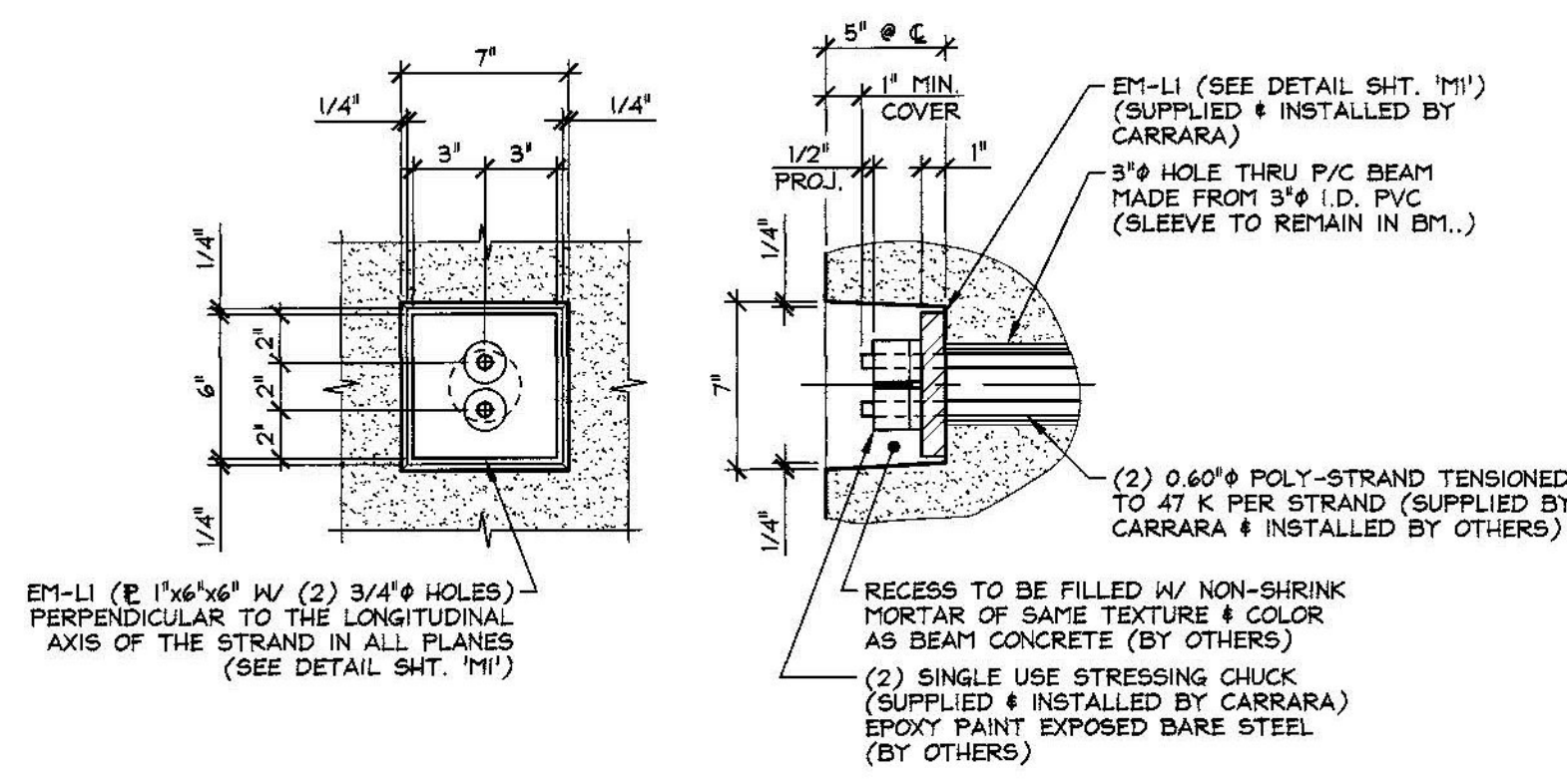
B SHEAR KEY SECTION @ P.T. SLEEVE
 FB 1" = 1'-0"



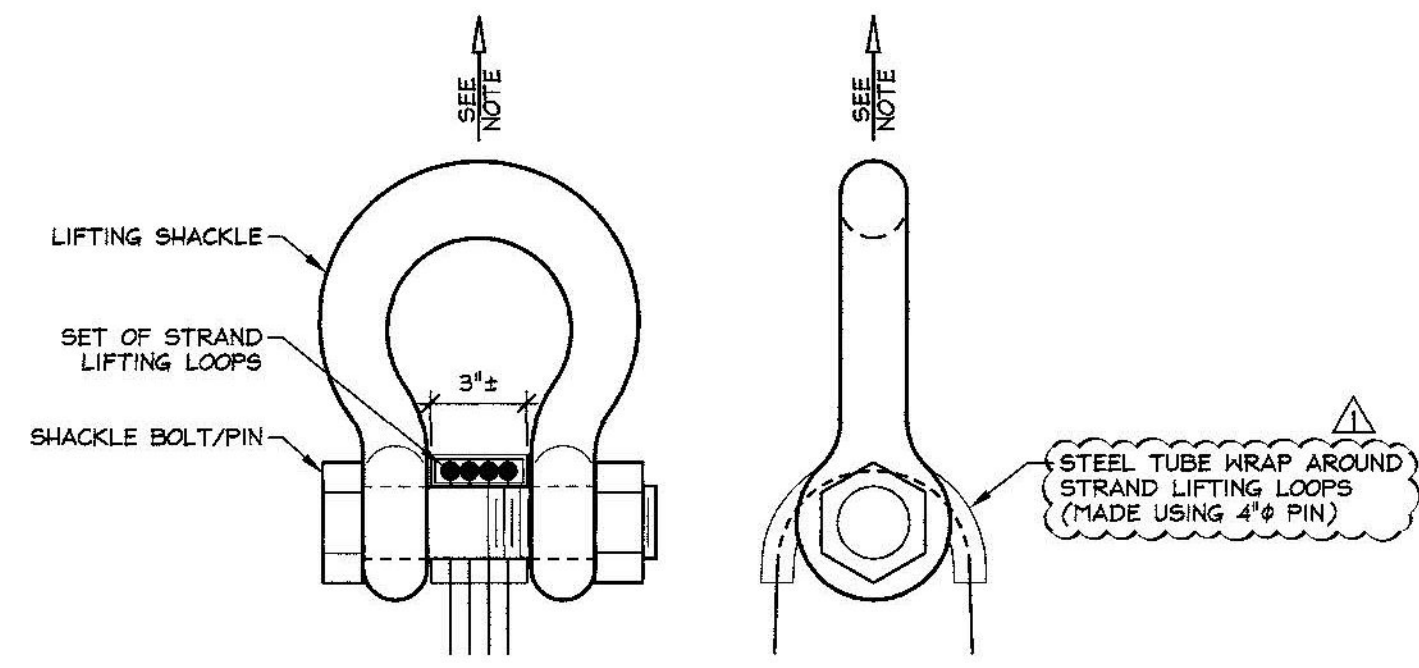
C SHEAR KEY SECTION @ APPROACH SLABS
 FB 1 1/2" = 1'-0"



PLAN OF POCKET



DETAIL - 'C'
 1 1/2" = 1'-0"



NOTE: BEAMS SHALL BE HANDLED AND ERECTED USING THE LIFTING LOOPS ONLY. RIGGING SHALL BE CONFIGURED SUCH THAT EQUAL FORCES ARE APPLIED TO EACH SET OF LIFTING LOOPS AT EACH END OF THE SLAB. SHACKLE BOLT/PIN SHALL BE PLACED UNDER LIFT LOOPS AS SHOWN. DESIGN AND CONFIGURATION OF RIGGING BY PURCHASER.

LIFTING SHACKLE DETAILS
 N.T.S.

SUBMITTAL REVIEW	
Review is only for general conformity to the contract drawings and specifications and shall not relieve the contractor of his entire responsibility under the contract, including among other things, dimensions to be confirmed and correlated at the job site, and information that pertains to the fabrication processes or to techniques of construction.	
<input checked="" type="checkbox"/>	NO EXCEPTIONS TAKEN
<input type="checkbox"/>	MAKE CORRECTIONS NOTED
<input type="checkbox"/>	RESUBMITTAL NOT REQUIRED
<input type="checkbox"/>	AMEND AND RESUBMIT
<input type="checkbox"/>	REJECTED - SEE REMARKS
BY: <i>Ray L. Johnson</i>	
DATE: 5/12/2015	

4-27-15 REVISED AS NOTED

APPROVAL STAMP:	J.P. CARRARA & SONS INC. Precast & Prestress Manufacturer 244 GSE ST., MIDDLEBURY, VERMONT 05751 Phone: (802)388-6361 Fax: (802)388-8010	J.A. McDONALD, INC. CONTRACTOR LYNDON CENTER, VERMONT
	STATE OF VERMONT AGENCY OF TRANSPORTATION COUNTY OF ADDISON	DATE: FEB. 6, 2015 SCALE: NOTED
	TOWN OF LINCOLN TH 1 (RURAL MAJOR COLLECTOR) OVER NEW HAVEN RIVER BRIDGE NO.: 19 PROJECT NO.: BRP 0188 (8)	CHKD: M.W. DFTM: B.L. JOB NO: 23459-015
	PRESTRESSED BOX BEAM SECTIONS & DETAILS	DWG. NO: F8

Vermont Agency of Transportation
RECEIVED
 ON: **May 12, 2015**
 and Checked for
CONFORMANCE
 BY: **Todd A. Sumner** DATE: **05/13/2015**