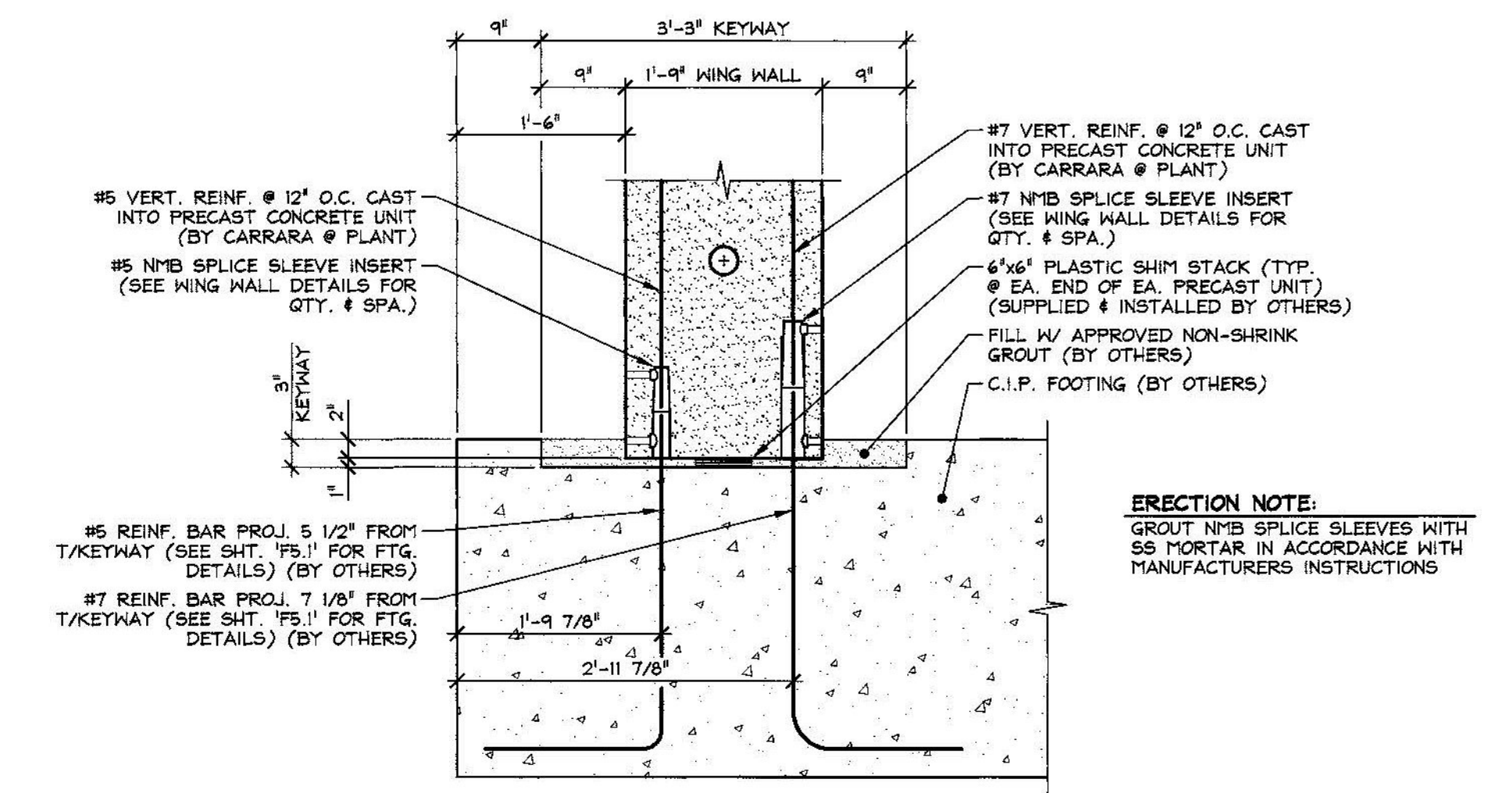
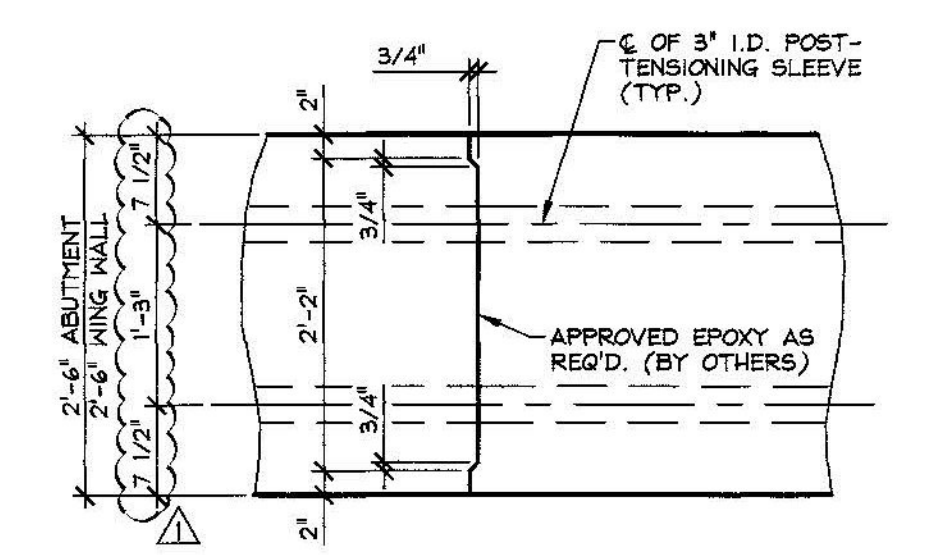


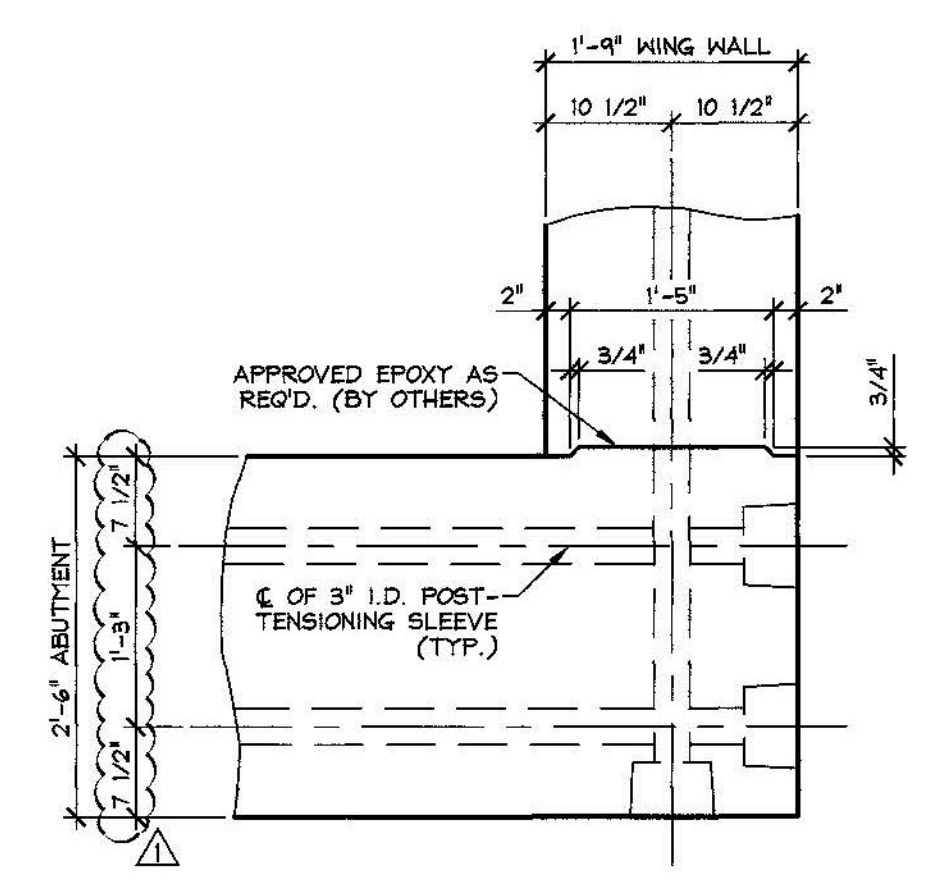
A STEM JOINT SECTION
F5
3/4" = 1'-0"



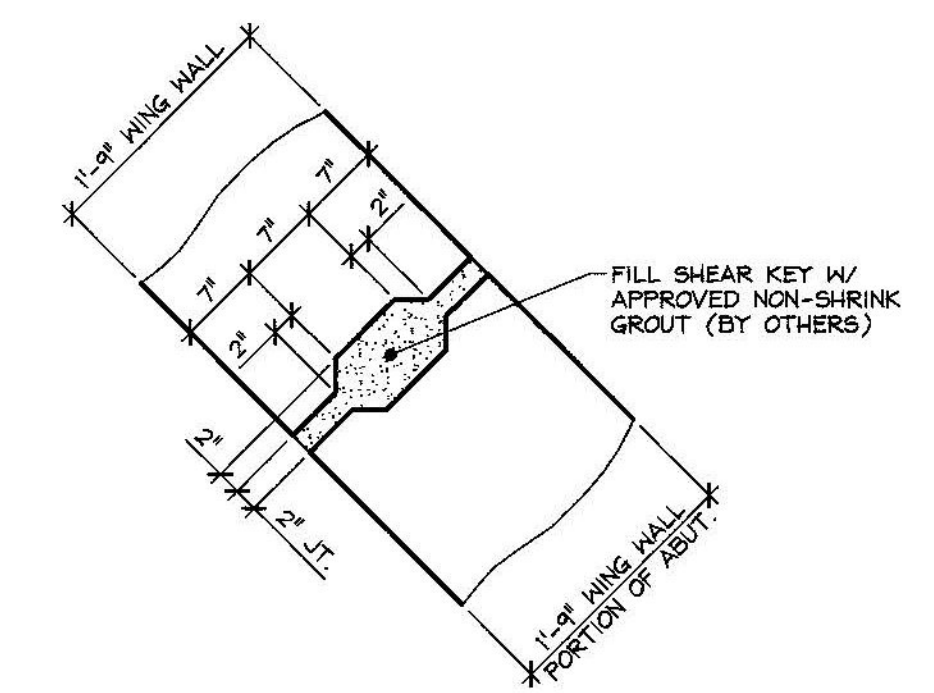
B STEM JOINT SECTION
F5
3/4" = 1'-0"



C MATCH CAST SECTION @
F5 P.T. SLEEVE
3/4" = 1'-0"



D MATCH CAST SECTION @
F5 P.T. SLEEVE
3/4" = 1'-0"



E SHEAR KEY SECTION @
F5 WING WALL
3/4" = 1'-0"

SUBMITTAL REVIEW	
Review is only for general conformity to the contract drawings and specifications and shall not relieve the contractor of his entire responsibility under the contract, including among other things, dimensions to be confirmed and correlated at the job site, and information that pertains to the fabrication processes or to techniques of construction.	
<input checked="" type="checkbox"/>	NO EXCEPTIONS TAKEN
<input type="checkbox"/>	MAKE CORRECTIONS NOTED
<input type="checkbox"/>	RESUBMITTAL NOT REQUIRED
<input type="checkbox"/>	AMEND AND RESUBMIT
<input type="checkbox"/>	REJECTED - SEE REMARKS
BY: <i>[Signature]</i> PB AMERICAS, INC.	
DATE: 3/12/2015	

Vermont Agency of Transportation
RECEIVED
 ON: May 12, 2015
 and Checked for
CONFORMANCE
 BY: Todd A. Sumner DATE: 05/13/2015

4-27-15 REVISED AS NOTED

APPROVAL STAMP:	J.P. CARRARA & SONS INC. Precast & Prestress Manufacturer 2464 GALE ST., WOODSTOCK, VERMONT 05733 Phone: (802) 388-6361 Fax: (802) 388-9010		J.A. McDONALD, INC. CONTRACTOR LYNDON CENTER, VERMONT	
	STATE OF VERMONT AGENCY OF TRANSPORTATION COUNTY OF ADDISON		DATE: FEB. 6, 2015	SCALE: NOTED
	TOWN OF LINCOLN TH 1 (RURAL MAJOR COLLECTOR) OVER NEW HAVEN RIVER BRIDGE NO.: 19 PROJECT NO.: BRF 0188 (8)		CHKD: M.W. DFTM: B.L.	JOB NO: 23459-015
	ABUTMENT DETAILS		DWG. NO:	F5