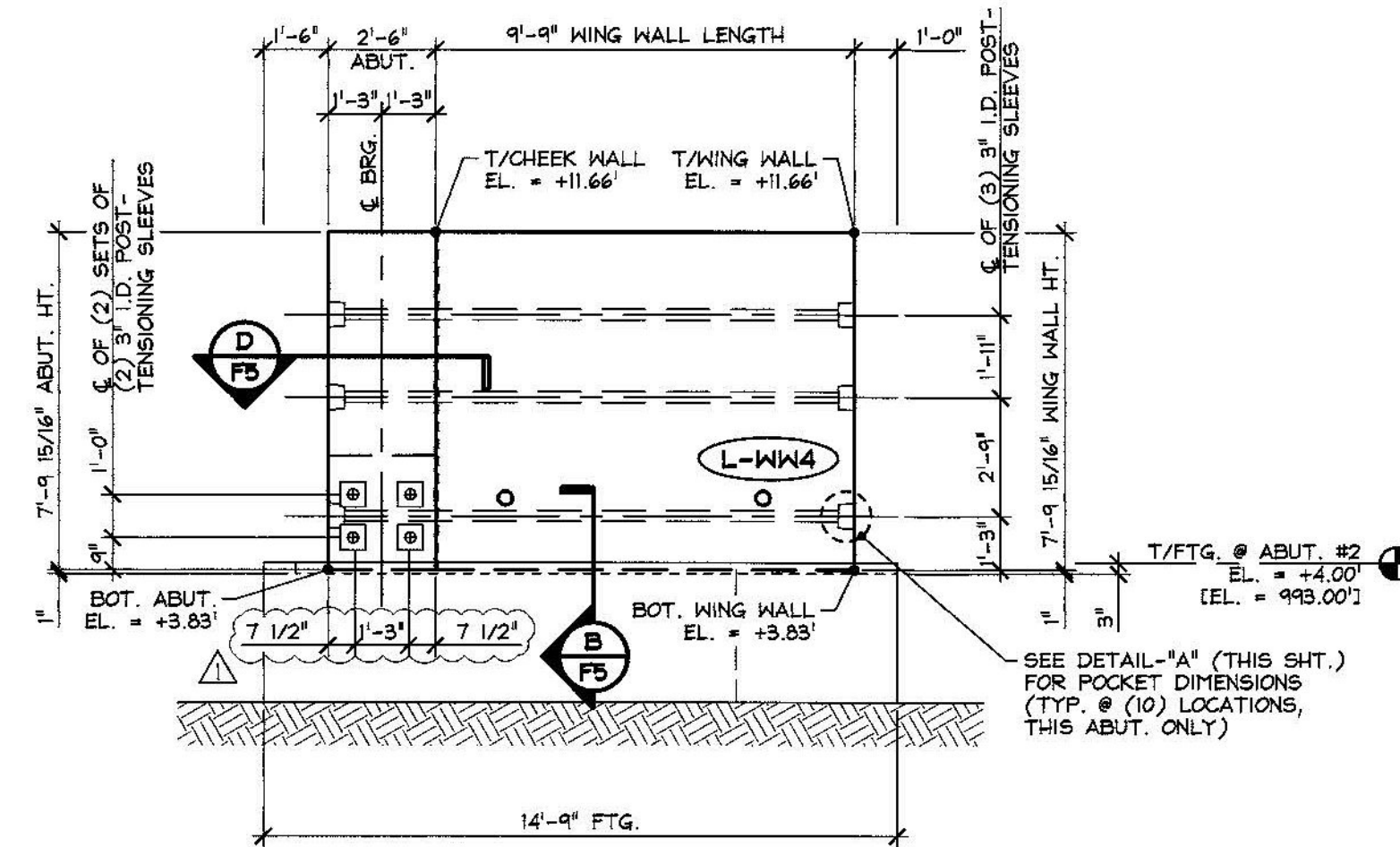
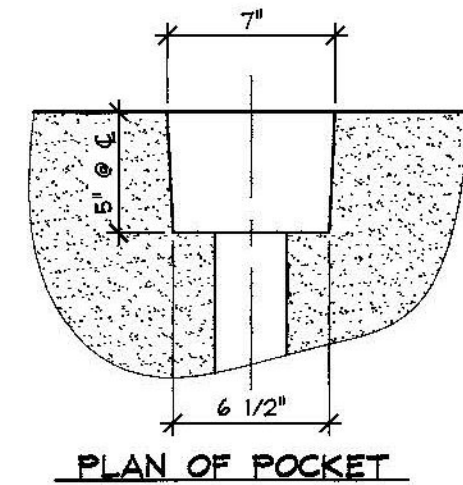


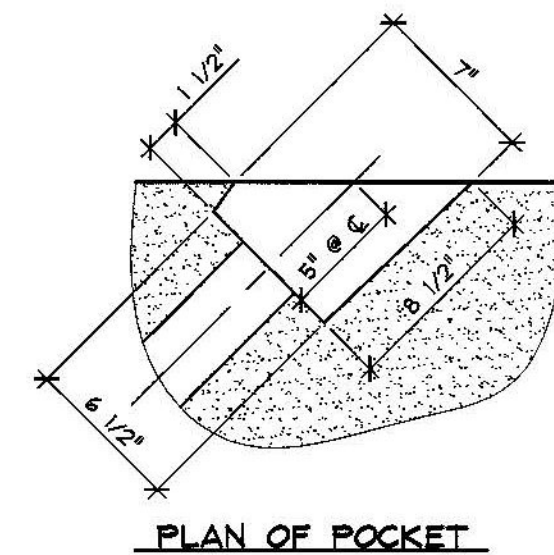
1 WING WALL #3 EAST ELEVATION
F4 1/4" = 1'-0"



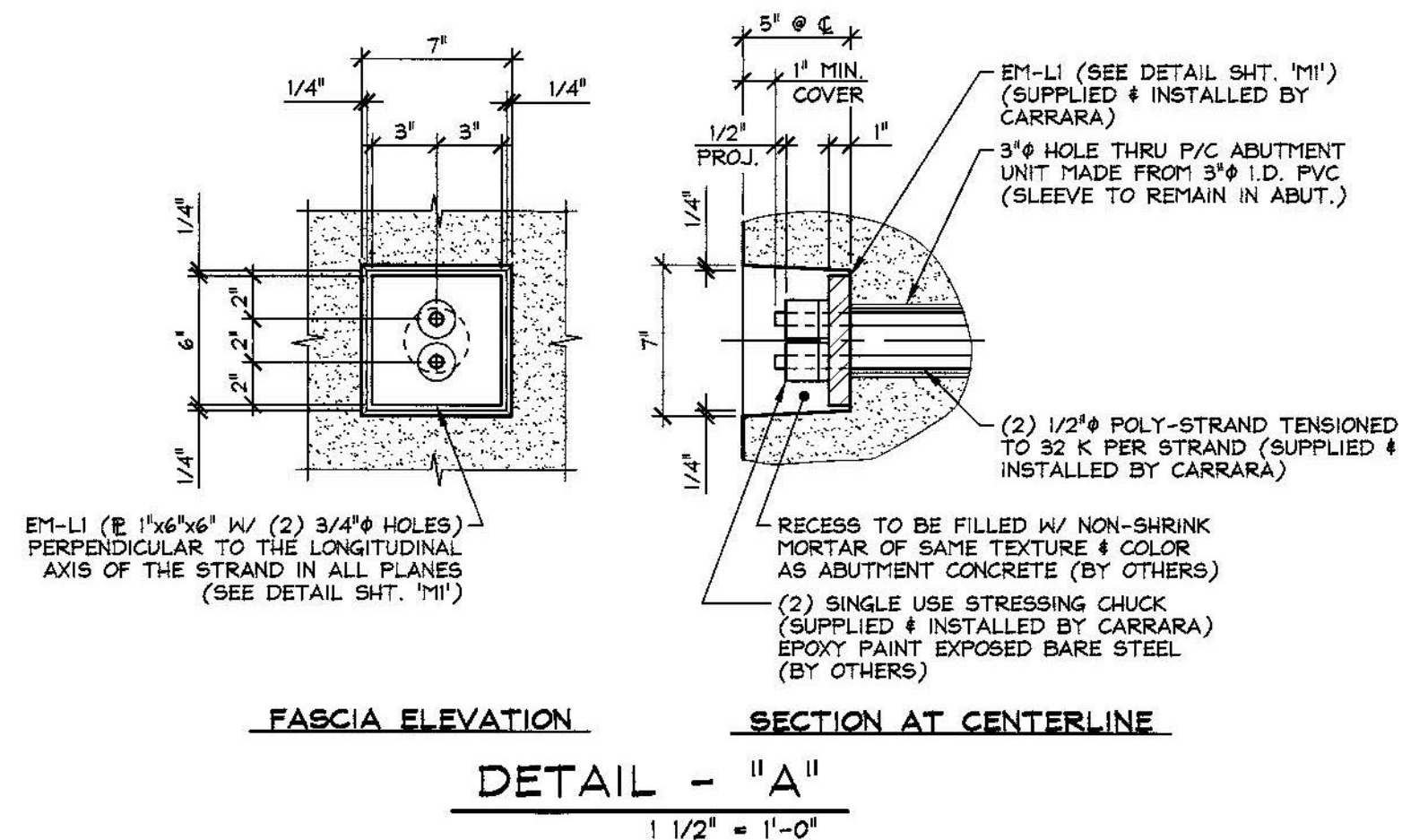
2 WING WALL #4 WEST ELEVATION
F4 1/4" = 1'-0"



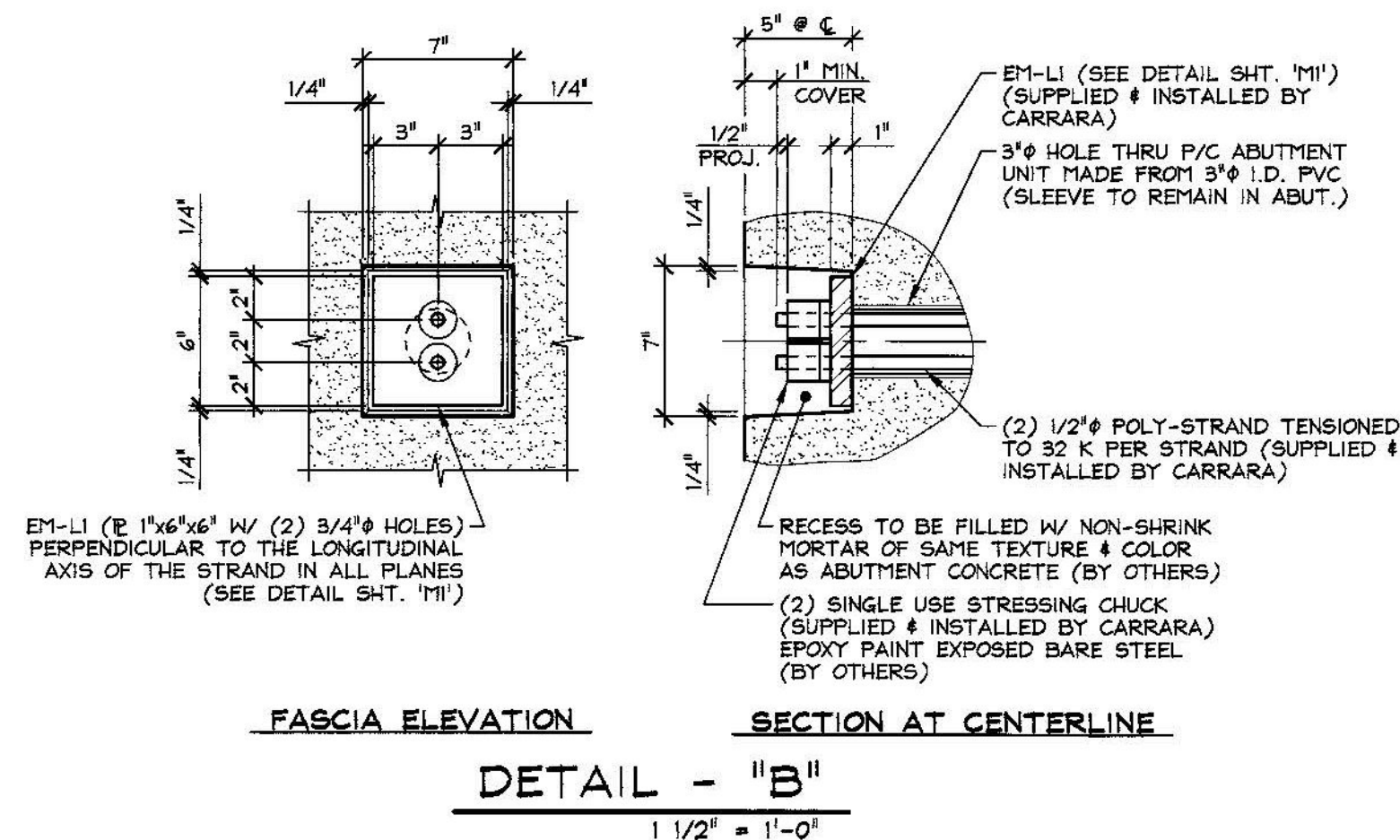
PLAN OF POCKET



PLAN OF POCKET



DETAIL - "A"
1 1/2" = 1'-0"



DETAIL - "B"
1 1/2" = 1'-0"

SUBMITTAL REVIEW	
Review is only for general conformity to the contract drawings and specifications and shall not relieve the contractor of his entire responsibility under the contract, including among other things, dimensions to be confirmed and correlated at the job site, and information that pertains to the fabrication processes or to techniques of construction.	
<input checked="" type="checkbox"/>	NO EXCEPTIONS TAKEN
<input type="checkbox"/>	MAKE CORRECTIONS NOTED
<input type="checkbox"/>	RESUBMITTAL NOT REQUIRED
<input type="checkbox"/>	AMEND AND RESUBMIT
<input type="checkbox"/>	REJECTED - SEE REMARKS
By: <i>JPB AMERICAS, INC.</i>	
DATE: <i>5/12/2015</i>	

Vermont Agency of Transportation

RECEIVED

ON: **May 12, 2015**

and Checked for

CONFORMANCE

BY: **Todd A. Sumner** DATE: **05/13/2015**

5-11-15 REVISED AS NOTED
4-27-15 REVISED AS NOTED

APPROVAL STAMP:	J.P. CARRARA & SONS INC. Precast & Prestress Manufacturer 2484 CASE STR., MADISONVILLE, VERMONT 05753 Phone: (802)388-6361 Fax: (802)388-9010		J.A. McDONALD, INC. CONTRACTOR LYNDON CENTER, VERMONT	
	STATE OF VERMONT AGENCY OF TRANSPORTATION COUNTY OF ADDISON		DATE: FEB. 6, 2015	SCALE: NOTED
	TOWN OF LINCOLN TH 1 (RURAL MAJOR COLLECTOR) OVER NEW HAVEN RIVER BRIDGE NO.: 19 PROJECT NO.: BRP 0188 (8)		CHKD: M.W. DFTM: B.L.	JOB NO: 23459-015
	WING WALL ELEVATIONS & POST-TENSIONING POCKET DETAILS		DWG. NO: F4	