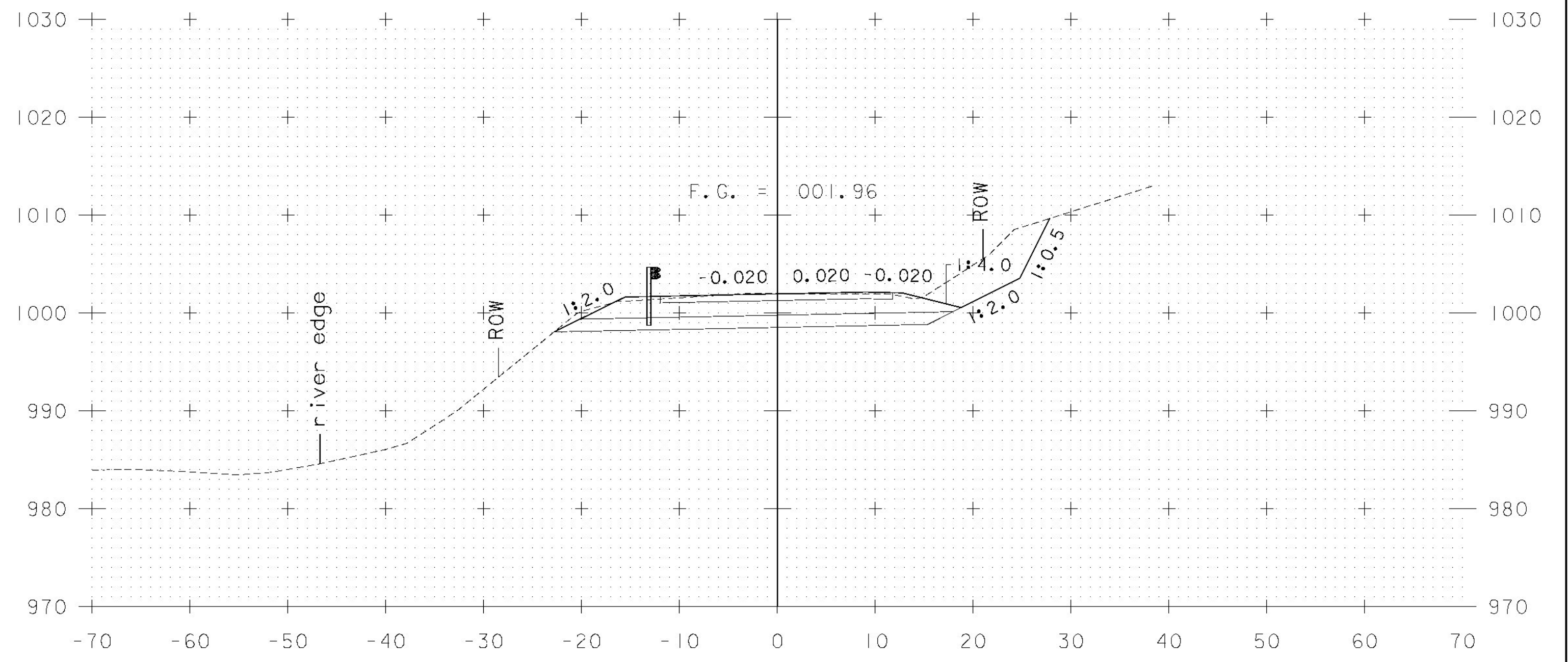
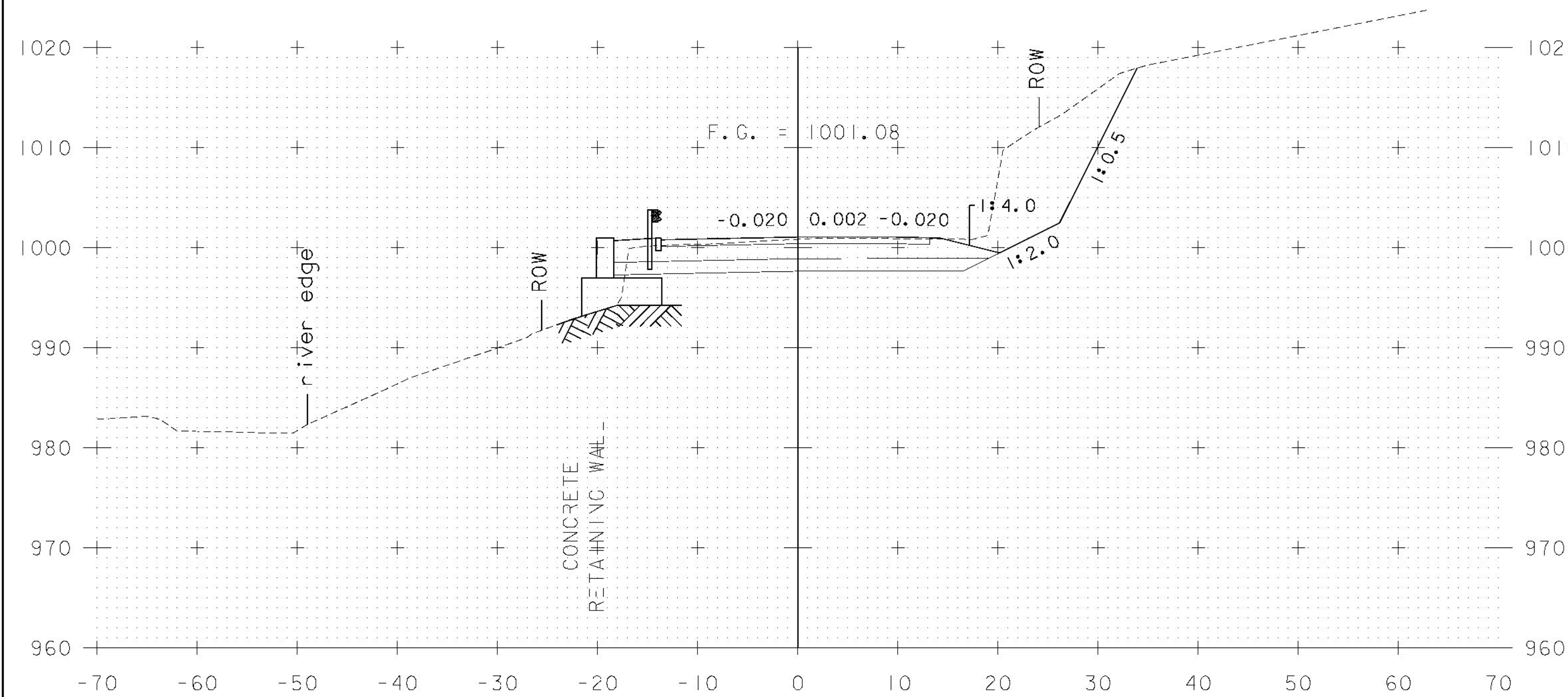


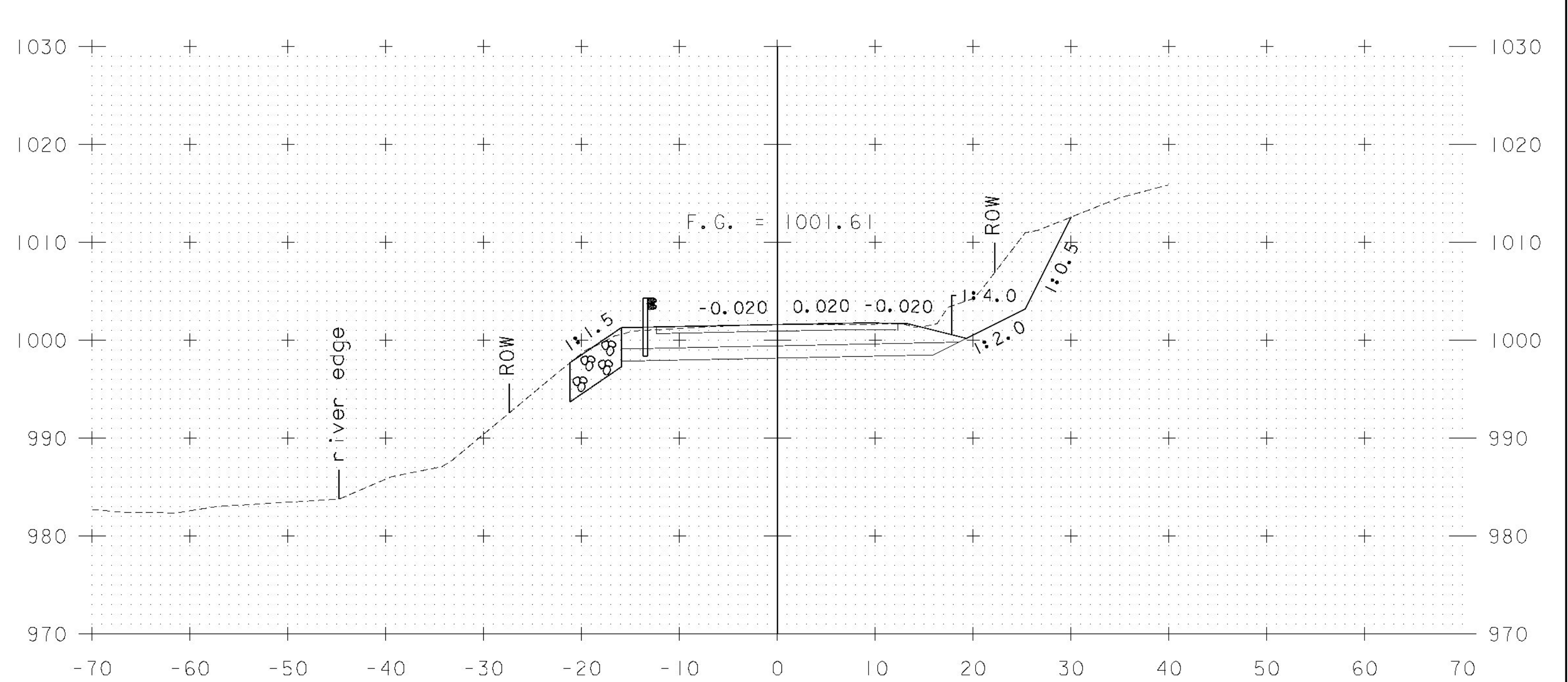
505+25



505+75



505+00



505+50

**MAINLINE CROSS SECTIONS  
STA. 505+00 - STA. 505+75**

PROJECT NAME: LINCOLN	PLOT DATE: 8-DEC-2014
PROJECT NUMBER: BRF 0188 (8)	DRAWN BY: C CARNEY
FILE NAME: z10j066xsl.dgn	CHECKED BY: R BENJAMIN
PROJECT LEADER: G.K. DONINGTON	SHEET 41 OF 62
DESIGNED BY: C CARNEY	
MAINLINE CROSS SECTIONS (6)	

