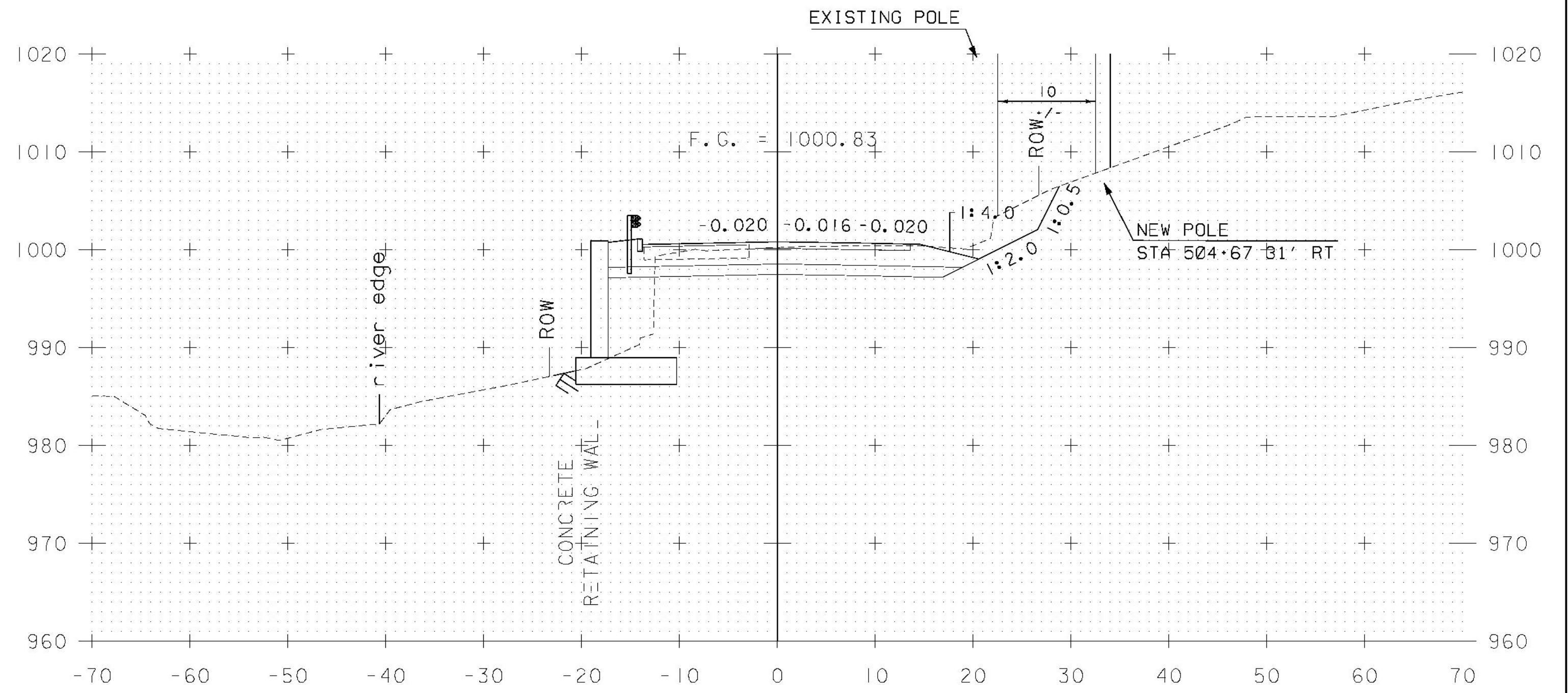
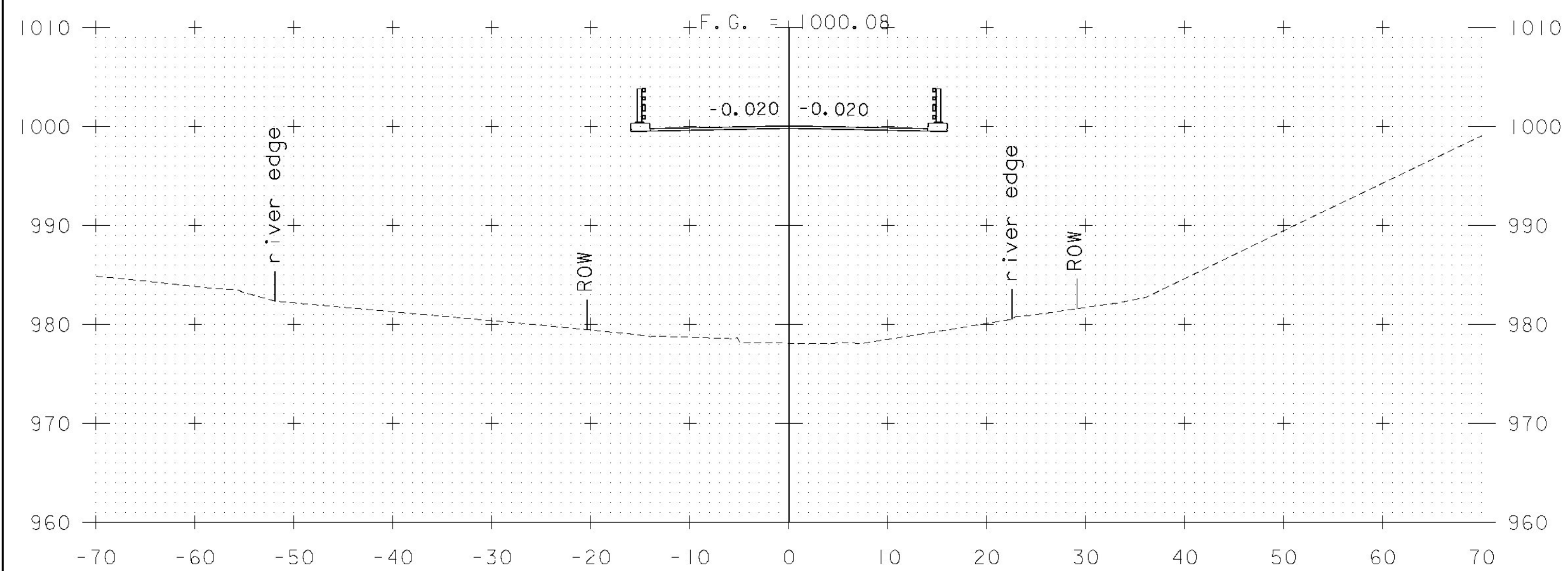


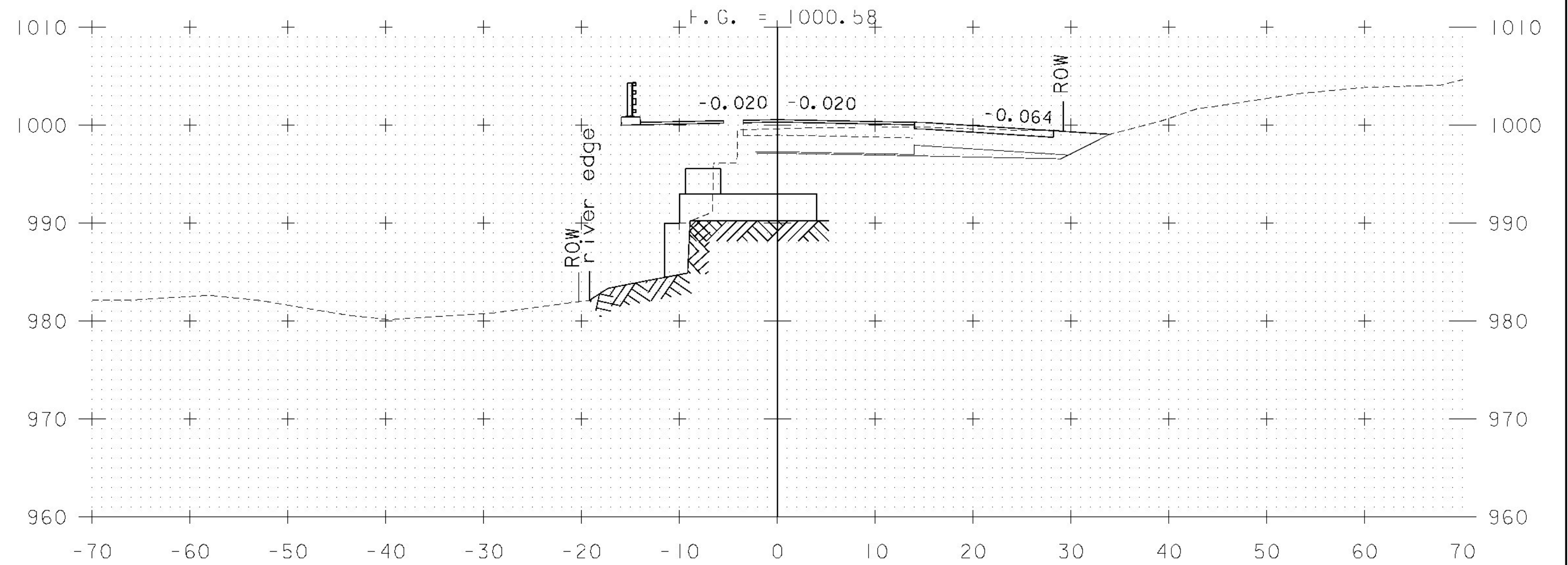
504+25



504+75



504+00



504+50

STA 504+46.35
END BRIDGE
RESUME ROADWAY

**MAINLINE CROSS SECTIONS
STA. 504+00 - STA. 504+75**

PROJECT NAME: LINCOLN	PLOT DATE: 8-DEC-2014
PROJECT NUMBER: BRF 0188 (8)	DRAWN BY: C CARNEY
FILE NAME: z10j066xsl.dgn	CHECKED BY: R BENJAMIN
PROJECT LEADER: G.K. DONINGTON	SHEET 40 OF 62
DESIGNED BY: C CARNEY	
MAINLINE CROSS SECTIONS (5)	

