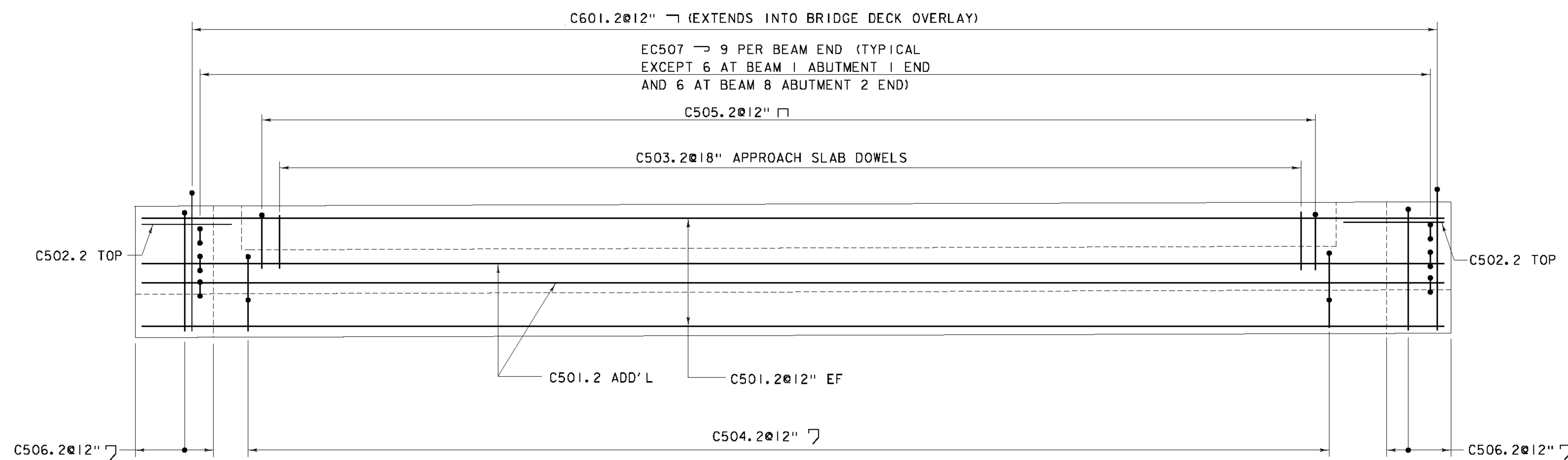
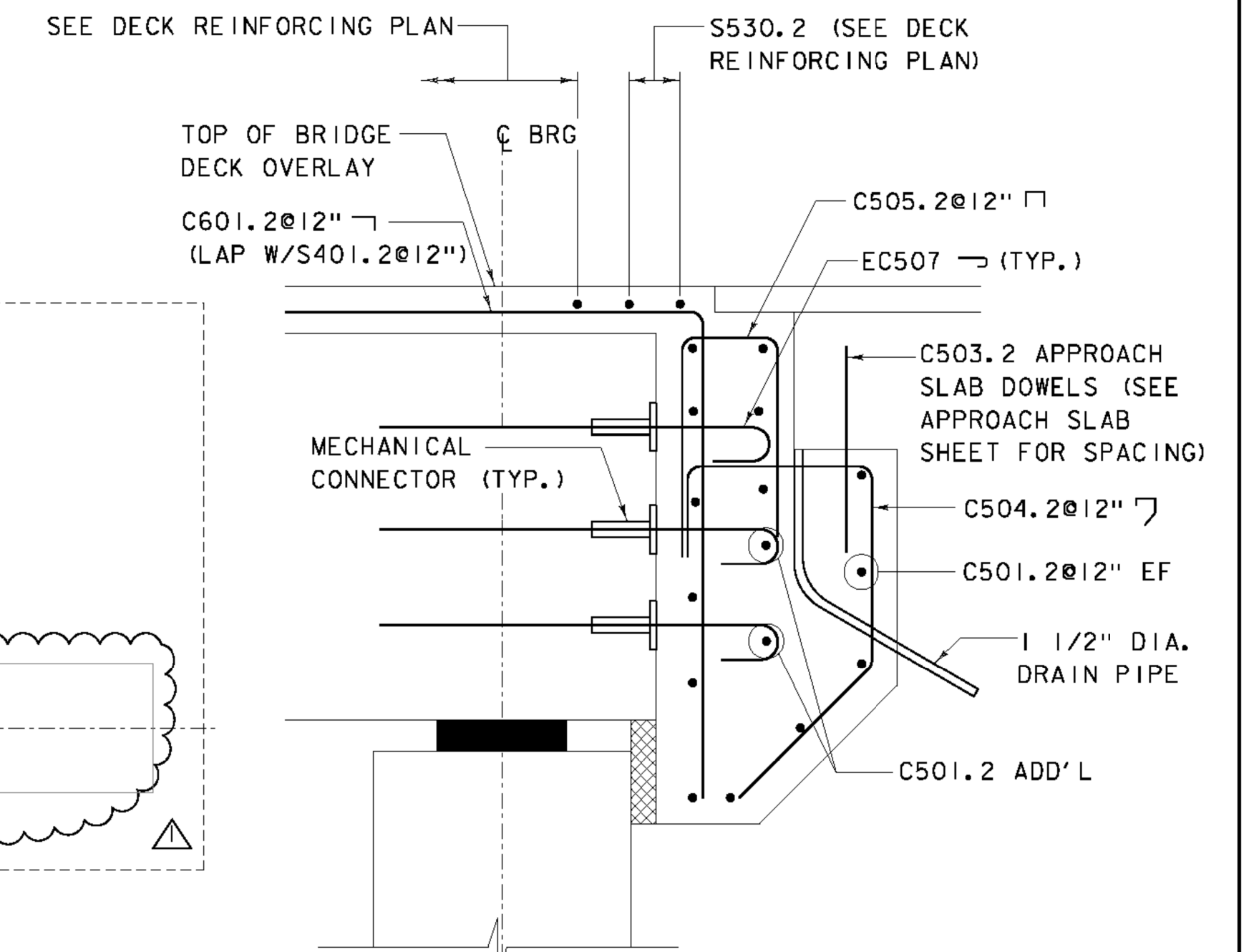


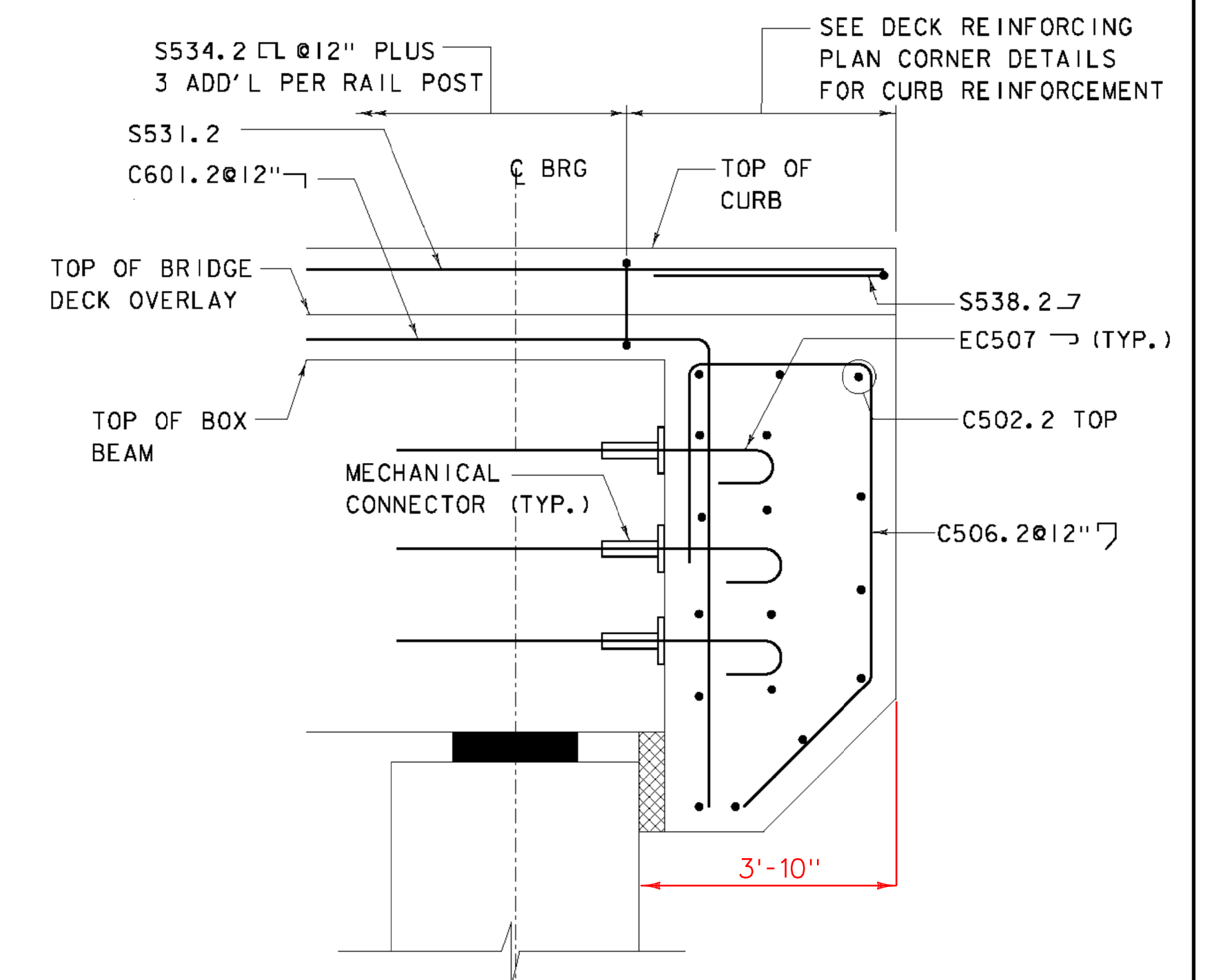
ABUTMENT #1 CURTAIN WALL REINFORCING PLAN
 (ABUTMENT #2 SIMILAR)
 SCALE: 3/8" = 1'-0"



ABUTMENT #1 CURTAIN WALL REINFORCING ELEVATION
 (ABUTMENT #2 SIMILAR)



SECTION A-A
 SCALE: 3/4" = 1'-0"



SECTION B-B
 SCALE: 3/4" = 1'-0"

△ REVISED PRECAST ABUTMENT CONNECTORS - 1/22/2015



PROJECT NAME:	LINCOLN	FILE NAME:	z10J066sub3.dgn	PLOT DATE:	8-DEC-2014
PROJECT NUMBER:	BRF 0188 (8)	PROJECT LEADER:	K DONINGTON	DRAWN BY:	W GERHOLD
		DESIGNED BY:	K JAMES	CHECKED BY:	R GAUDREAU
		CURTAIN WALL DETAILS SHEET		SHEET 34	OF 62