

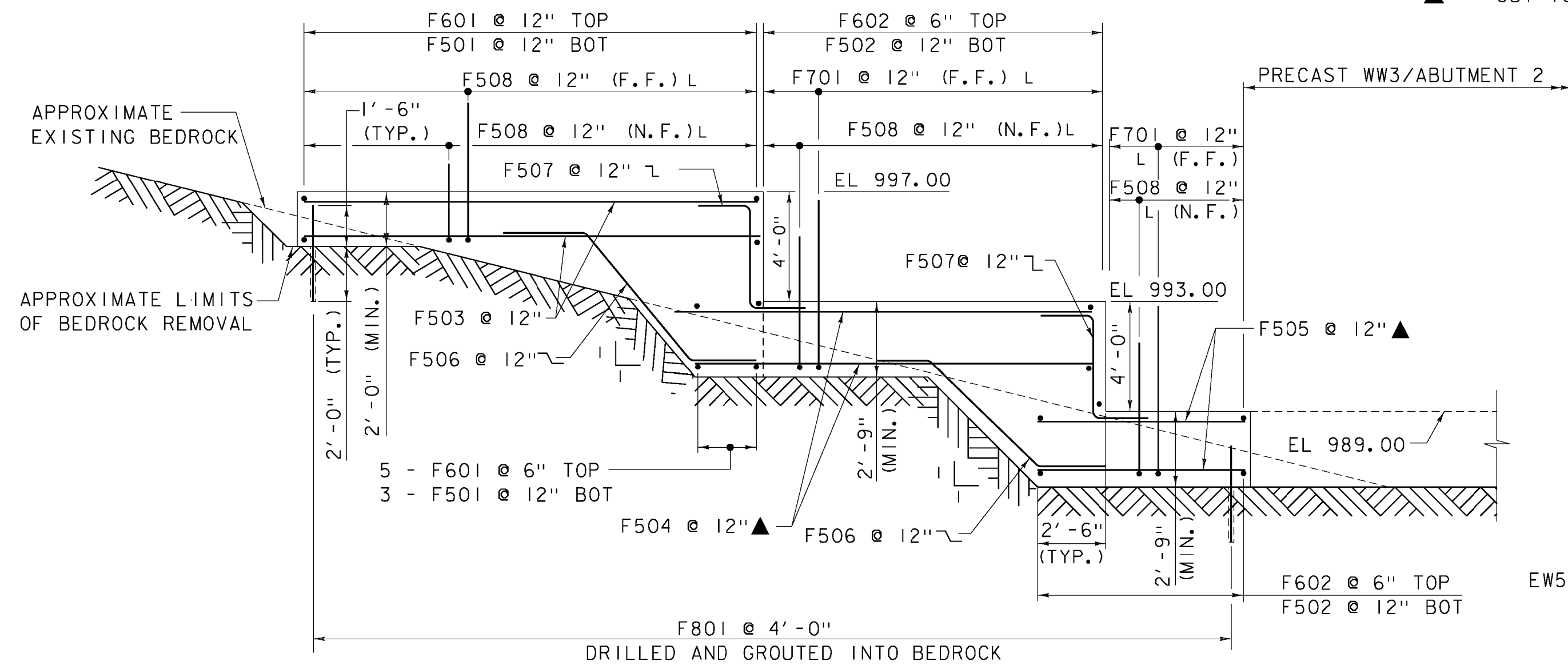
FOOTING PLAN - CAST-IN-PLACE RETAINING WALL

SCALE: 1/4" = 1'-0"

* DIMENSIONS TAKEN ALONG FACE OF WALL

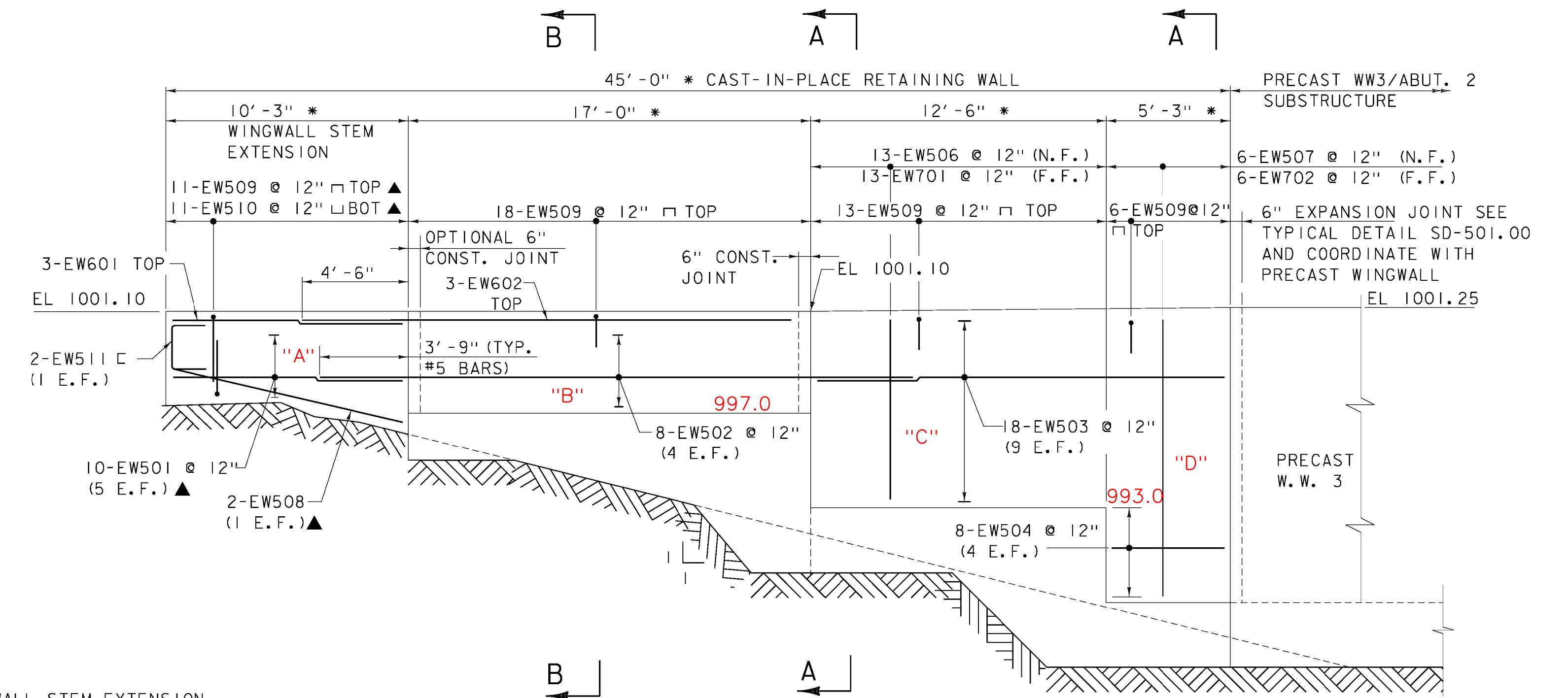
NOTES:

1. BARS IN WINGWALL STEM EXTENSION SHALL BE FABRICATED AT MAXIMUM REQUIRED LENGTH AND SHALL BE CUT TO FIT IN THE FIELD AS REQUIRED.
2. WINGWALL STEM EXTENSION SHALL BE CAST DIRECTLY ON BEDROCK. BEDROCK PROFILES VARYING SUBSTANTIALLY FROM THAT SHOWN SHALL BE DISCUSSED WITH AND ANY MODIFICATIONS SHALL BE APPROVED BY RESIDENT ENGINEER PRIOR TO PLACEMENT OF WINGWALL STEM EXTENSION.
3. PRECAST W.W.3 SHALL BE PLACED PRIOR TO PLACING CONCRETE IN ADJACENT CAST-IN-PLACE RETAINING WALL.
4. N.F. = NEAR FACE, F.F. = FAR FACE, E.F. = EACH FACE
▲ = CUT TO FIT IN FIELD.



FOOTING ELEVATION - CAST-IN-PLACE RETAINING WALL

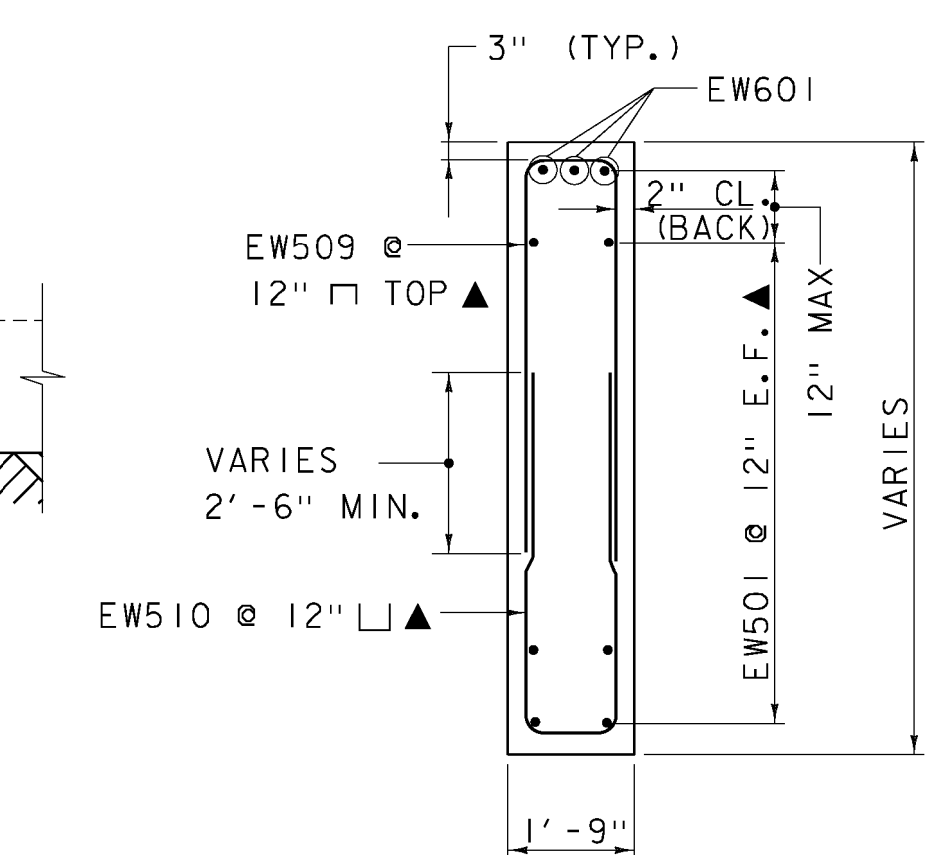
SCALE: 1/4" = 1'-0"



ELEVATION - CAST-IN-PLACE RETAINING WALL

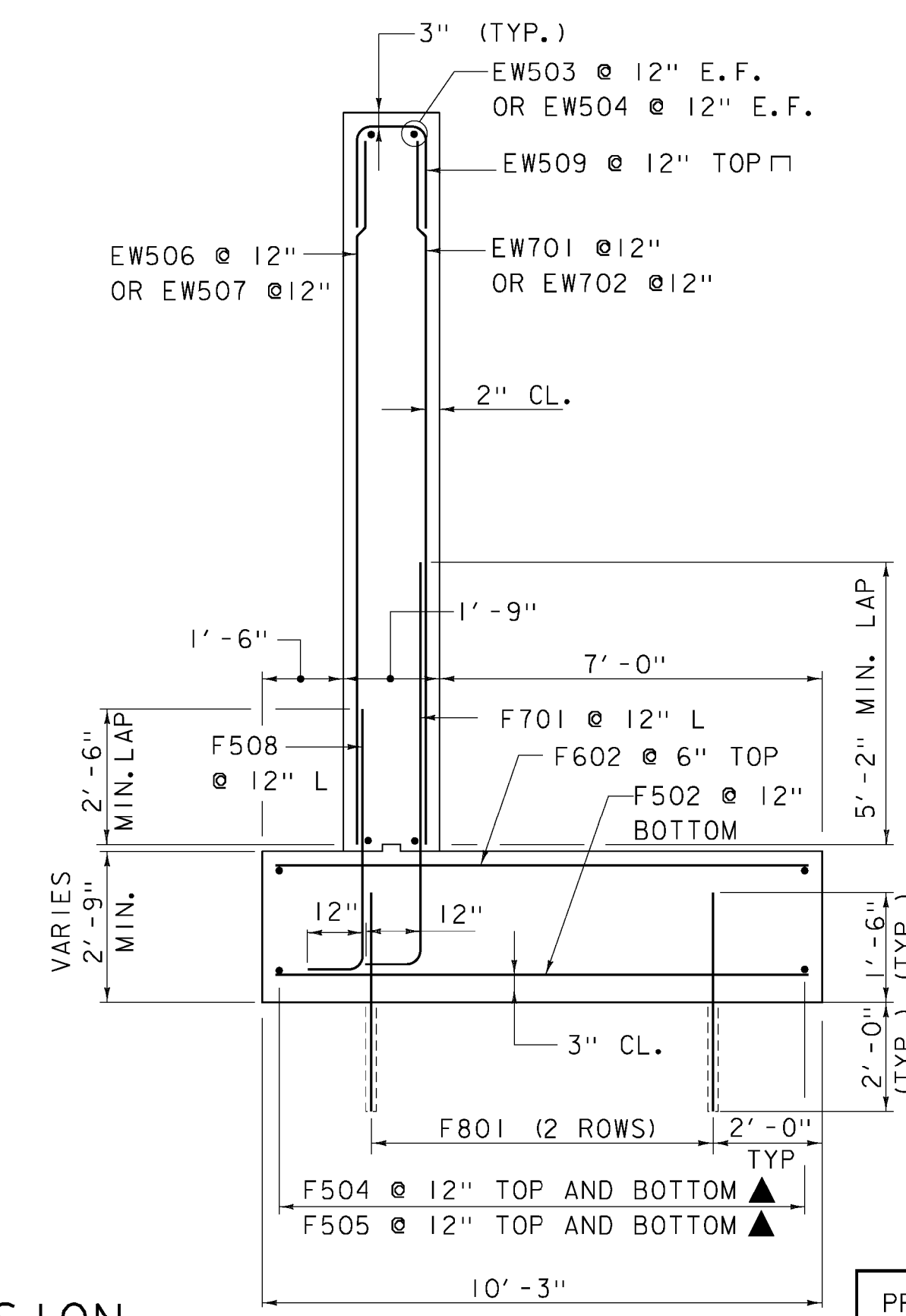
SCALE: 1/4" = 1'-0"

* DIMENSIONS TAKEN ALONG FACE OF WALL



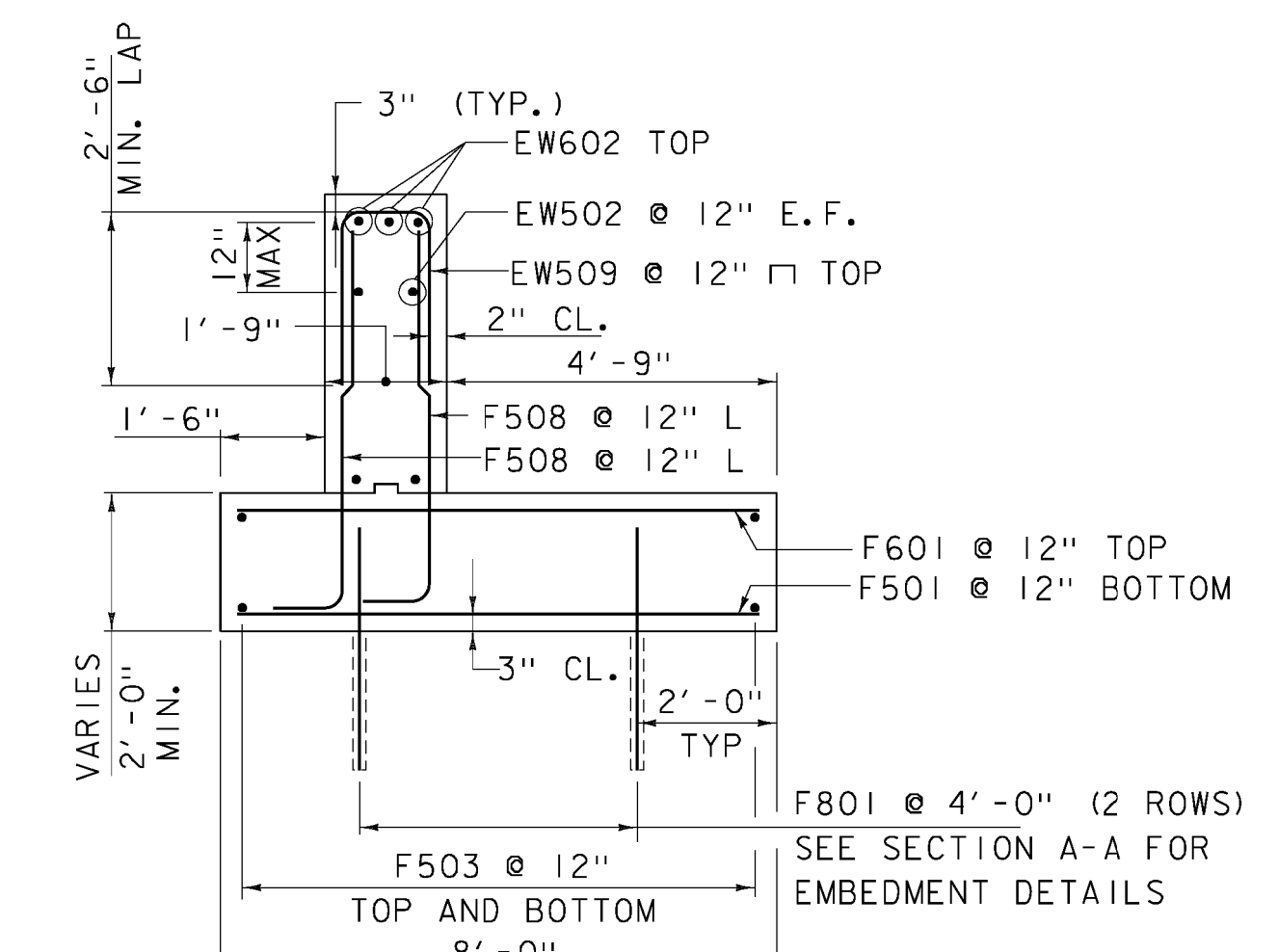
WINGWALL STEM EXTENSION TYPICAL SECTION

SCALE: 3/8" = 1'-0"



SECTION A-A

SCALE: 3/8" = 1'-0"



SECTION B-B

SCALE: 3/8" = 1'-0"



PROJECT NAME:	LINCOLN	FILE NAME:	z10j066sub.dgn	PLOT DATE:	8-DEC-2014
PROJECT NUMBER:	BRF 0188 (8)	PROJECT LEADER:	G.K. DONINGTON	DRAWN BY:	W GERHOLD
		DESIGNED BY:	R GAUDREAU	CHECKED BY:	K JAMES
		RETAINING WALL DETAILS SHEET		SHEET 33	OF 62