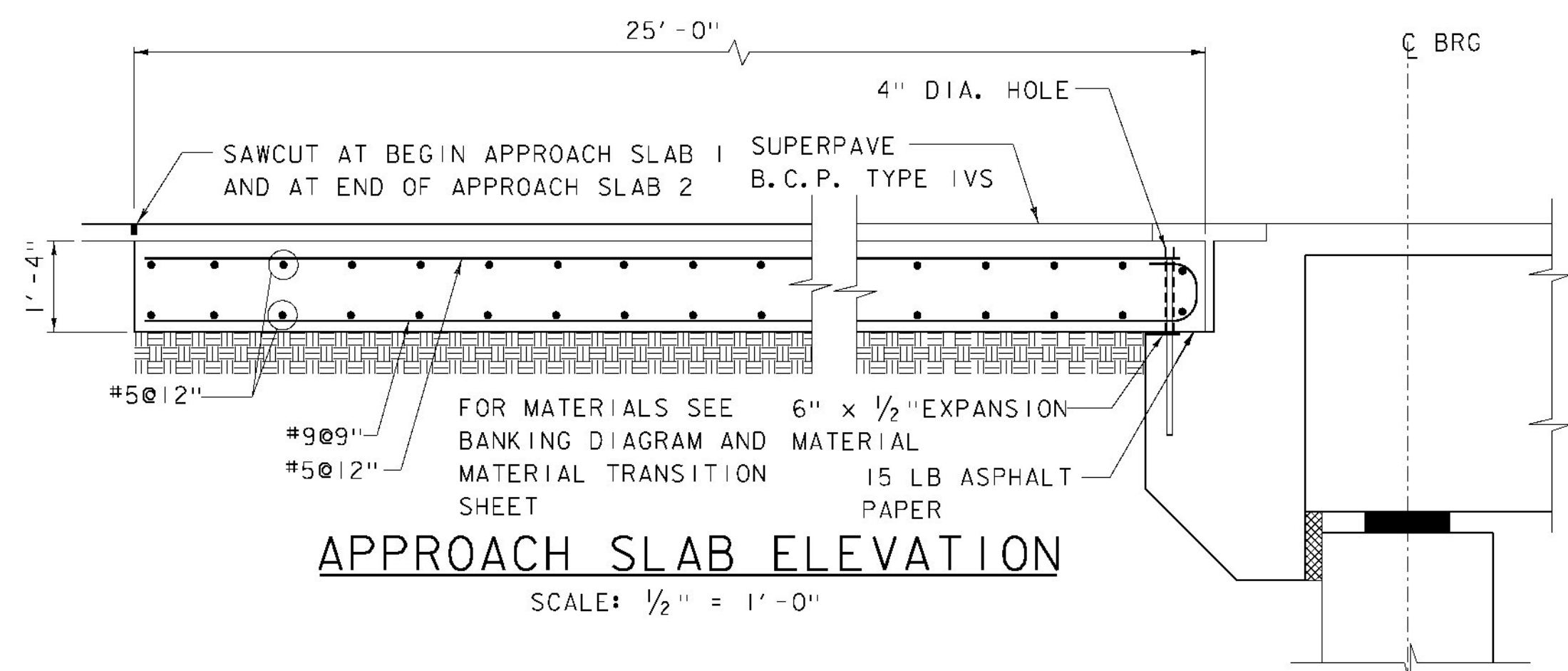
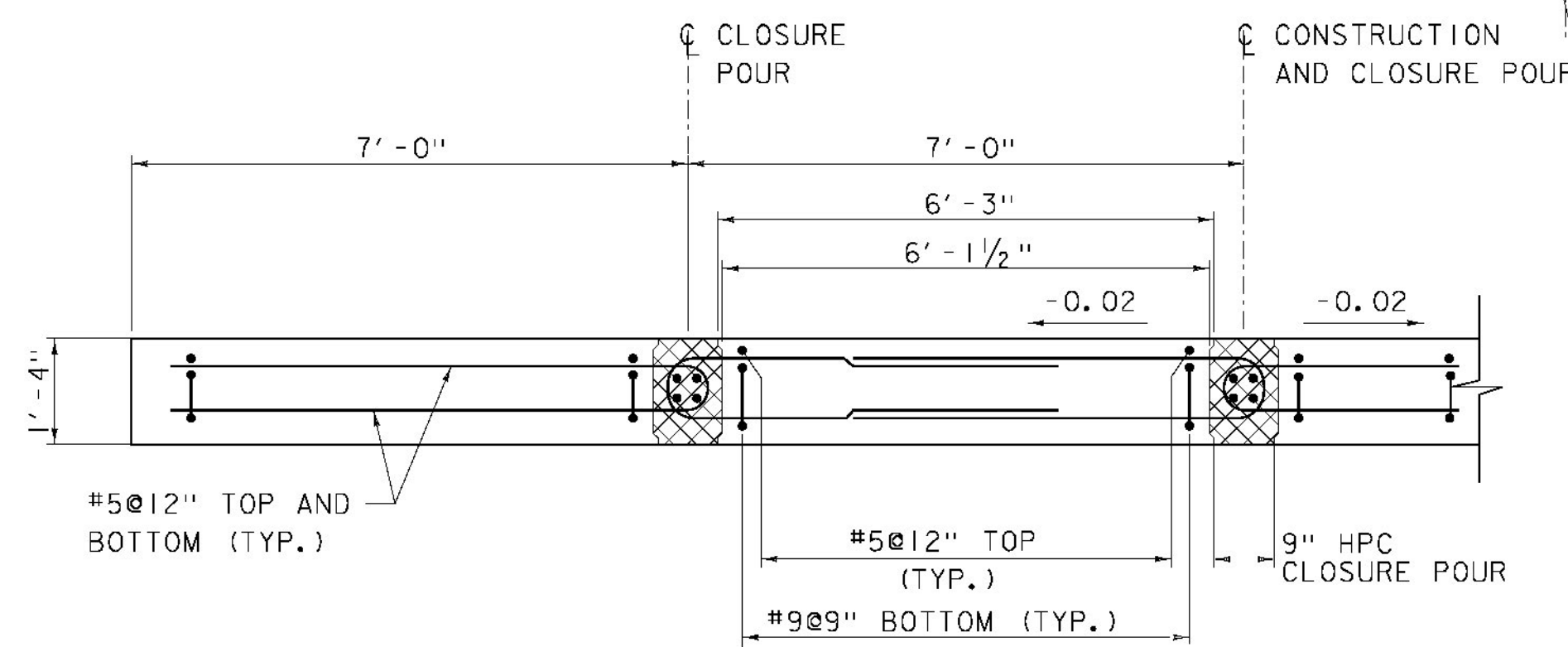


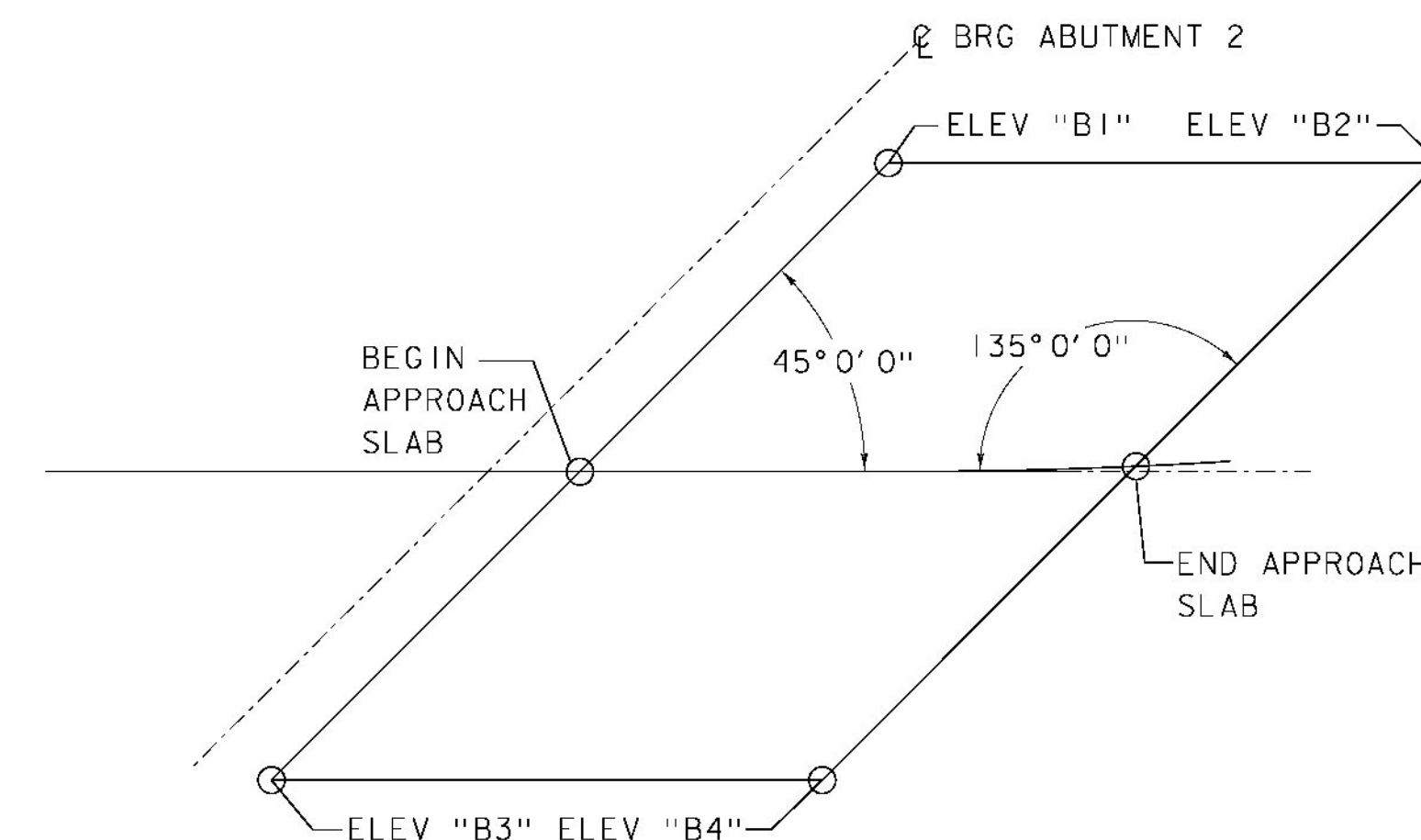
**APPROACH SLAB 1 - PLAN**  
SCALE: 1/4" = 1'-0"



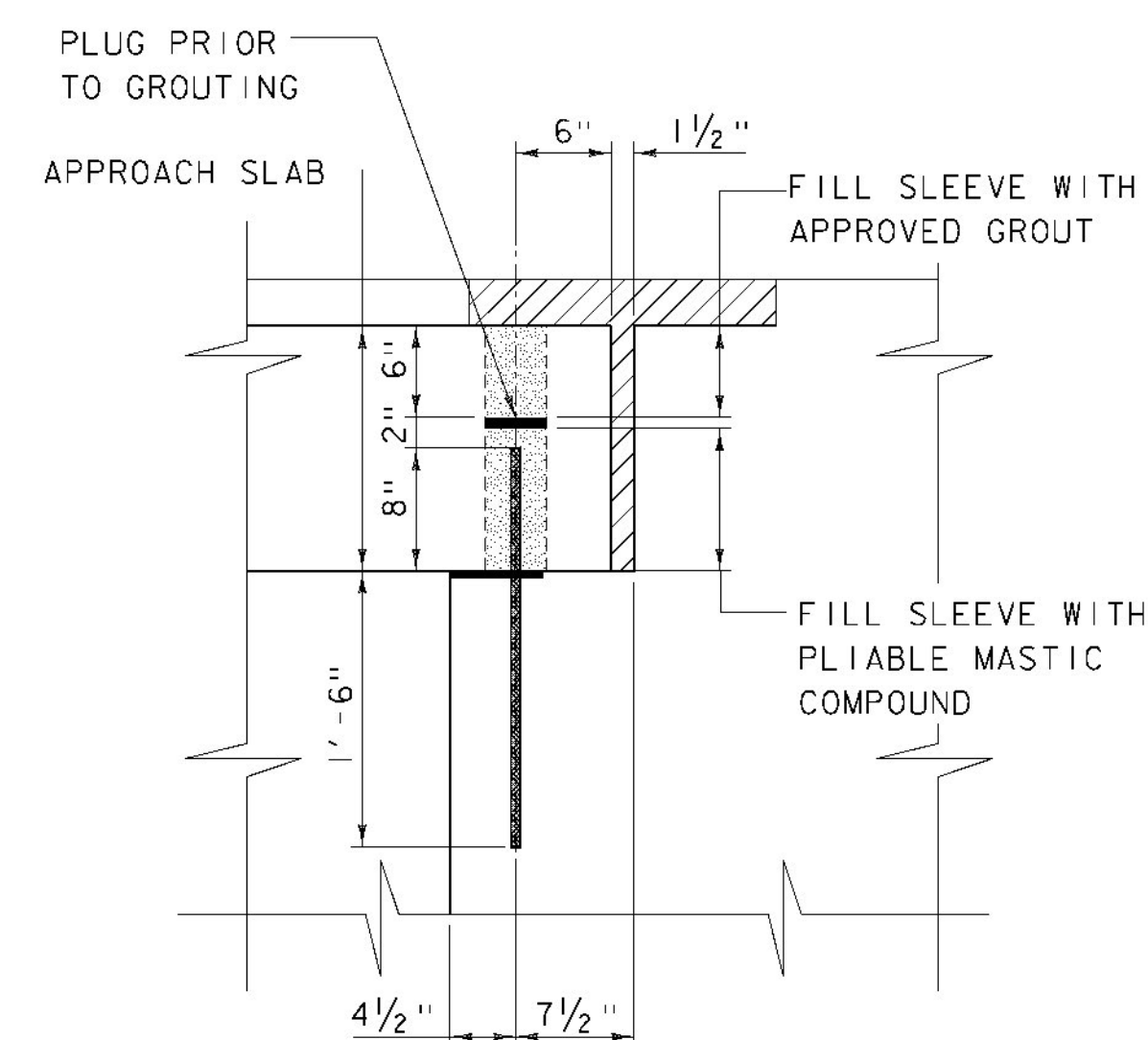
**APPROACH SLAB ELEVATION**  
SCALE: 1/2" = 1'-0"



**SECTION A-A**  
SCALE: 1/2" = 1'-0"

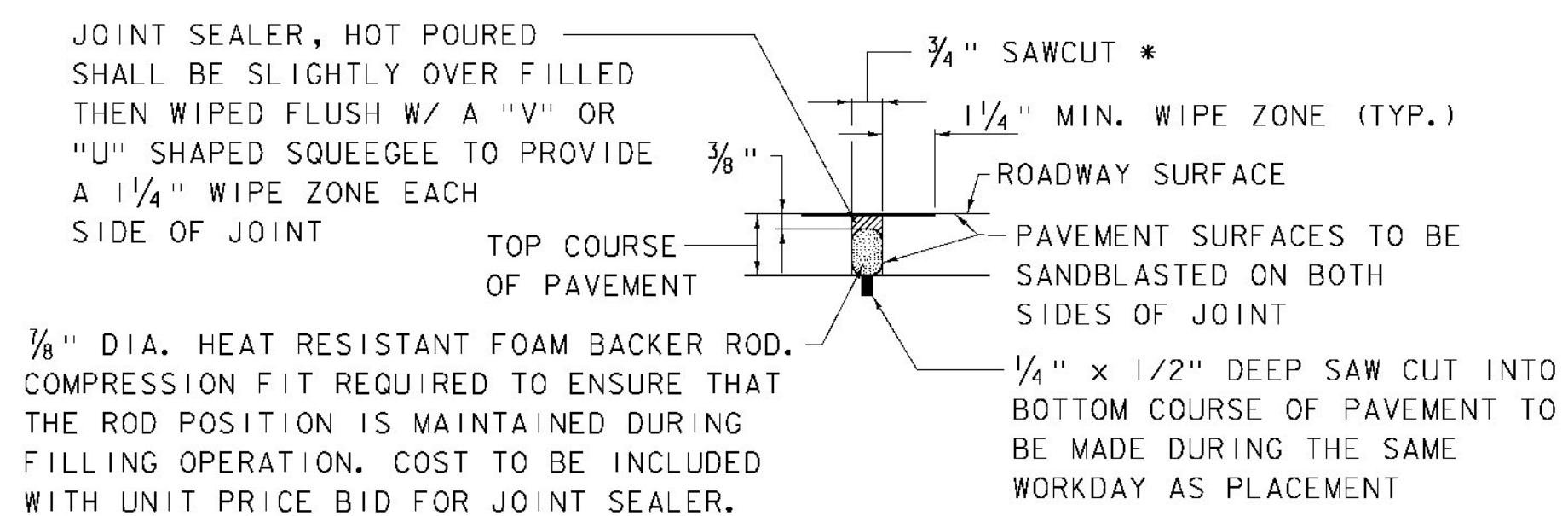


**APPROACH SLAB 2 - PLAN**  
SCALE: 1/8" = 1'-0"



**APPROACH SLAB DOWEL DETAIL**  
SCALE: 1" = 1'-0"

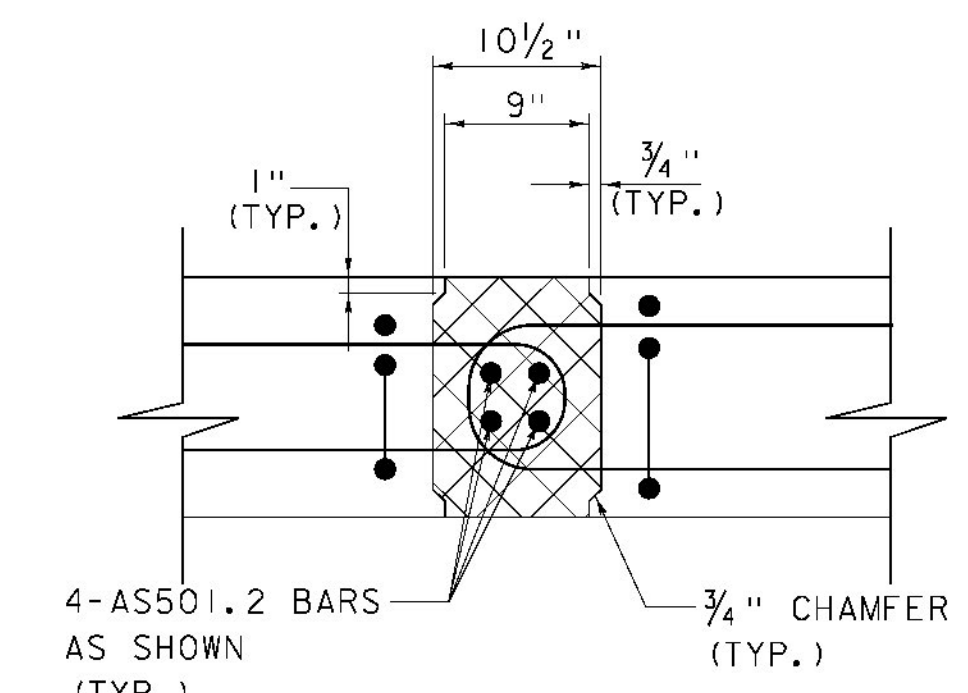
NOTE:  
THE APPROACH SLAB DOWELS SHALL BE CAST INTO THE CURTAIN WALL APPROACH SLAB SEAT. THE BOTTOM LENGTH OF THE SLEEVE WITHIN THE APPROACH SLAB SHALL BE FILLED WITH A PLIABLE MASTIC COMPOUND. THE UPPER PORTION SHALL BE PLUGGED AND THEN FILLED WITH AN APPROVED GROUT. ALL COSTS ASSOCIATED WITH THIS WORK SHALL BE INCLUDED IN THE UNIT PRICE BID FOR ITEM 540.10 PRECAST CONCRETE STRUCTURE (APPROACH SLAB #1) OR (APPROACH SLAB #2) AS APPROPRIATE.



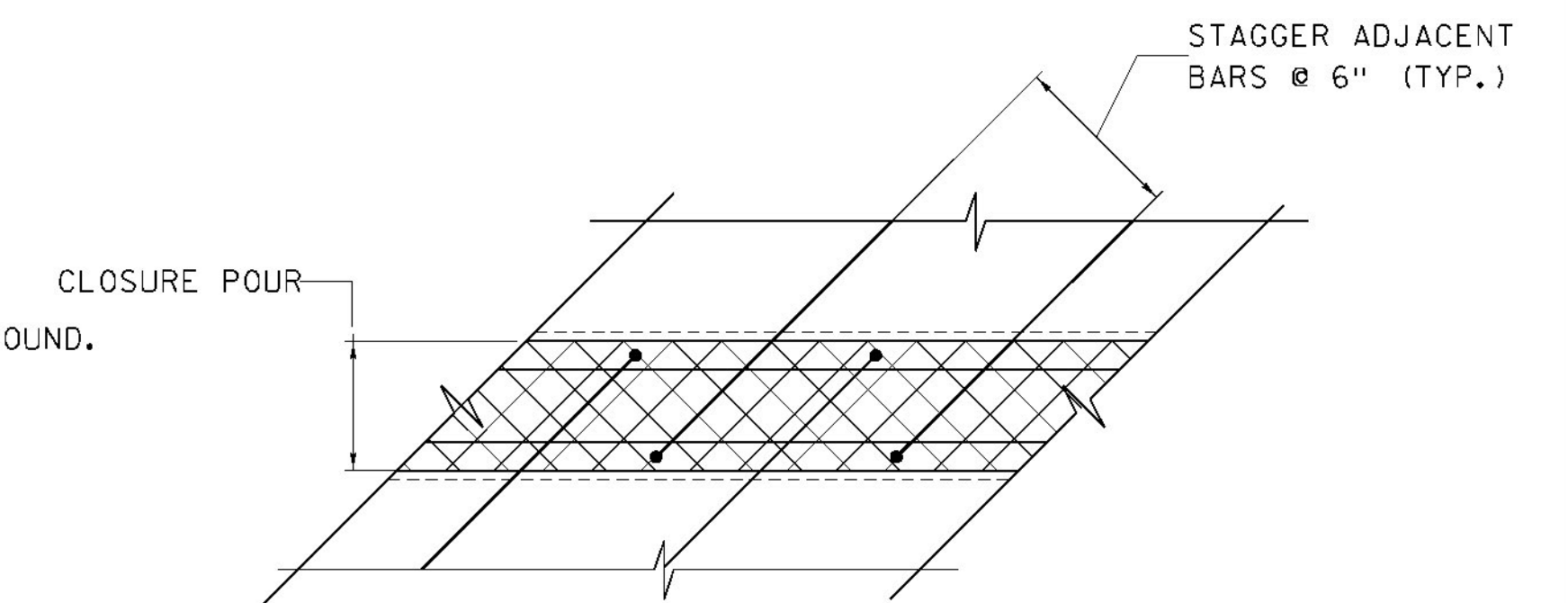
**SAWED PAVEMENT JOINT DETAIL**  
SCALE: 3" = 1'-0"

\* JOINT IS TO BE LOCATED ACCURATELY BY STRING LINING, OR OTHER MEANS, PRIOR TO PAVING, SO THAT THE SAW CUTS WILL BE MADE DIRECTLY OVER THE END OF THE CONCRETE APPROACH SLAB. JOINT SHALL BE CUT DRY IN SINGLE PASS AND BE SEALED WITHIN 24 HOURS OR PRIOR TO EXPOSURE TO TRAFFIC. JOINT SHALL BE CLEANED PRIOR TO APPLYING THE JOINT SEALER.

	STATION	OFFSET	ELEVATION
A1	503+07.17	14.00' LT	998.62
A2	503+32.17	14.00' LT	998.87
BEGIN AS 1	502+92.89	0.00'	998.76
END AS 1	503+18.16	0.00'	999.01
A3	502+77.72	12.60' RT	998.35
A4	503+04.16	14.00' RT	998.59
B1	504+60.53	14.00' LT	1000.15
B2	504+86.95	12.68' LT	1000.44
BEGIN AS 2	504+46.53	0.00'	1000.29
END AS 2	504+71.78	0.00'	1000.54
B3	504+32.53	14.00' RT	999.87
B4	504+57.53	14.00' RT	1000.12



**JOINT DETAIL SECTION**  
SCALE: 1" = 1'-0"



**JOINT DETAIL PLAN**  
SCALE: 1" = 1'-0"

**LEGEND**

SPECIAL PROVISION (HIGH PERFORMANCE CONCRETE, (RAPID SET) (FPQ)

**PB** PARSONS BRINCKERHOFF  
650 ELM STREET  
MANCHESTER, NH 03101

PROJECT NAME: LINCOLN  
PROJECT NUMBER: BRF 0188 (8)

FILE NAME: z10j066appslab.dgn  
PROJECT LEADER: G.K. DONINGTON  
DESIGNED BY: K JAMES  
APPROACH SLAB DETAILS

PLOT DATE: 8-DEC-2014  
DRAWN BY: W GERHOLD  
CHECKED BY: R GAUDREAU  
SHEET 26 OF 62