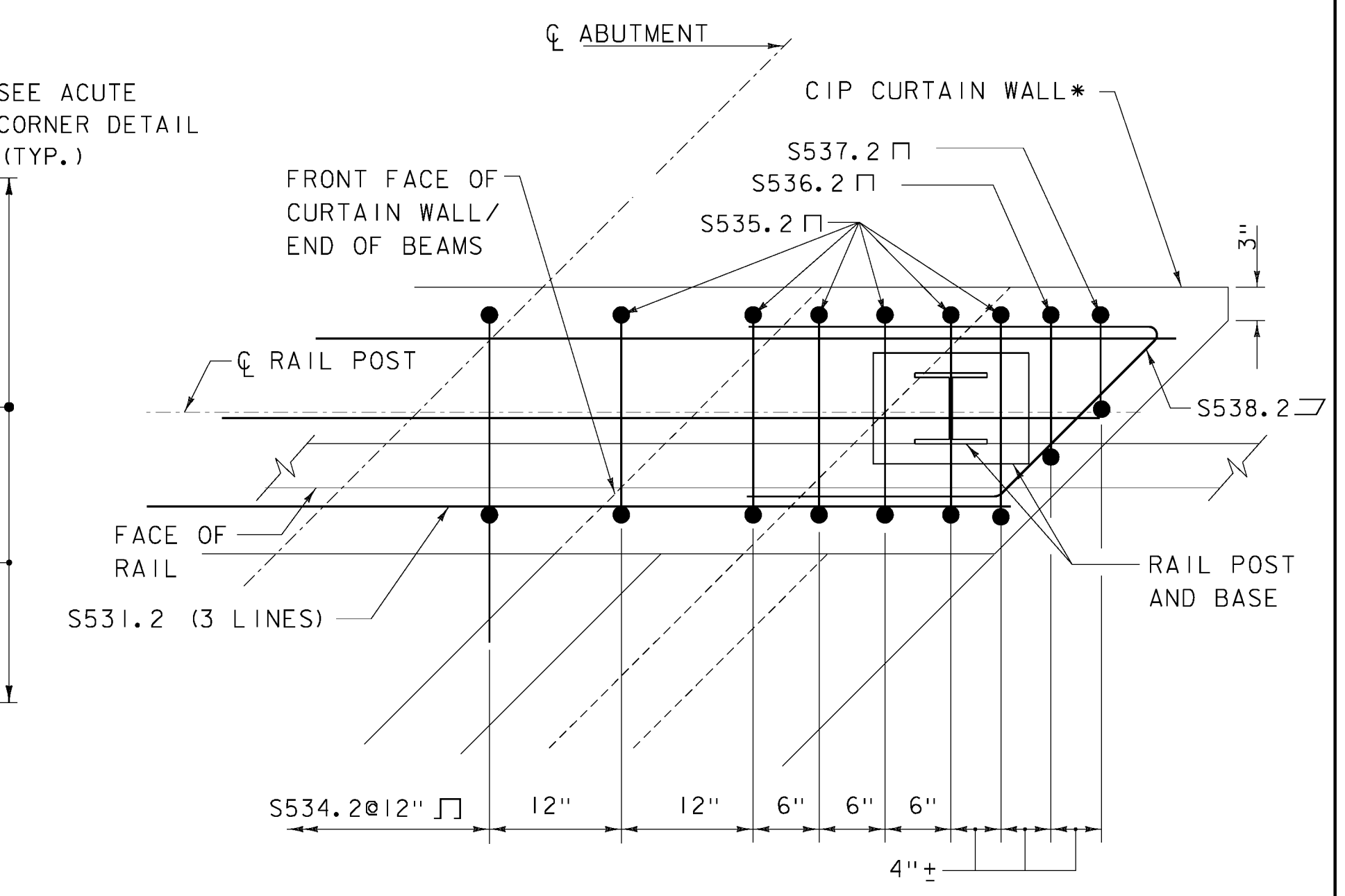
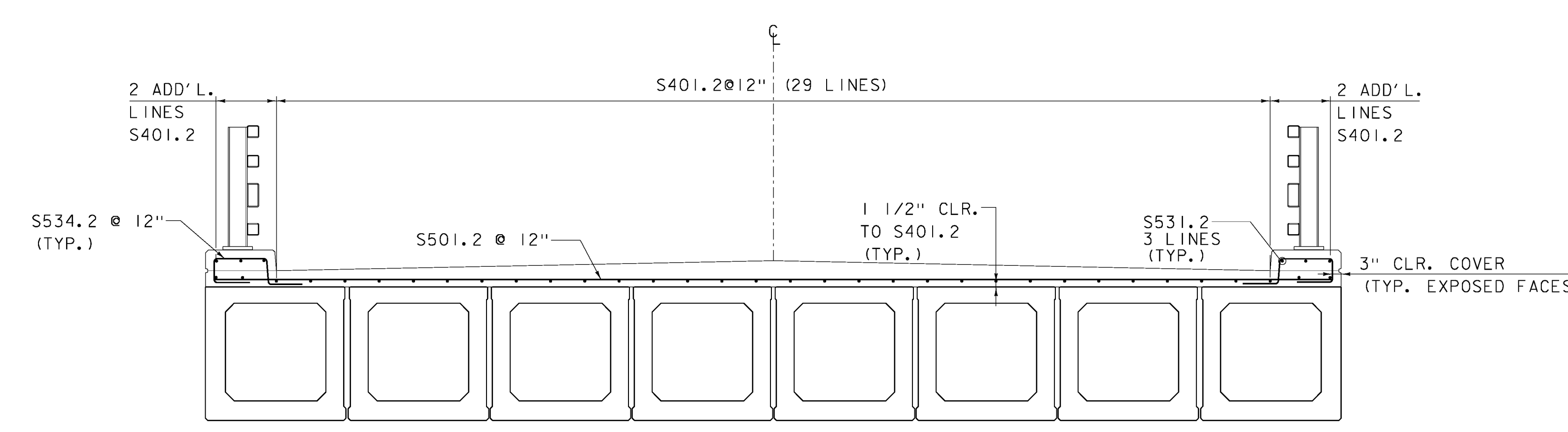


DECK REINFORCING PLAN
SCALE: 1/8" = 1'-0"

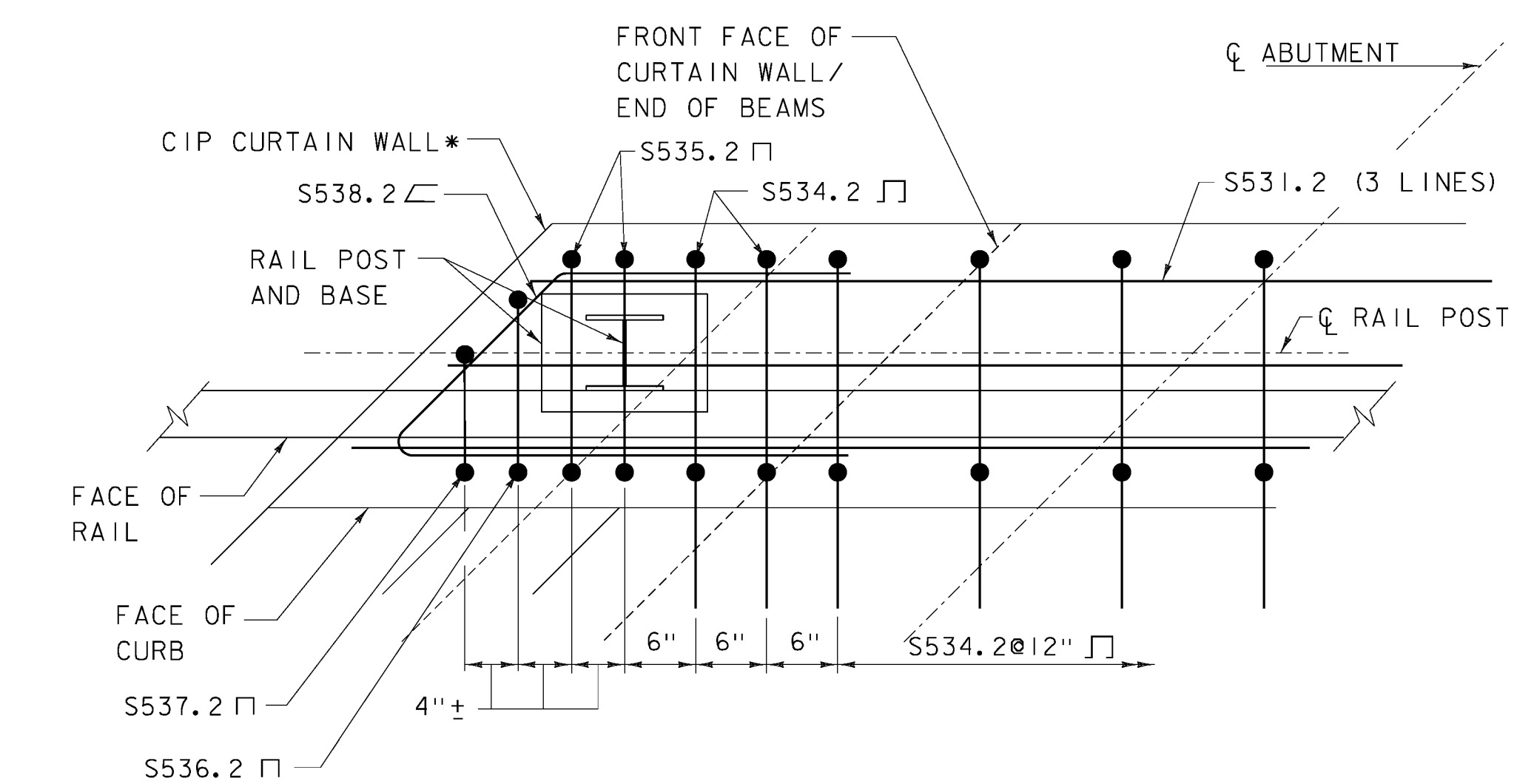


ACUTE CORNER DETAIL
SCALE: 1" = 1'-0"



DECK REINFORCING TYPICAL SECTION
SCALE: 3/8" = 1'-0"

NOTE:
ANCHOR ASSEMBLY FOR EACH BRIDGE RAIL POST SHALL BE INSTALLED
PRIOR TO PLACEMENT OF BRIDGE DECK OVERLAY.



OBTUSE CORNER DETAIL
SCALE: 1" = 1'-0"

* SEE CURTAIN WALL DETAILS SHEET FOR
REINFORCEMENT IN CURTAIN WALL.



PROJECT NAME:	LINCOLN
PROJECT NUMBER:	BRF 0188 (8)
FILE NAME:	z10j066sup2.dgn
PROJECT LEADER:	G.K. DONINGTON
DESIGNED BY:	R. GAUDREAU
DECK REINFORCEMENT SHEET	
PLOT DATE:	8-DEC-2014
DRAWN BY:	R. GAUDREAU
CHECKED BY:	A. STOCKIN
SHEET	22 OF 62